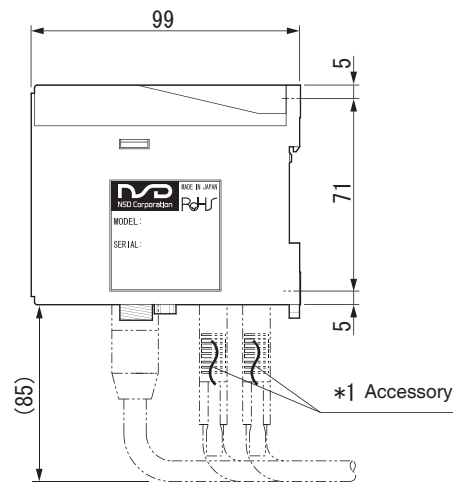
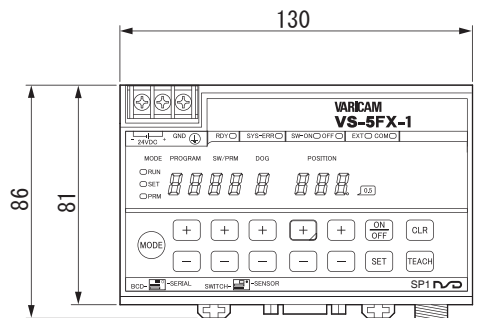
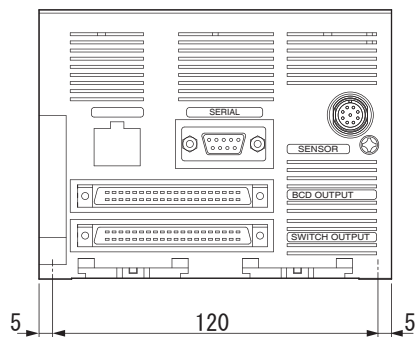
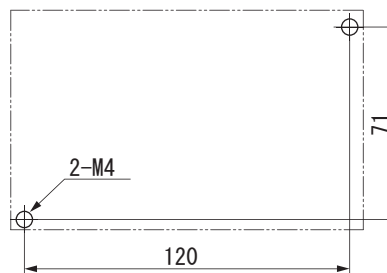


Units: mm

● VS-5FX (-1)



● Mounting hole



\*1: Accessory Solder connector: FCN-361J040-AU Cover : FCN-360C040-E