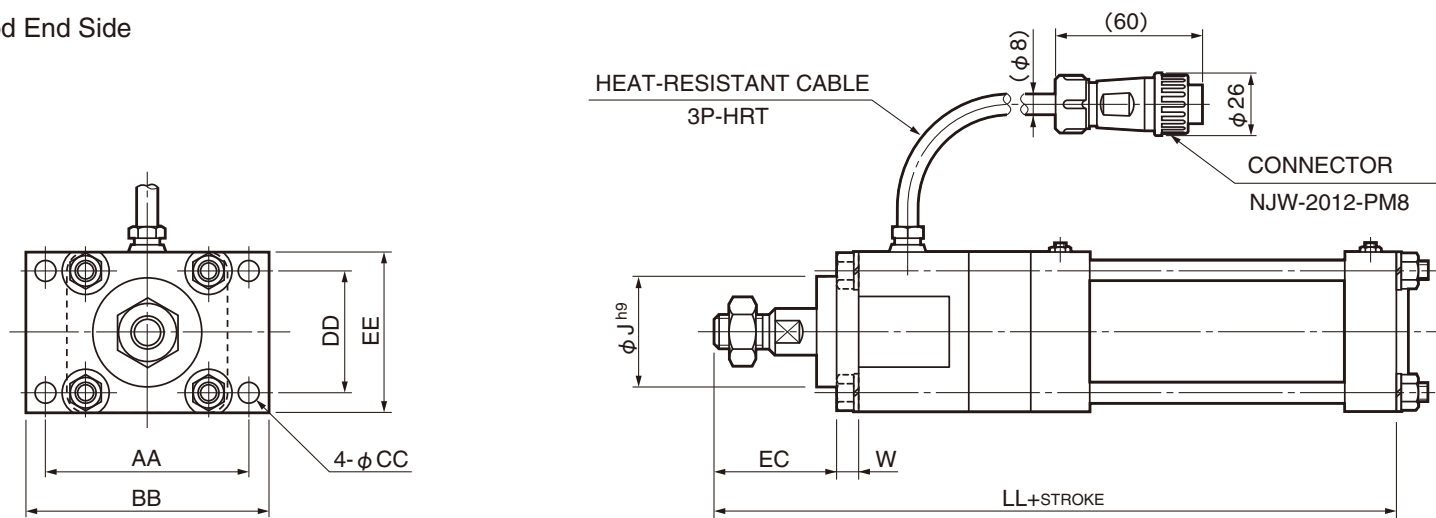


● **SCHH** [FA] Flange on Rod End Side

● **SCAH** [FA] Flange on Rod End Side



Bore size	AA	BB	CC	DD	EC	EE	J	LL	W
40	77	95	9	44	47	60	45	243	14
50	95	115	11	53	49	73	50	253	16
63	102	122	11	60	54	80	55	262	16
80	130	155	13	75	63	100	65	287	20
100	145	172	13	90	70	118	80	305	20