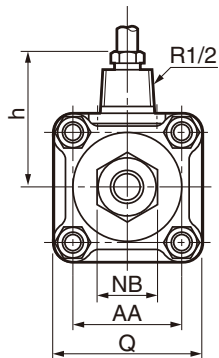
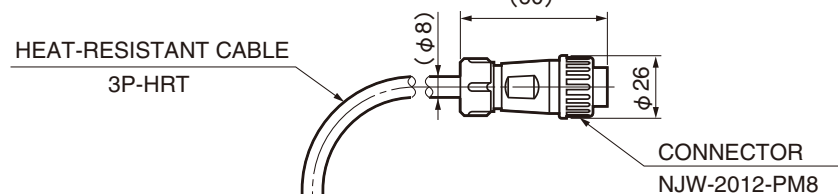
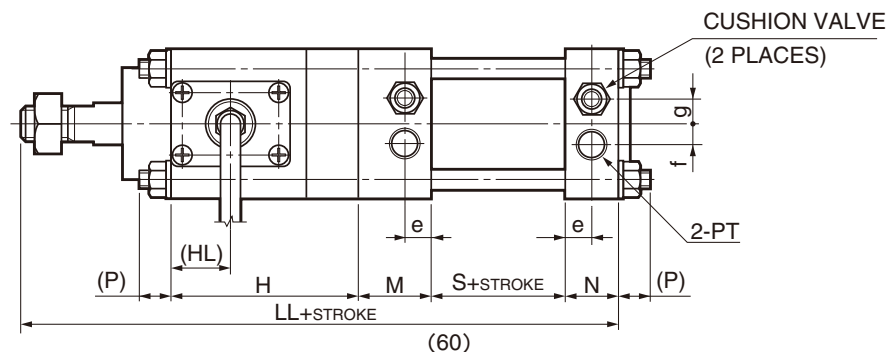


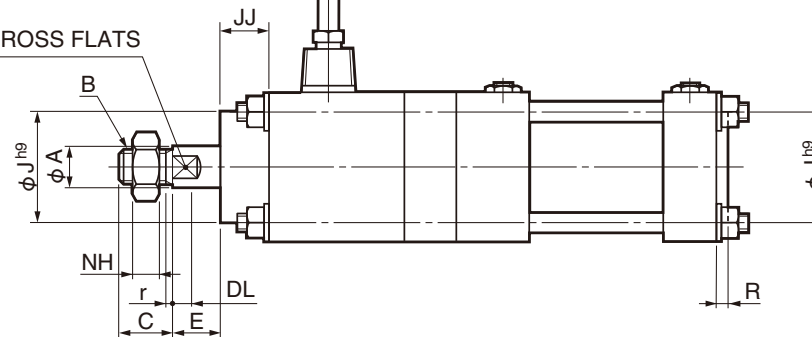
Units: mm

● **SCHH** [OO] Basic Type

● **SCAH** [OO] Basic Type



D:  
WIDTH ACROSS FLATS



Bore size	A	B	C	D	ℓ	DL	E	H	HL	J	JJ	LL	M	N	P	PT	Q	S	AA	NB	NH	R	e	f	g	h
40	17	M14X1.5	22	14	3	8	19	76	24	45	20	243	30	22	13	Rc 1/4	60	54	44	22	8	5	11	8	11	60
50	19	M18X1.5	28	17	3	10	17	76	24	50	20	253	30	26	16	Rc 3/8	73	56	53	27	11	5	13	10	11	60
63	21	M18X1.5	28	17	3	12	22	76	24	55	20	262	30	26	16	Rc 3/8	80	60	60	27	11	5	13	12	11	63
80	26	M22X1.5	36	22	3	16	22	77	24	65	25	287	35	30	19	Rc 1/2	100	62	75	32	13	6	15	16	11	67.5
100	34	M26X1.5	45	27	4	17	20	78	24	80	25	305	35	32	20	Rc 1/2	118	70	90	41	16	6	16	20	12	75