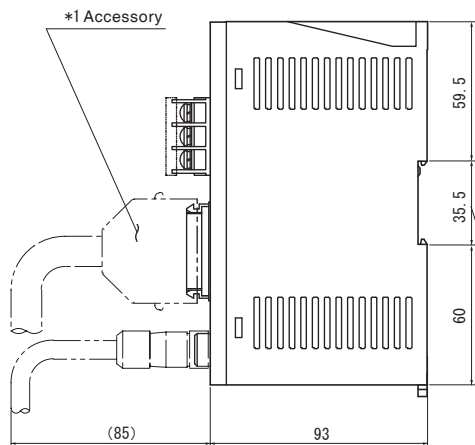
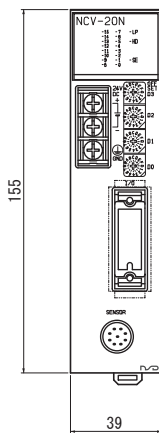


Units: mm

● NCV-20N



Mounting hole



*1 : Accessory Solderconnector : MR-25F

Cover : MR-25L+

DIN rail