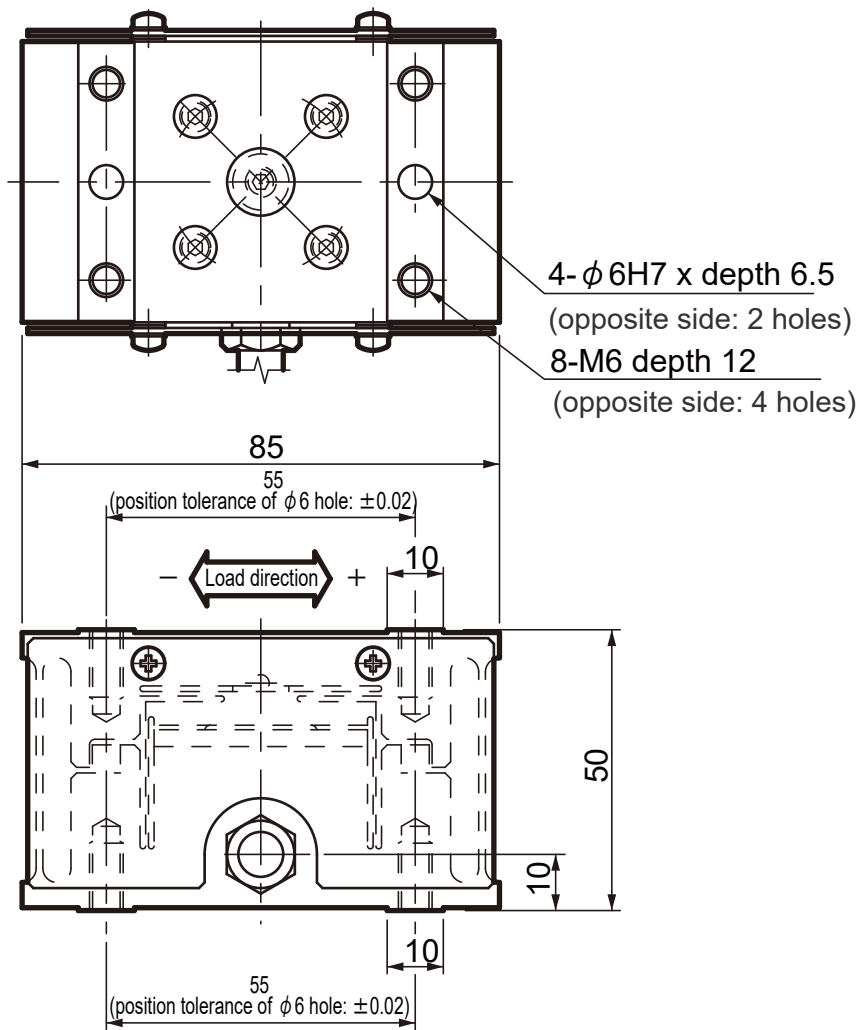


● TMS-S02[]/05[]



Note: In the factory setting mode, the amplifier output value will increase when the load is applied in the "+" direction of the double arrow sign.

