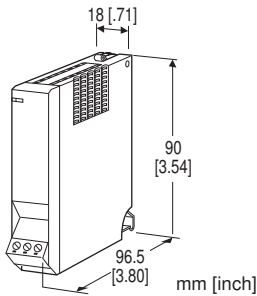


POWER SUPPLY MODULE

(for AC power use)

Functions & Features

- Supplying power to M6D, M6N, M6S series signal conditioners through an installation base (model: M6xBS-08A)
- Universal AC power input
- Power indicator LED



MODEL: M6-PSM[1]

ORDERING INFORMATION

- Code number: M6-PSM[1]
- Specify a code from below for [1].
(e.g. M6-PSM/Q)
- Specify the specification for option code /Q
(e.g. /C01)

POWER INPUT

AC Power

100 - 240 V AC (Operational voltage range 90 - 264 V,
47 - 66 Hz)

[1] OPTIONS

blank: none

/Q: With options (specify the specification)

SPECIFICATIONS OF OPTION: Q

COATING (For the detail, refer to M-System's web site.)

/C01: Silicone coating

/C02: Polyurethane coating

RELATED PRODUCTS

- Euro terminal ultra-slim signal conditioners M6D series
- Screw terminal ultra-slim signal conditioners M6N series
- Tension-clamp ultra-slim signal conditioners M6S series

GENERAL SPECIFICATIONS

Connection

Power input: Euro type connector terminal,
Applicable wire size: 0.2 - 2.5 mm² (AWG24 - 12), Stripped
length 7 mm

24 V DC power: Via the Installation Base (model: M6xBS-08A)

Housing material: Flame-resistant resin (black)

Isolation: 24 V DC power to power input

Power indicator LED: Green LED turns on when the power is
supplied.

INSTALLATION

Power Consumption

•AC:

Approx. 25 VA at 100 V

Approx. 30 VA at 200 V

Approx. 35 VA at 264 V

Operating temperature: -20 to +55°C (-4 to +131°F)

Operating humidity: 30 to 90 %RH (non-condensing)

Mounting: Installation Base (model: M6xBS-08A)

Weight: 200 g (0.44 lb)

PERFORMANCE

Output: 24 V ±1 V DC, 400 mA (continuance)

Arrange in order that the total current consumed by the
signal conditioners is within this capacity.

Insulation resistance: ≥ 100 MΩ with 500 V DC

Dielectric strength: 2000 V AC @1 minute (24 V DC power
to power input to ground)

STANDARDS & APPROVALS

EU conformity:

EMC Directive

EMI EN 61000-6-4

EMS EN 61000-6-2

Low Voltage Directive

EN 61010-1

Installation Category II

Pollution Degree 2

24 V DC power to power input:

Reinforced insulation (300 V)

RoHS Directive

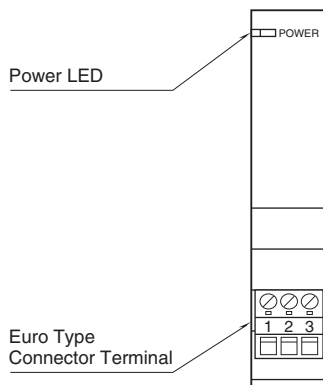
CURRENT CONSUMPTION

In order to operate M6x signal conditioners, it is required that the total maximum current of the signal conditioners is not more than the continuous output current (400mA) of M6-PSM.

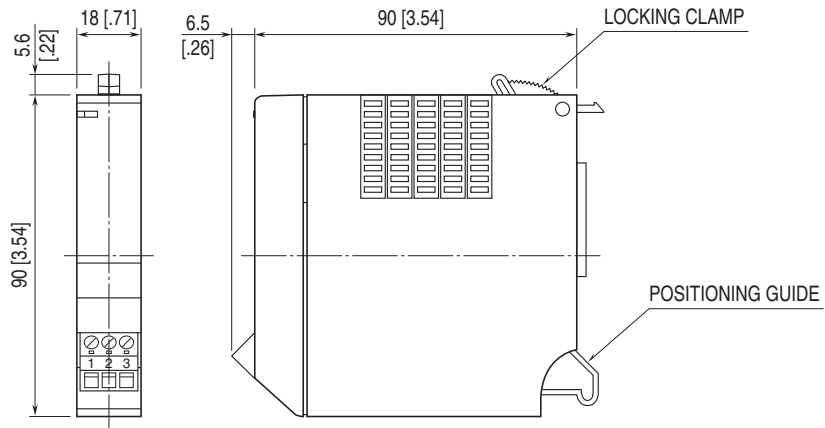
If the power supply (24V DC) of M6-PSM goes insufficient, take some measures, such as changing the combination of signal conditioners or reducing the number of them mounted.

M6DCTC, M6NCTC, M6SCTC	25 mA
M6DDY, M6NDY, M6SDY	50 mA
M6DPA, M6NPA, M6SPA	25 mA
M6DPP, M6NPP, M6SPP	50 mA
M6DVF, M6NVF, M6SVF	30 mA
M6DVS, M6NVS, M6SVS	25 mA
M6DWVS, M6NWVS, M6SWVS	30 mA
M6DXAP, M6NXAP, M6SXAP	50 mA
M6DXAR, M6NXAR, M6SXAR	25 mA
M6DXAS, M6NXAS, M6SXAS	25 mA
M6DXAT, M6NXAT, M6SXAT	25 mA
M6DXF1, M6NXF1, M6SXF1	25 mA
M6DXF2, M6NXF2, M6SXF2	25 mA
M6DXF3, M6NXF3, M6SXF3	25 mA
M6DXM, M6NXM, M6SXM	25 mA
M6DXR, M6NXR, M6SXR	25 mA
M6DXT, M6NXT, M6SXT	25 mA
M6DXU, M6NXU, M6SXU	25 mA
M6DXV, M6NXV, M6SXV	25 mA
M6DYV, M6NYV, M6SYV	21 mA

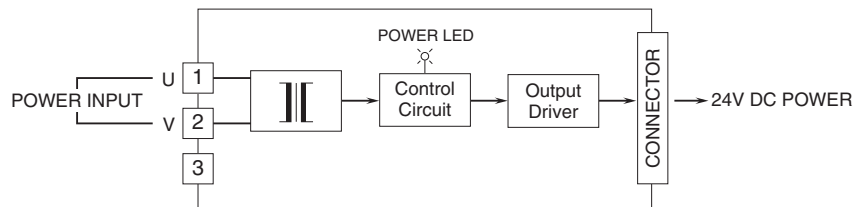
EXTERNAL VIEW



EXTERNAL DIMENSIONS & TERMINAL ASSIGNMENTS unit: mm [inch]



SCHEMATIC CIRCUITRY & CONNECTION DIAGRAM



Specifications are subject to change without notice.