

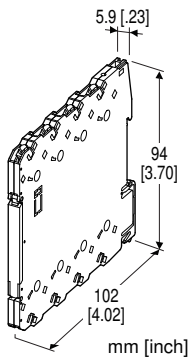
Tension-Clamp Ultra-Slim Signal Conditioners M6S Series

POWER SUPPLY MODULE

(dual redundant)

Functions & Features

- Maintenance-free tension clamp connection
- Supplies power to the M6S modules mounted on the Installation Base
- High-density mounting
- Power indicator LED



MODEL: M6SPS2-R[1]

ORDERING INFORMATION

- Code number: M6SPS2-R[1]
- Specify a code from below for [1].
(e.g. M6SPS2-R/Q)
- Specify the specification for option code /Q
(e.g. /C01)

POWER INPUT

DC Power

R: 24 V DC

(Operational voltage range 22 – 27 V, ripple 10 %p-p max.)

[1] OPTIONS

Other Options

blank: none

/Q: Option other than the above (specify the specification)

SPECIFICATIONS OF OPTION: Q

COATING (For the detail, refer to M-System's web site.)

/C01: Silicone coating

/C02: Polyurethane coating

GENERAL SPECIFICATIONS

Connection: Tension clamp

Applicable wire size: 0.2 to 2.5 mm², stripped length 8 mm

Housing material: Flame-resistant resin (black)

Power indicator LED: Green LED turns on when the power is supplied.

INSTALLATION

Power input: 2 A (Total current consumed by signal conditioners on the base must be 2 A or less.)

Operating temperature: -20 to +55°C (-4 to +131°F)

Operating humidity: 30 to 90 %RH (non-condensing)

Mounting: Installation Base (model: M6SBS)

Weight: 60 g (2.1 oz)

PERFORMANCE

Insulation resistance: ≥ 100 MΩ with 500 V DC

Dielectric strength: 2000 V AC @1 minute (power to ground)

STANDARDS & APPROVALS

EU conformity:

EMC Directive

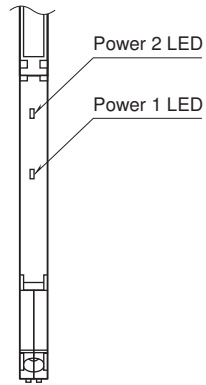
EMI EN 61000-6-4

EMS EN 61000-6-2

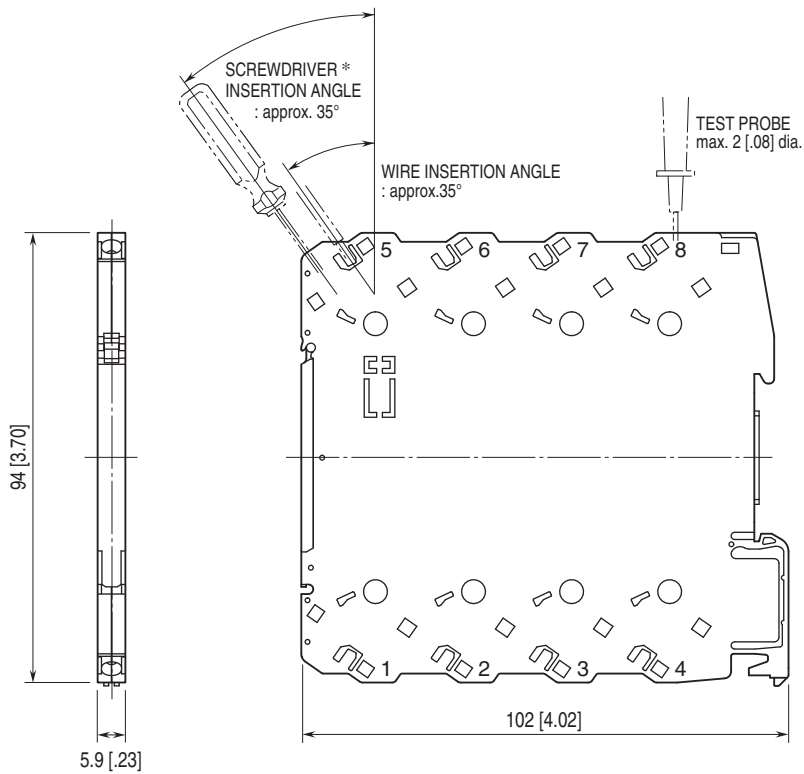
RoHS Directive

EXTERNAL VIEW

(With the cover open)

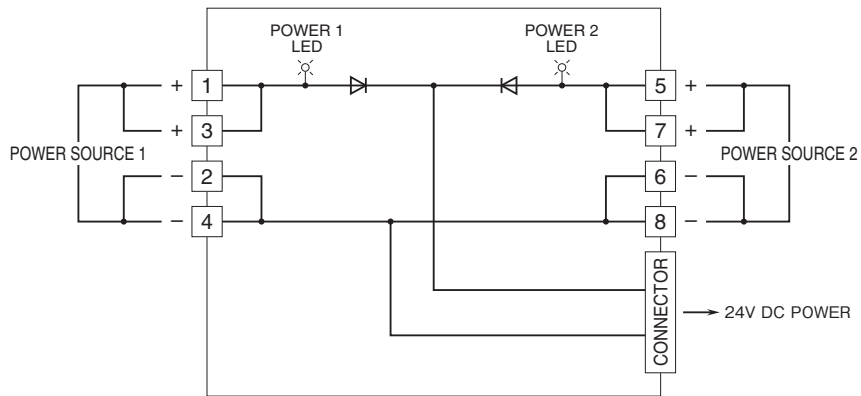


EXTERNAL DIMENSIONS & TERMINAL ASSIGNMENTS unit: mm [inch]



*Use a minus screwdriver: tip width 3.8 mm max., tip thickness 0.5 to 0.6 mm

SCHEMATIC CIRCUITRY & CONNECTION DIAGRAM



Specifications are subject to change without notice.