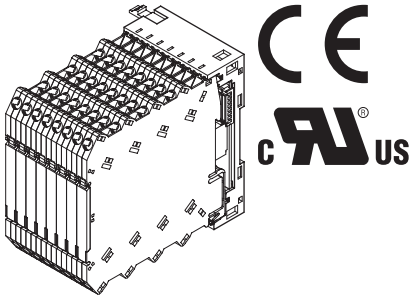


## Screw Terminal Ultra-Slim Signal Conditioners M6N Series

### INSTALLATION BASE

#### Functions & Features

- Backplane to collectively supply power to the M6N modules in combination with the Power Supply Module (model: M6NPSx or M6-PSM)



### MODEL: M6NBS-[1][2]

#### ORDERING INFORMATION

- Code number: M6NBS-[1][2]

Specify a code from below for each of [1] and [2].

- (e.g. M6NBS-08/UL/Q)
- Specify the specification for option code /Q (e.g. /C01)

#### [1] NUMBER OF SLOTS

**08:** 8 slots

**08P:** 8 slots (for extension)

**08A:** 8 slots + power supply slot (for model M6-PSM)  
(UL not available)

#### [2] OPTIONS (multiple selections)

##### Standards & Approvals

**blank:** CE marking

**/UL:** UL approval, CE marking

##### Other Options

**blank:** none

**/Q:** Option other than the above (specify the specification)

#### SPECIFICATIONS OF OPTION: Q

**COATING (For the detail, refer to M-System's web site.)**

Only solder side of the main PWB is coated.

**/C01:** Silicone coating

**/C02:** Polyurethane coating

#### RELATED PRODUCTS

- M6N series signal conditioners (Not able to supply to AC power signal conditioners (M2 code))
- Power supply module (model: M6NPS1)
- Power supply module (model: M6NPS2)
- Power supply module (model: M6-PSM)
- Blank filler module (model: M6NDM)

#### GENERAL SPECIFICATIONS

**Capacity:** Up to 48 modules (including power supply module) with Extension Bases (The usable number of signal conditioners depends on the capacity of the power supply module. Refer to the M6-PSM specification sheets.)

**Isolation:** Power to ground

#### INSTALLATION

**Operating temperature:** -20 to +55°C (-4 to +131°F)

**Operating humidity:** 30 to 90 %RH (non-condensing)

**Atmosphere:** No corrosive gas or heavy dust

**Mounting:** Surface or DIN rail

**Weight:**

M6NBS-08, -08P: 50 g (1.8 oz) without signal conditioners

M6NBS-08A: 80 g (2.8 oz) without signal conditioners

#### PERFORMANCE

**Insulation resistance:**  $\geq 100 \text{ M}\Omega$  with 500 V DC

**Dielectric strength:** 2000 V AC @1 minute (power to ground)

#### STANDARDS & APPROVALS

**EU conformity:**

EMC Directive

EMI EN 61000-6-4

EMS EN 61000-6-2

RoHS Directive

**Approval:**

UL/C-UL nonincendive Class I, Division 2,

Groups A, B, C, and D

(ANSI/ISA-12.12.01, CAN/CSA-C22.2 No.213)

UL/C-UL general safety requirements

(UL 61010-1, CAN/CSA-C22.2 No.61010-1)

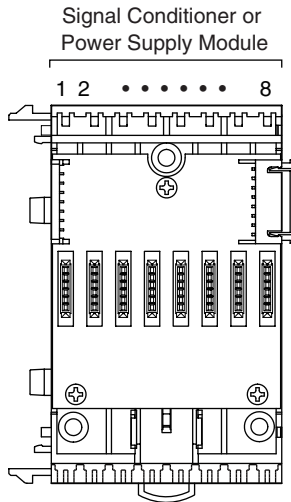
## EXTERNAL VIEW

Install signal conditioners from the slot at either end.

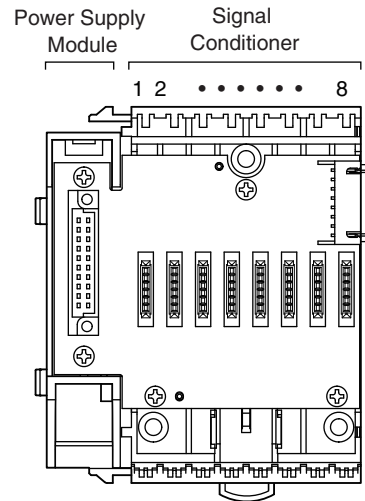
Power Supply Modules (M6NPS1 or M6NPS2) could be mounted at any slots, however, installing them at either end is generally recommended.

Mount the power supply module (M6-PSM) on the power module slot of M6NBS-08A.

■ M6NBS-08, M6NBS-08P

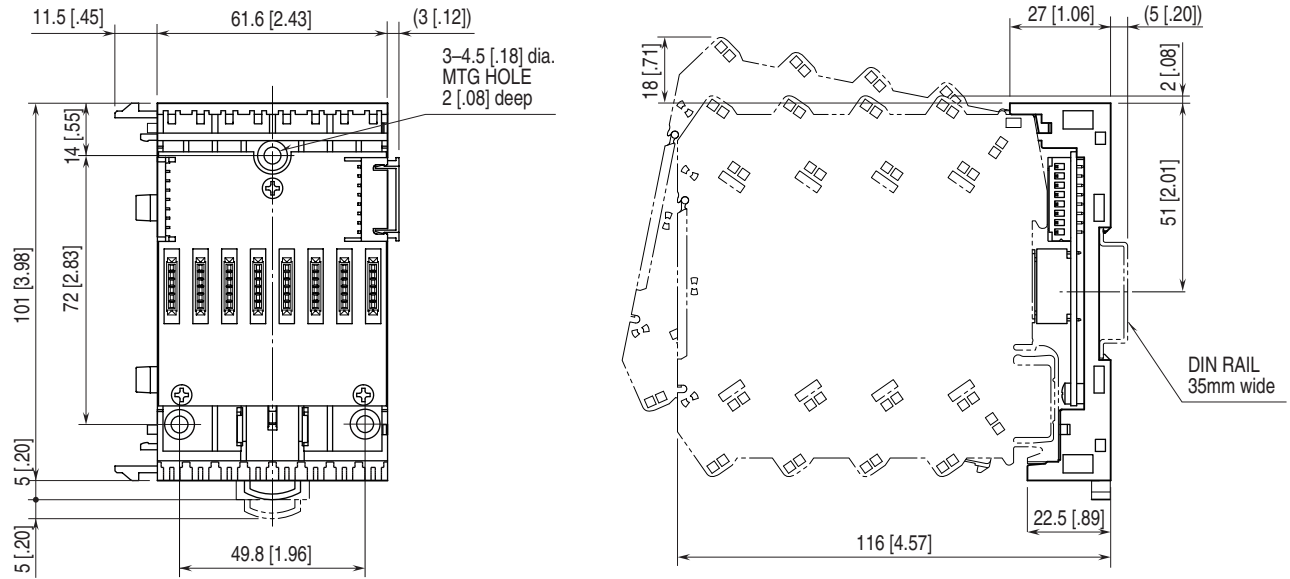


■ M6NBS-08A

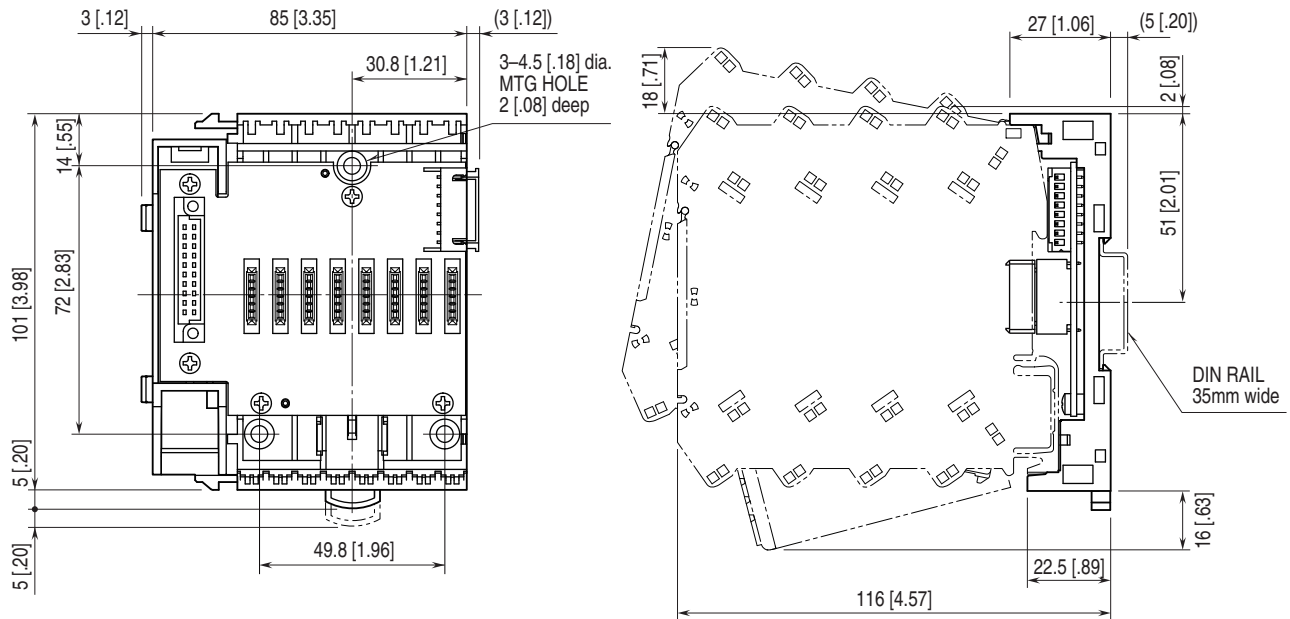


## EXTERNAL DIMENSIONS unit: mm [inch]

### ■ M6NBS-08, M6NBS-08P



### ■ M6NBS-08A

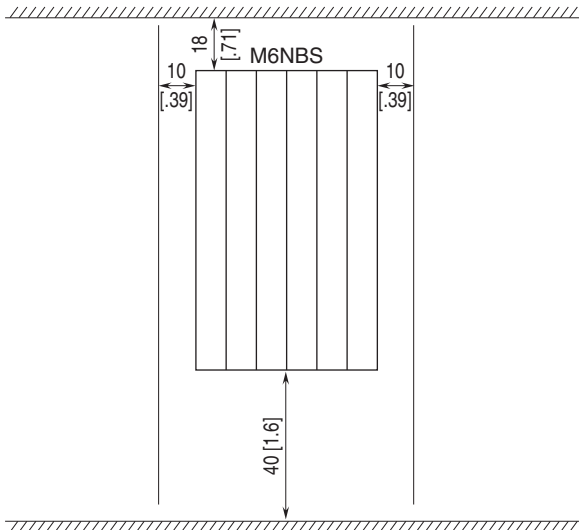


## MOUNTING REQUIREMENTS unit: mm [inch]

### ■ MOUNTING DIRECTION

The unit must be mounted on a vertical panel. Mounting in any other angle will cause internal temperature to rise, may shorten the product's life expectation or deteriorate its performance.

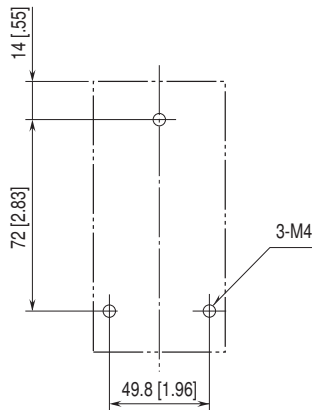
Panel ceiling or wiring conduit (height ≤ 50 mm or 2 in.)



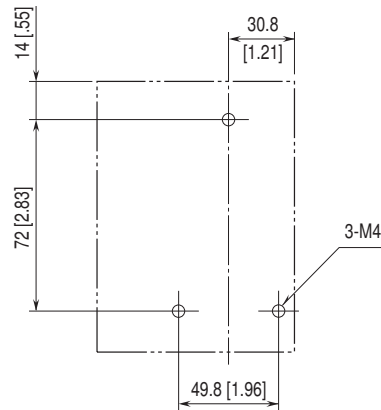
Panel bottom or wiring conduit (height ≤ 50 mm or 2 in.)

### ■ SURFACE MOUNTING

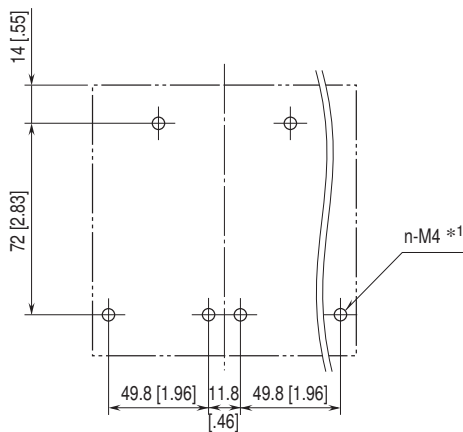
• M6NBS-08



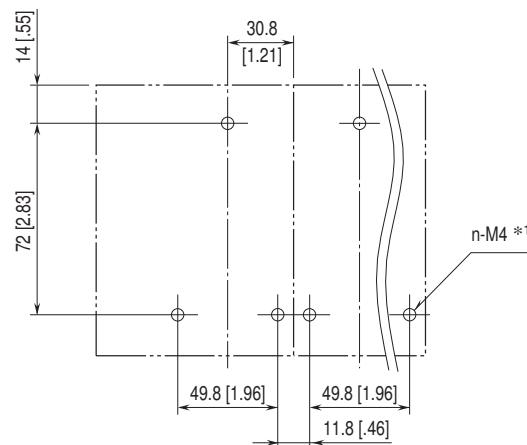
• M6NBS-08A



• M6NBS-08 + M6NBS-08P



• M6NBS-08A + M6NBS-08P



\*1. n = (Number of bases) x 3



Specifications are subject to change without notice.