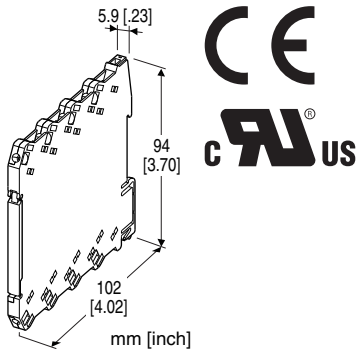


## INPUT LOOP POWERED ISOLATOR

### Functions & Features

- 5.9-mm wide ultra-slim design
- Low profile allows the M6D module mounted in a 120-mm deep panel
- Loop-powered design eliminates output loop power supply
- Two isolators housed in one enclosure
- High-density mounting



### SPECIFICATIONS OF OPTION: Q

**COATING (For the detail, refer to M-System's web site.)**

/C01: Silicone coating

/C02: Polyurethane coating

### GENERAL SPECIFICATIONS

**Connection:** Euro terminal (torque 0.3 N·m)

**Applicable wire size:** 0.2 to 2.5 mm<sup>2</sup>, stripped length 8 mm

**Housing material:** Flame-resistant resin (black)

**Isolation:** Input to output; between channels

**Span adjustments:** ±0.5 % (front)

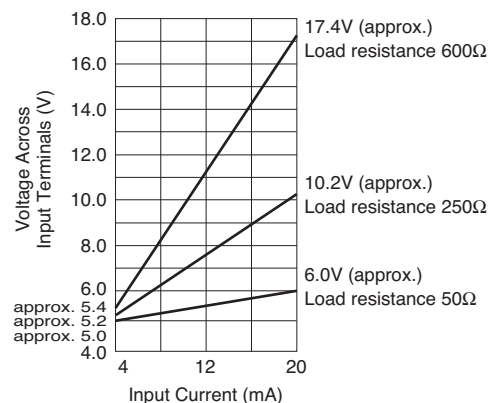
### INPUT & OUTPUT

**Equivalent input impedance:** 250 Ω plus load resistance with 20 mA input

**Operational range:** 0.05 - 40 mA DC (Accuracy is assured within 0.05 - 22 mA)

**Minimum operating current:** 0.05 mA

**Load resistance:** 0 - 600 Ω



## MODEL: M6DSN-[1]DD[2]

### ORDERING INFORMATION

- Code number: M6DSN-[1]DD[2]

Specify a code from below for each of [1] and [2].

- (e.g. M6DSN-2DD/UL/Q)
- Specify the specification for option code /Q (e.g. /C01)

### [1] NO. OF CHANNELS

- 1: 1 channel
- 2: 2 channels

### INPUT

#### Current

D: 0 - 20 mA DC (4 - 20 mA DC)

### OUTPUT

#### Current

D: 0 - 20 mA DC (4 - 20 mA DC)

### [2] OPTIONS (multiple selections)

#### Standards & Approvals

blank: CE marking

/UL: UL approval, CE marking

#### Other Options

blank: none

### INSTALLATION

**Operating temperature:** -20 to +55°C (-4 to +131°F)

**Operating humidity:** 30 to 90 %RH (non-condensing)

**Mounting:** Installation Base (model: M6DBS) or DIN rail

**Weight:** 60 g (2.1 oz)

### PERFORMANCE in percentage of span

**Accuracy:** ±0.1 %

**Temp. coefficient:** ±0.015 %/°C (±0.008 %/°F)

**Response time:** Approx. 20 msec. (0 - 90 %, 250 Ω load)

**Load effect:** (factory-calibrated with 250 Ω load)

0.004%/Ω (0 - 600 Ω)

**Insulation resistance:** ≥ 100 MΩ with 500 V DC

**Dielectric strength:**

1500 V AC @1 minute (input to output)

2000 V AC @1 minute (between channels)  
2000 V AC @1 minute (input or output to ground)

## STANDARDS & APPROVALS

### EU conformity:

EMC Directive

EMI EN 61000-6-4

EMS EN 61000-6-2

RoHS Directive

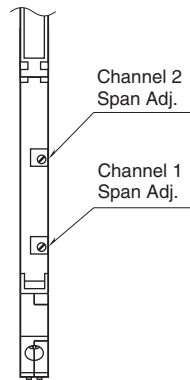
### Approval:

UL/C-UL nonincendive Class I, Division 2,  
Groups A, B, C, and D hazardous locations  
(ANSI/ISA-12.12.01, CAN/CSA-C22.2 No.213)

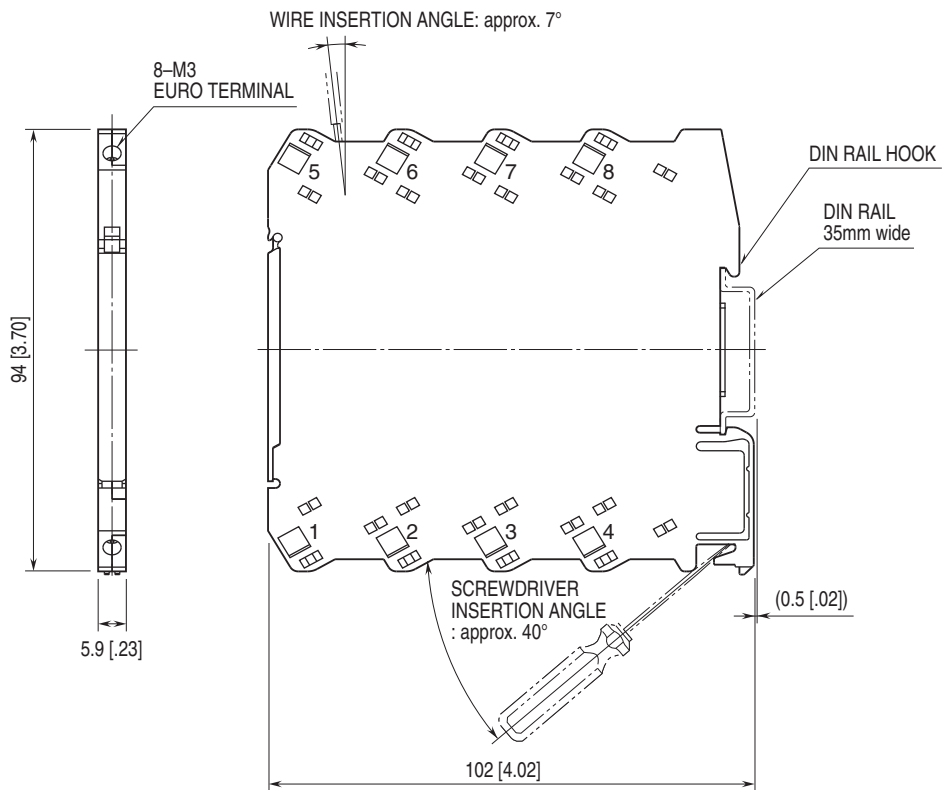
UL/C-UL general safety requirements  
(UL 61010-1, CAN/CSA-C22.2 No.61010-1)

## EXTERNAL VIEW

(With the cover open)

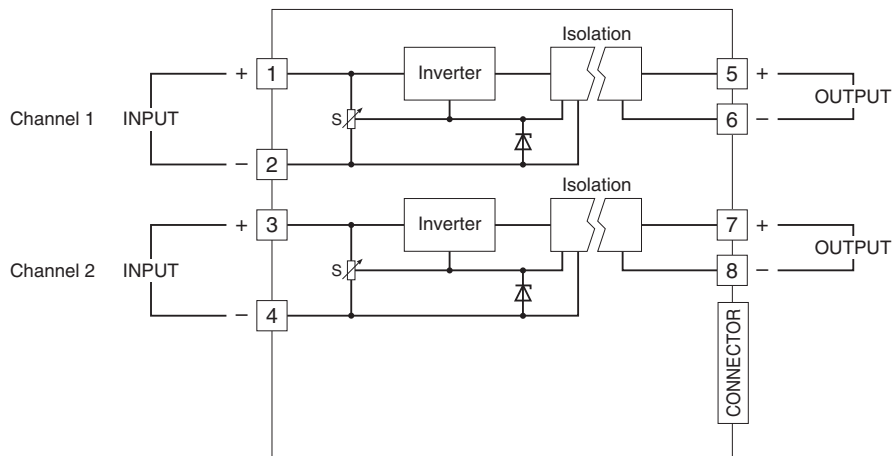


## EXTERNAL DIMENSIONS & TERMINAL ASSIGNMENTS unit: mm [inch]



• When mounting, no extra space is needed between units.

## SCHEMATIC CIRCUITRY & CONNECTION DIAGRAM



Specifications are subject to change without notice.