

BEFORE USE

Thank you for choosing M-System. Before use, please check contents of the package you received as outlined below. If you have any problems or questions with the product, please contact M-System's Sales Office or representatives.

■ PACKAGE INCLUDES:

Installation base.....(1)

■ MODEL NO.

Confirm Model No. marking on the product to be exactly what you ordered.

■ INSTRUCTION MANUAL

This manual describes necessary points of caution when you use this product, including installation, connection and basic maintenance procedures.

POINTS OF CAUTION

■ CONFORMITY WITH EU DIRECTIVES OR UL

- The equipment must be mounted inside a panel.
- The actual installation environments such as panel configurations, connected devices, connected wires, may affect the protection level of this unit when it is integrated in a panel system. The user may have to review the CE requirements in regard to the whole system and employ additional protective measures to ensure the CE conformity.

■ GENERAL PRECAUTIONS

- Before you remove the unit or mount it, turn off the power supply for safety.

■ ENVIRONMENT

- Indoor use.
- When heavy dust or metal particles are present in the air, install the unit inside proper housing with sufficient ventilation.
- Do not install the unit where it is subjected to continuous vibration. Do not subject the unit to physical impact.
- Environmental temperature must be within -20 to +55°C (-4 to +131°F) with relative humidity within 30 to 90% RH in order to ensure adequate life span and operation.
- Keep space of at less 1 cm (0.4 inches) on the left side of the power supply module (model: M6-PSM).

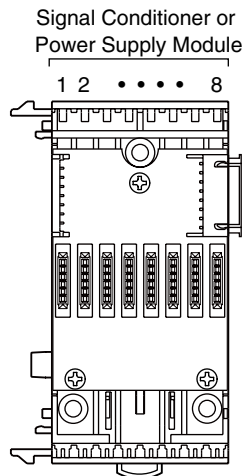
■ WIRING

- Do not install cables close to noise sources (relay drive cable, high frequency line, etc.).
- Do not bind these cables together with those in which noises are present. Do not install them in the same duct.

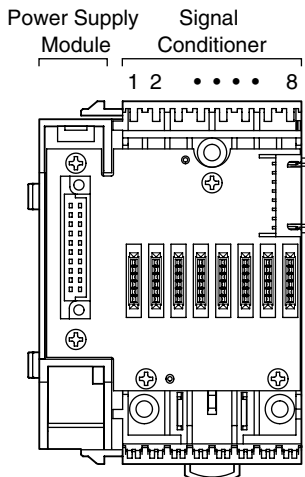
COMPONENT IDENTIFICATION

■ FRONT VIEW

• M6SBS-08, M6SBS-08P



• M6SBS-08A

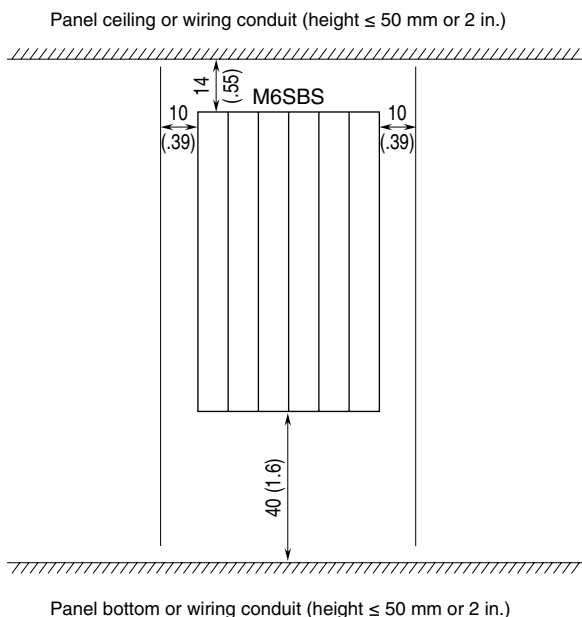


Install signal conditioners from the slot at either end. Power Supply Modules (M6SPS1 or M6SPS2) could be mounted at any slots, however, installing them at either end is generally recommended. Power Supply Module, M6-PSM must be mounted on the power module slot of the M6SBS-08A.

INSTALLATION unit: mm (inch)

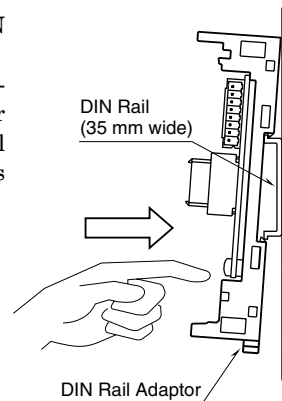
■ MOUNTING DIRECTION

The unit must be mounted on a vertical panel. Mounting in any other angle will cause internal temperature to rise, may shorten the product's life expectation or deteriorate its performance.



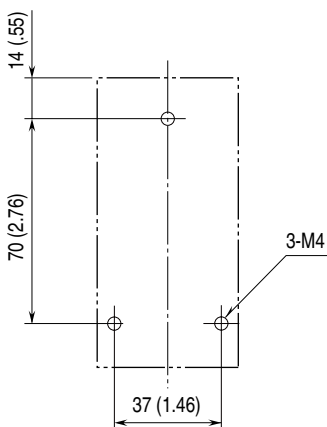
■ DIN RAIL MOUNTING

Set the base so that its DIN rail adaptor is at the bottom. Pull down the adaptors. Position the upper hook at the rear side of the base on the DIN rail and push back the adaptors into the original position.

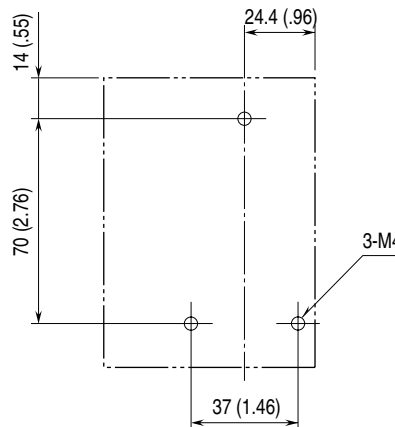


■ SURFACE MOUNTING

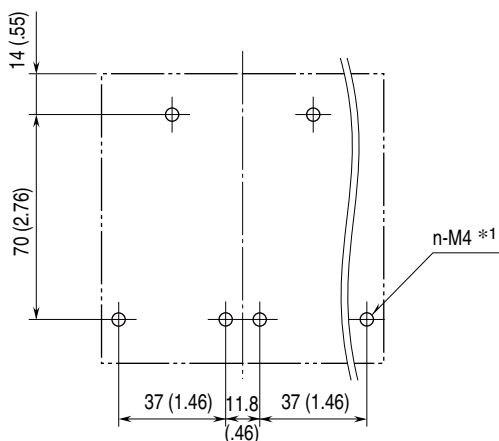
- M6SBS-08



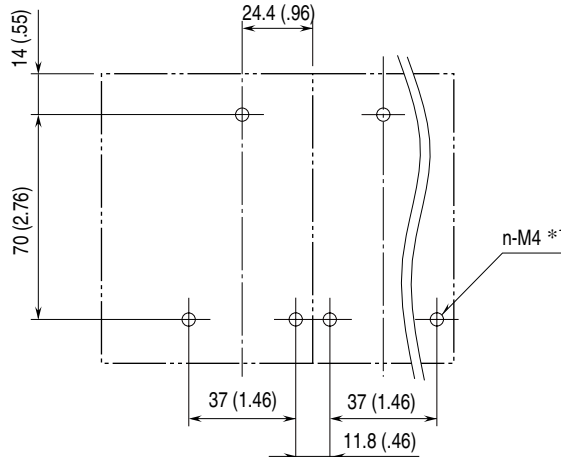
- M6SBS-08A



- M6SBS-08 + M6SBS-08P



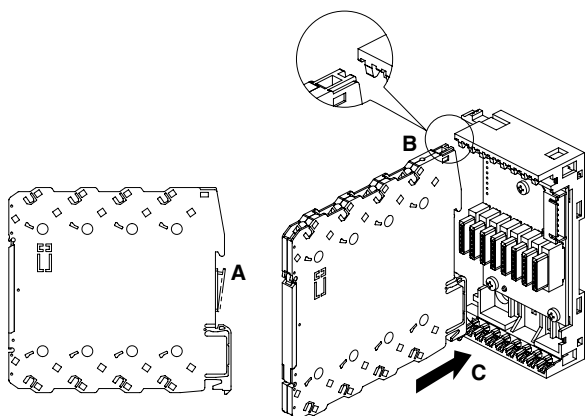
- M6SBS-08A + M6SBS-08P



*1. n = (Number of bases) x 3

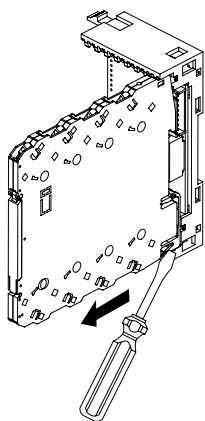
■ HOW TO MOUNT SIGNAL CONDITIONERS

- 1) Remove the connector cover (A) at the bottom of the signal conditioner.
- 2) Align its concave portion (B) with the convex portion of the base.
- 3) Push in the unit until its lower part (C) is firmly secured on the base by the DIN rail adaptor.



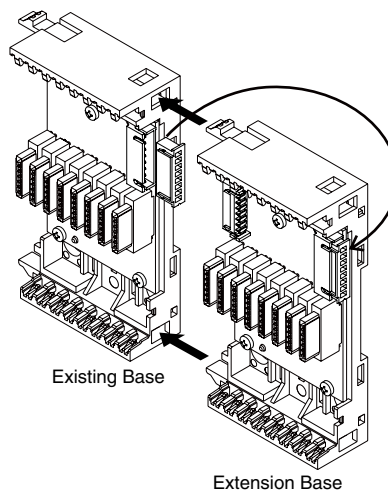
■ HOW TO REMOVE SIGNAL CONDITIONERS

Pull out the unit while pushing down the DIN rail adaptor with a minus screwdriver.



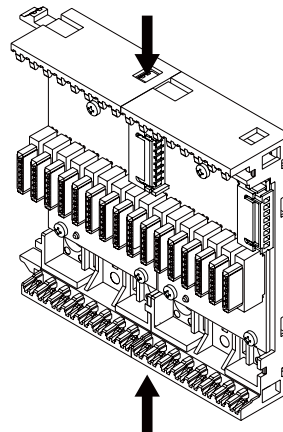
■ HOW TO ATTACH AN EXTENSION BASE

- 1) Remove the connector cover at the right side of the existing base and put it on the connector of the extension base.
- 2) Push the extension base into the right end of the existing base.



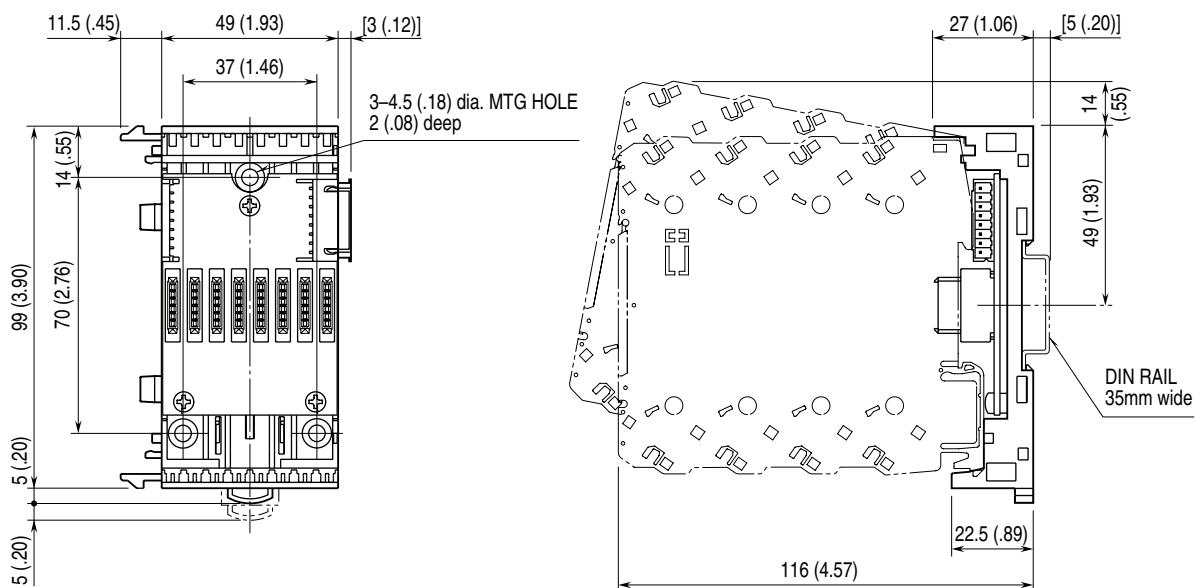
■ HOW TO DETACH AN EXTENSION BASE

Pull out the extension base while pushing the hooks at the top and the bottom.



EXTERNAL DIMENSIONS unit: mm (inch)

■ M6SBS-08, M6SBS-08P



■ M6SBS-08A

