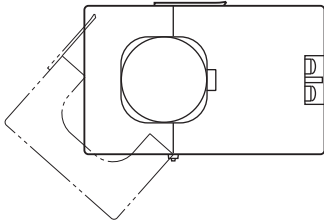


CLAMP-ON CURRENT SENSOR

(1A output)

Functions & Features

- Easy-to-install, spring-loaded, clamp-on type current sensor
- Over-voltage clamp element for safety in open circuit
- 1 A output
- Wide frequency band
- Up to 20 kHz harmonic contents
- Screw terminal connection



MODEL: CLSC-[1]

ORDERING INFORMATION

- Code number: CLSC-[1]

Specify a code from below for [1].

(e.g. CLSC-10)

[1] INPUT

- 10: 100 A
- 25: 250 A
- 50: 500 A
- 60: 600 A

CAUTION

Before you remove the sensor module or mount it, turn off the input signal for safety. While the line is alive, the module's cores, attracted to each other, may be hard to separate.

RELATED PRODUCTS

AC current, watt, power factor transducers with 1 A input

- CT input module (model: R3-CT4)
- Multi power input module (model: R3-WT1)
- AC power input module (model: R3-WT4)
- AC current transducer (model: 14CE)
- AC current transducer (model: LTCE)
- CT transmitter (model: CT)
- CT transmitter (model: KCE)
- CT transmitter (model: M2CE)
- CT converter (model: M8CT)
- CT transmitter (model: M5CT)

- Multi power monitor (model: 53U, 54U, 54UC, 54UL)

GENERAL SPECIFICATIONS

Construction: Clamp

Connection: M3 screw terminals (torque 0.3 N·m)

Housing material: Flame-resistant resin (black)

Detachable number of times: Approx. 100 times

INPUT SPECIFICATIONS

Max. working voltage: 480 V AC (primary side)

Overload capacity: 120 % continuous, 4000 % for 1 minute

Operational range

CLSC-10: ≤ 100 A

CLSC-25: ≤ 250 A

CLSC-50: ≤ 500 A

CLSC-60: ≤ 600 A

INSTALLATION

Operating temperature: -20 to +60°C (-4 to +140°F)

Operating humidity: 80 % RH max. (non-condensing)

Mounting: Fix with a binding strap.

Weight:

CLSC-10: 170 g (0.37 lb)

CLSC-25: 175 g (0.39 lb)

CLSC-50: 250 g (0.55 lb)

CLSC-60: 265 g (0.58 lb)

PERFORMANCE

Frequency: 50 / 60 Hz

Rated primary current / rated secondary current

CLSC-10: 100 A / 1 A

CLSC-25: 250 A / 1 A

CLSC-50: 500 A / 1 A

CLSC-60: 600 A / 1 A

Ratio error: ±1.0 %, 1.0 In

Phase displacement error: +1±1°, 1.0 In

Insulation resistance: ≥ 100 MΩ with 500 V DC

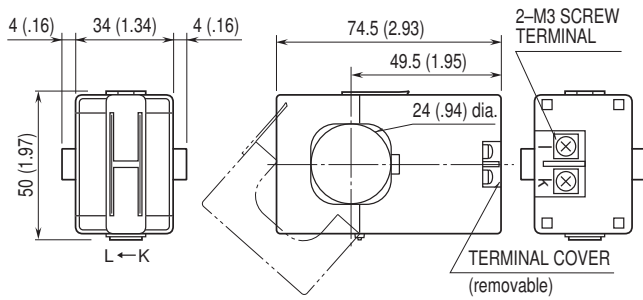
(sensor core to output)

Dielectric strength: 2000 V AC @ 1 minute

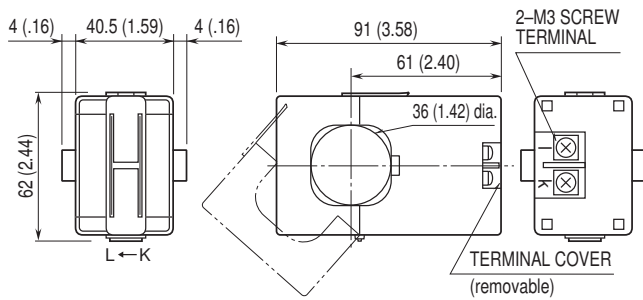
(sensor core to output)

EXTERNAL DIMENSIONS unit: mm (inch)

■ Sensor model No.: CLSC-10, 25



■ Sensor model No.: CLSC-50, 60



Specifications are subject to change without notice.