

**Space-saving Dual Output Signal Conditioners
Mini-MW Series**

LOW FREQUENCY TRANSMITTER

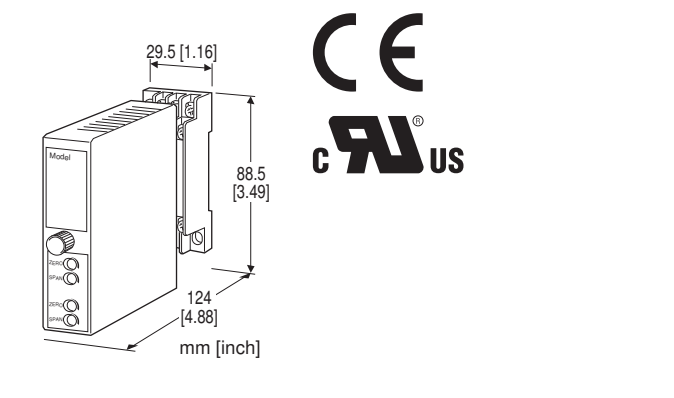
(50 Hz minimum)

Functions & Features

- Converts the output from a pulse-type transducer into a standard process signal

Typical Applications

- Positive displacement flowmeters, turbine flowmeters and vortex flowmeters
- Proximity switches



MODEL: W2SP-[1][2][3]-[4][5]

ORDERING INFORMATION

- Code number: W2SP-[1][2][3]-[4][5]
- Specify a code from below for each of [1] through [5].
(e.g. W2SP-1AA-M2/CE/Q)
- Frequency range (e.g. 0 - 10 kHz)
- Special output ranges (For codes Z & 0)
- Specify the specification for option code /Q
(e.g. /C01/S01)

Note: When the user requires a current and a voltage output, specify the current to be the Output 1 which allows a greater load.

[1] INPUT

- 1: Dry contact
- 2: Voltage pulse

[2] OUTPUT 1

Current

- A: 4 - 20 mA DC (Load resistance 750 Ω max.)
- B: 2 - 10 mA DC (Load resistance 1500 Ω max.)
- C: 1 - 5 mA DC (Load resistance 3000 Ω max.)
- D: 0 - 20 mA DC (Load resistance 750 Ω max.)
- E: 0 - 16 mA DC (Load resistance 900 Ω max.)
- F: 0 - 10 mA DC (Load resistance 1500 Ω max.)
- G: 0 - 1 mA DC (Load resistance 15 kΩ max.)
- Z: Specify current (See OUTPUT SPECIFICATIONS)

Voltage

- 1: 0 - 10 mV DC (Load resistance 10 kΩ min.)
- 2: 0 - 100 mV DC (Load resistance 100 kΩ min.)
- 3: 0 - 1 V DC (Load resistance 1000 Ω min.)
- 4: 0 - 10 V DC (Load resistance 10 kΩ min.)
- 5: 0 - 5 V DC (Load resistance 5000 Ω min.)
- 6: 1 - 5 V DC (Load resistance 5000 Ω min.)
- 4W: -10 - +10 V DC (Load resistance 10 kΩ min.)
- 5W: -5 - +5 V DC (Load resistance 5000 Ω min.)
- 0: Specify voltage (See OUTPUT SPECIFICATIONS)

[3] OUTPUT 2

Y: None

Current

- A: 4 - 20 mA DC (Load resistance 350 Ω max.)
- B: 2 - 10 mA DC (Load resistance 700 Ω max.)
- C: 1 - 5 mA DC (Load resistance 1400 Ω max.)
- D: 0 - 20 mA DC (Load resistance 350 Ω max.)
- E: 0 - 16 mA DC (Load resistance 430 Ω max.)
- F: 0 - 10 mA DC (Load resistance 700 Ω max.)
- G: 0 - 1 mA DC (Load resistance 7000 Ω max.)
- Z: Specify current (See OUTPUT SPECIFICATIONS)

Voltage

Same range availability as Output 1

[4] POWER INPUT

AC Power

- M2: 100 - 240 V AC (Operational voltage range 85 - 264 V, 47 - 66 Hz)
(90 - 264 V for UL)

DC Power

- R: 24 V DC
(Operational voltage range 24 V ±10 %, ripple 10 %p-p max.)
- R2: 11 - 27 V DC
(Operational voltage range 11 - 27 V, ripple 10 %p-p max.)
(Select 'N' for 'Standards & Approvals' code.)
- P: 110 V DC
(Operational voltage range 85 - 150 V, ripple 10 %p-p max.)
(110 V ±10 % for UL)

[5] OPTIONS (multiple selections)**Standards & Approvals (must be specified)**

/N: Without CE or UL

/CE: CE marking

/UL: UL approval, CE marking

Other Options

blank: none

/Q: Option other than the above (specify the specification)

SPECIFICATIONS OF OPTION: Q (multiple selections)**COATING (For the detail, refer to M-System's web site.)**

/C01: Silicone coating

/C02: Polyurethane coating

/C03: Rubber coating (UL not available)

TERMINAL SCREW MATERIAL

/S01: Stainless steel (UL not available)

GENERAL SPECIFICATIONS**Construction:** Plug-in**Connection:** M3 screw terminals (torque 0.8 N·m)**Screw terminal:** Chromated steel (standard) or stainless steel**Housing material:** Flame-resistant resin (black)**Isolation:** Input to output 1 to output 2 to power**Overrange output:** 0 to 120 % at 1 - 5 V**Zero adjustment:** -5 to +5 % (front)**Span adjustment:** 95 to 105 % (front)

Adjustable individually for each output 1 and output 2.

Input pulse sensing: DC coupled; detecting pulse rise**Input filter:** Provided with input range < 100 Hz (time constant approx. 1 msec.)**Low-end cutout:** 2 to 5 %**INPUT SPECIFICATIONS****Excitation:** 12 V DC @30 mA; shortcircuit protection**Frequency range:** 0 - 50 Hz through 10 kHz■ **Dry Contact:** Mechanical contact or open collector**Pulse width time requirement:** 20 µsec. min. for ON and OFF
≥ 5 msec. with input range < 100 Hz**Sensing:** Approx. 12 V DC @3 mA**ON/OFF level:** ≤ 200 Ω / 0.6 V for ON, ≥ 100 kΩ / 2.5 V for OFF■ **Voltage Pulse:** Square or sine waveforms**Pulse width time requirement:** 20 µsec. min. for high and low levels

≥ 5 msec. with input range < 100 Hz

Hi level: 2 - 50 V**Lo level:** ≤ 1 V**Input impedance:** 10 kΩ min.**OUTPUT SPECIFICATIONS**■ **DC Current:** 0 - 20 mA DC**Minimum span:** 1 mA**Offset:** Max. 1.5 times span**Load resistance:** Output drive 15 V max. for Output 1;
7 V max. for Output 2■ **DC Voltage:** -10 - +12 V DC (up to 10 V for Output 2)**Minimum span:** 5 mV**Offset:** Max. 1.5 times span**Load resistance:** Output drive 1 mA max.; at ≥ 0.5 V**INSTALLATION****Power Consumption**• **AC:**

Approx. 5 VA at 100 V

Approx. 6 VA at 200 V

Approx. 7 VA at 240 V

• **DC:** Approx. 3 W**Operating temperature:** -5 to +55°C (23 to 131°F)**Operating humidity:** 30 to 90 %RH (non-condensing)**Mounting:** Surface or DIN rail**Weight:** 200 g (0.44 lb)**PERFORMANCE in percentage of span****Accuracy:** ±0.1 % (output 10 - 100 %)**Temp. coefficient:** ±0.015 %/°C (±0.008 %/°F)**Response time:** (0 - 90%)

Approx. 1.8 sec. with 0 - 50 Hz

Approx. 0.7 sec. with 0 - 100 Hz

Approx. 0.5 sec. with 0 - 500 Hz

Approx. 0.5 sec. with 0 - 10 kHz

Ripple: 0.2 %p-p max. with input ≥ 10 %**Line voltage effect:** ±0.1 % over voltage range**Insulation resistance:** ≥ 100 MΩ with 500 V DC**Dielectric strength:** 2000 V AC @1 minute (input to output 1 to output 2 to power to ground)

STANDARDS & APPROVALS

EU conformity:

EMC Directive

EMI EN 61000-6-4

EMS EN 61000-6-2

Low Voltage Directive

EN 61010-1

Installation Category II

Pollution Degree 2

Input or output 1 or output 2 to power input:

Reinforced insulation (300 V)

Input to output 1 to output 2: Basic insulation (300 V)

RoHS Directive

Approval:

UL/C-UL nonincendive Class I, Division 2,

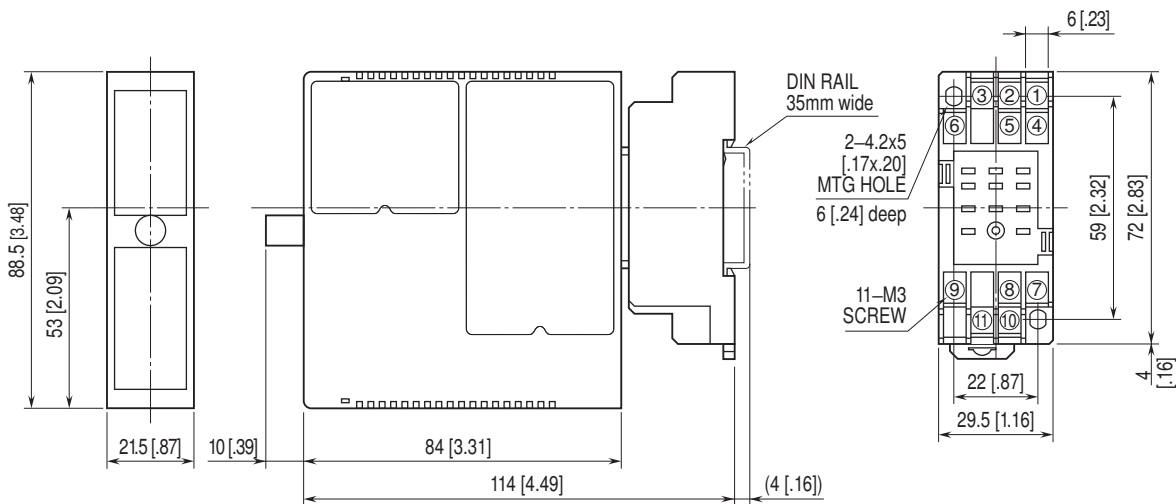
Groups A, B, C, and D

(ANSI/ISA-12.12.01, CAN/CSA-C22.2 No.213)

UL/C-UL general safety requirements

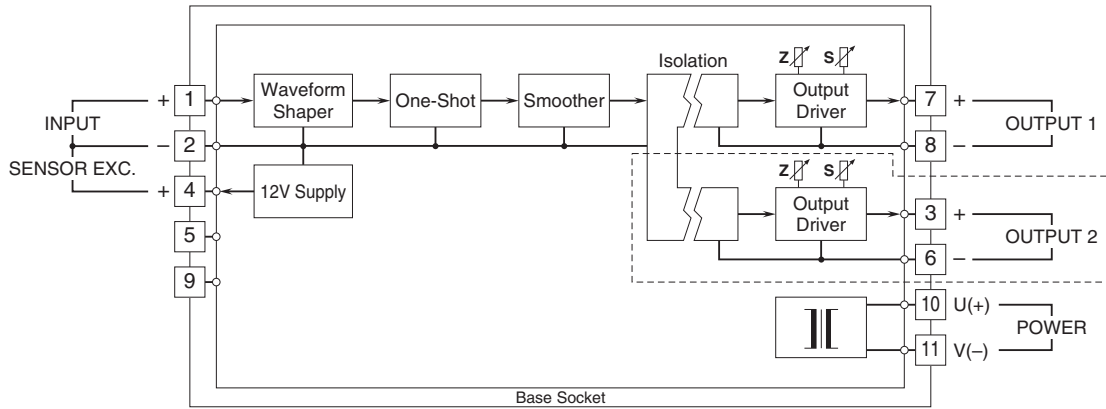
(UL 61010-1, CAN/CSA-C22.2 No.61010-1)

EXTERNAL DIMENSIONS & TERMINAL ASSIGNMENTS unit: mm [inch]



• When mounting, no extra space is needed between units.

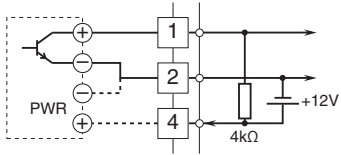
SCHEMATIC CIRCUITRY & CONNECTION DIAGRAM



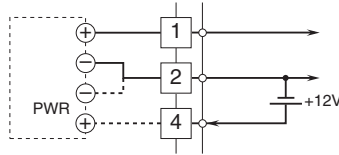
Note: The section enclosed by broken line is only with 2nd output option.

Input Connection Examples

■ Dry Contact



■ Voltage Pulse



Specifications are subject to change without notice.