

Dual Output Plug-in Signal Conditioners W-UNIT

PULSE ISOLATOR

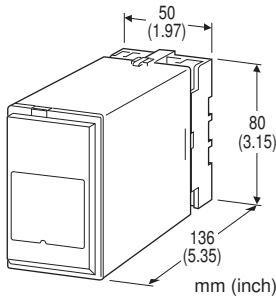
(two isolated outputs; built-in excitation)

Functions & Features

- Galvanically isolating pulse rate signals
- Input frequency = output frequency
- Various outputs (relay, open collector and voltage pulses)
- Excitation
- Isolation up to 2000 V AC
- High-density mounting

Typical Applications

- Isolating field pulse signals in order to reduce noises
- Changing e.g. dry contact signal to e.g. 5 V signals



MODEL: WYPD-[1][2][3][4][5][6]-[7][8]

ORDERING INFORMATION

- Code number: WYPD-[1][2][3][4][5][6]-[7][8]
- Specify a code from below for each of [1] through [8].
(e.g. WYPD-D4A2M23N-B/Q)
- Frequency range (e.g. 0 - 5 Hz)
- Use Ordering Information Sheet (No. ESU-2276) for pulse width settings of DC voltage pulse input or one-shot output.
- Specify the specification for option code /Q
(e.g. /C01/S01)

[1] INPUT

- A: Dry contact
- B: DC voltage pulse (Specify sensitivity)
- C: 5 V pulse (sensitivity 2 V)
- D: 12 V/24 V pulse (sensitivity 5 V)
- H: Two-wire current pulse

[2] EXCITATION

- 1: 5 V DC / 80 mA
- 4: 12 V DC / 40 mA

[3] OUTPUT 1

- A1: Open collector (max. frequency 100 kHz)
- A2: Open collector (max. frequency 10 Hz)
- M1: 5 V pulse (max. frequency 100 kHz)
- M2: 5 V pulse (max. frequency 10 Hz)
- N1: 12 V pulse (max. frequency 100 kHz)
- N2: 12 V pulse (max. frequency 10 Hz)
- H: Relay contact (max. frequency 0.5 Hz)

[4] OUTPUT 2

Same range availability as Output 1
(Choose a combination of output 1 and 2 with same max. frequency limit. Output logic of open collector is reversed when open collector and others are mixed.)

[5] OUTPUT PULSE WIDTH

- 1: Equal to the input
- 2: One-shot output (≤ 30 ms; std. pulse width 5 ms)
(Specify when optional pulse width is required.)
(10 ms for relay contact pulse)
- 3: One-shot output (≥ 30 ms; std. pulse width 50 ms)
(Specify when optional pulse width is required.)

[6] OUTPUT LOGIC

- N: The same as the input
- R: Inverted

[7] POWER INPUT

- AC Power**
- B: 100 V AC
- C: 110 V AC
- D: 115 V AC
- F: 120 V AC
- G: 200 V AC
- H: 220 V AC
- J: 240 V AC
- DC Power**
- S: 12 V DC
- R: 24 V DC
- V: 48 V DC

[8] OPTIONS

- blank: none
- /Q: With options (specify the specification)

SPECIFICATIONS OF OPTION: Q (multiple selections)

COATING (For the detail, refer to M-System's web site.)

/C01: Silicone coating

/C02: Polyurethane coating

/C03: Rubber coating

TERMINAL SCREW MATERIAL

/S01: Stainless steel

GENERAL SPECIFICATIONS

Construction: Plug-in

Connection: M3.5 screw terminals

Screw terminal: Chromated steel (standard) or stainless steel

Housing material: Flame-resistant resin (black)

Isolation: Input to output 1 to output 2 to power

Excitation adjustment: 5 - 12 V DC

Detecting level adjustments (DC voltage pulse): 2 - 10 V

Input pulse sensing: DC coupled

Input filter: Provided with output code A2, M2, N2, H (time constant approx. 1 msec.)

INPUT SPECIFICATIONS

Excitation: Shortcircuit protection; approx. 150 mA at shortcircuit

■ Dry Contact

Max. frequency: 100 kHz

Pulse width time requirement: 5 μ sec. min. (10 ms for output code A2, M2, N2, H)

Sensing: 10 V DC @ 2.5 mA

ON/OFF level:

≥ 5.5 k Ω / 5.5 V for OFF

≤ 1.8 k Ω / 4.5 V for ON

■ **Voltage Pulse:** Specify DC offset and amplitude.

Max. frequency: 100 kHz

Pulse width time requirement: 5 μ sec. min. (10 ms for output code A2, M2, N2, H)

Waveform: Square or sine

Input impedance: 10 k Ω min.

Input amplitude: 2 - 50 Vp-p

Sensitivity adjustment (threshold level): 2 - 10 V

Max. voltage between input terminals: 50 V

• 5V, 12V, 24V Pulse

Waveform: Square or sine

Input impedance: 10 k Ω min.

Detecting level

INPUT	5 V PULSE	12 V / 24 V PULSE
V_H	≥ 2.25 V	≥ 5.25 V
V_L	≤ 1.75 V	≤ 4.75 V

■ Two-wire Current Pulse

Max. frequency: 100 kHz

Pulse width time requirement: 5 μ sec. min. (10 ms

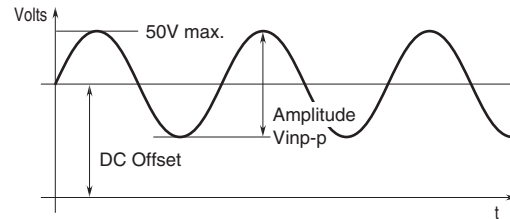
for output code A2, M2, N2, H)

Input resistance: Receiving resistor 220 Ω

Maximum current: ± 50 mA

Hi/Lo level: ≤ 5 mA for Lo, ≥ 15 mA for Hi

■ Voltage pulse waveform



OUTPUT SPECIFICATIONS

■ **Open Collector:** 50 V DC @ 50 mA (resistive load)

Maximum frequency:

Output code A1: 100 kHz with load resistance ≤ 1 k Ω

Output code A2: 10 Hz with load resistance ≤ 1 k Ω

Saturation voltage: 0.5 V DC

■ **Voltage Pulse:** Rating (5 or 12 V) ± 10 %

Maximum frequency: 100 kHz

Load resistance: 1.5 k Ω min. for 5 V, 3 k Ω min. for 12 V

L level: ≤ 0.5 V

■ **Relay Contact:** 120 V AC or 30 V DC @ 200 mA (resistive load)

Maximum frequency: 0.5 Hz

Maximum switching voltage: 380 V AC or 125 V DC

Maximum switching power: 120 VA or 30 W

Minimum load: 5 V DC @ 10 mA

Relay life:

2×10^7 cycles (mechanical)

7×10^6 cycles (electrical)

OUTPUT PULSE WIDTH

• **Equal to the Input:** No pulse width conversion (difference between input and output within ± 10 μ sec.)

• **One-shot Output:** Constant pulse width
Output Frequency (Hz) = 500 / (Output Pulse Width (msec.))

Adjustable pulse width

Pulse width max. 30 msec. (code 2):

1 - 30 msec. adjustable (standard 5 msec. ± 20 %) for 'Output' code other than 'H'

10 - 30 msec. adjustable (standard 10 msec. ± 20 %) for 'Output' code 'H'

Pulse width min. 30 msec. (code 3): 30 msec. - 1 sec. adjustable (standard 50 msec. ± 20 %)

INSTALLATION

Power input

•AC: Operational voltage range: rating $\pm 10\%$,
50/60 ± 2 Hz, approx. 2.5 VA

•DC: Operational voltage range: rating $\pm 10\%$,
ripple 10 %p-p max., approx. 2 W (80 mA at 24 V)

Operating temperature: -5 to +60°C (23 to 140°F)

Operating humidity: 30 to 90 %RH (non-condensing)

Mounting: Surface or DIN rail

Weight: 400 g (0.88 lb)

PERFORMANCE

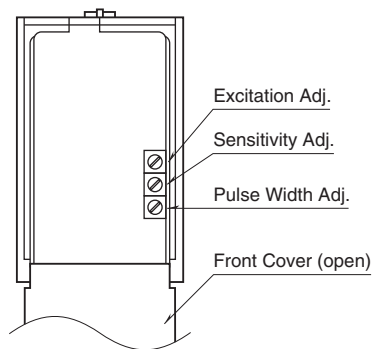
Insulation resistance: ≥ 100 M Ω with 500 V DC

Dielectric strength:

2000 V AC @1 minute (input to output 1 or output 2 to
power to ground)

1000 V AC @1 minute (output 1 to output 2)

EXTERNAL VIEW



OUTPUT LOGIC

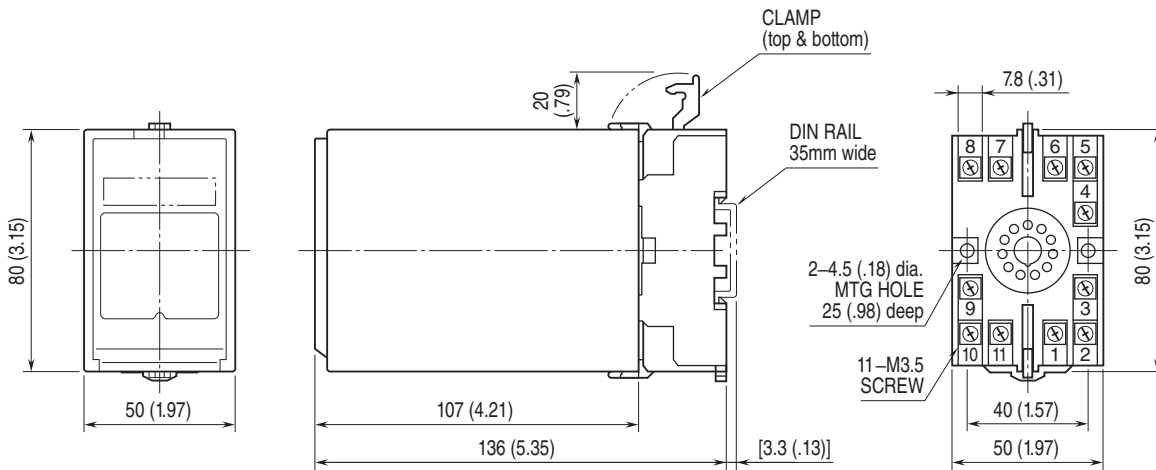
INPUT WAVEFORM		VOLTAGE PULSE or 2-WIRE CURRENT PULSE		DRY CONTACT	
		H	L	OFF	ON
OUTPUT WAVEFORM					
NON INVERTED	No pulse width conversion	Voltage pulse			
		Open collector or relay contact			
	One-shot, detecting input pulse rise	Voltage pulse			
		Open collector or relay contact			
	One-shot, detecting input pulse sink	Voltage pulse			
		Open collector or relay contact			
INVERTED	No pulse width conversion	Voltage pulse			
		Open collector or relay contact			
	One-shot, detecting input pulse rise	Voltage pulse			
		Open collector or relay contact			
	One-shot, detecting input pulse sink	Voltage pulse			
		Open collector or relay contact			

The pulse width in one-shot means the bold lined section of a pulse waveform.

Shades indicate default setting.

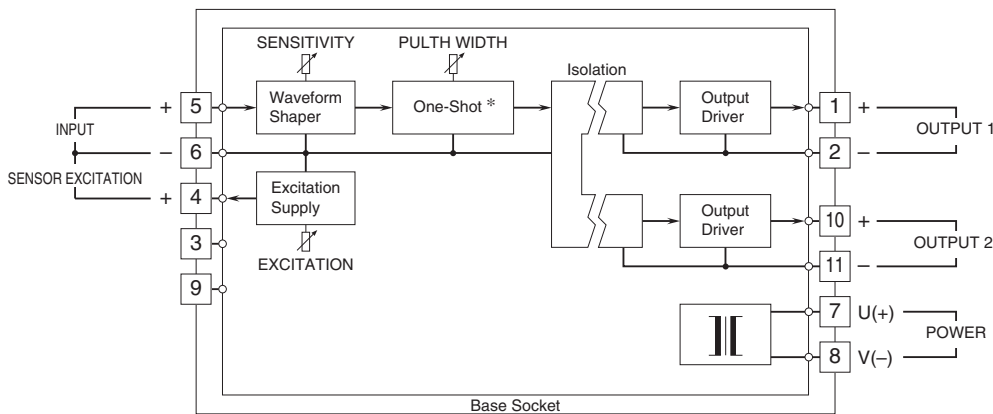
Input pulse rise/sink detected with voltage level

EXTERNAL DIMENSIONS & TERMINAL ASSIGNMENTS unit: mm (inch)



• When mounting, no extra space is needed between units.

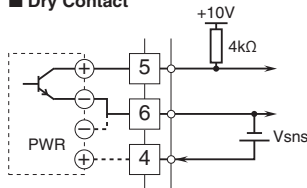
SCHEMATIC CIRCUITRY & CONNECTION DIAGRAM



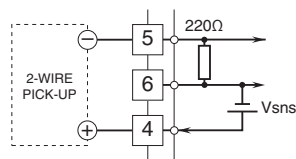
*Disregard one-shot circuit for output pulse width code "1".

Input Connection Examples

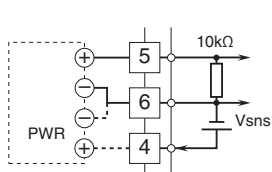
■ Dry Contact



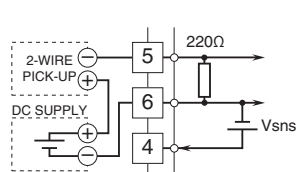
■ 2-Wire Current Pulse • Built-in Excitation



■ Voltage Pulse

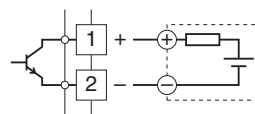


• External DC Supply

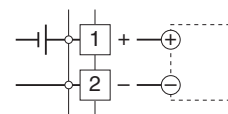


Output Connection Examples

■ Open Collector

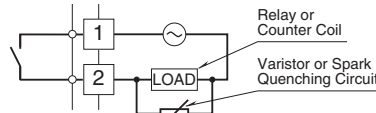


■ Voltage Pulse

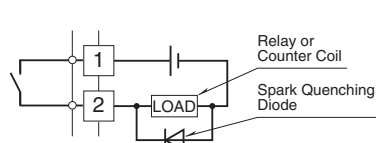


■ Relay Contact

• AC Powered



• DC Powered





Specifications are subject to change without notice.