

Dual Output Plug-in Signal Conditioners W-UNIT

a greater load.

THERMOCOUPLE TRANSMITTER

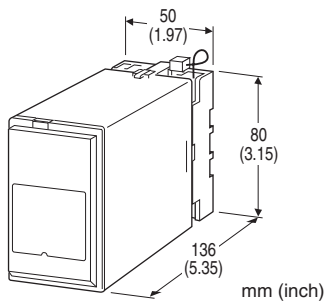
(field-programmable)

Functions & Features

- Accepting direct input from a thermocouple and providing standard process signal
- Micro-processor based
- Field-programmable T/C type and temperature range
- Linearization
- Burnout protection
- High accuracy cold junction compensation
- Isolation up to 2000 V AC
- Loop testing via handheld programmer PU-2x
- High-density mounting

Typical Applications

- Ideal for quick spare part
- High-accuracy cold junction compensation benefits narrow span measurements
- 0.1 μ A burnout sensing enables long distance transmission with minimum offset drifts
- Electric furnace (isolation)
- No burnout type can connect to a single T/C in parallel with a recorder



MODEL: WJT-[1][2][3]-[4][5]

ORDERING INFORMATION

- Code number: WJT-[1][2][3]-[4][5]
- Specify a code from below for each of [1] through [5].
(e.g. WJT-2AA-B/BL/Q)
- Temperature range (e.g. 0 - 800°C)
- K thermocouple setting will be used if the input code is not specified.
- Special output ranges (For codes Z & 0)
- Specify the specification for option code /Q
(e.g. /C01/S01)

Note: When the user requires a current and a voltage output, specify the current to be the Output 1 which allows

[1] INPUT THERMOCOUPLE

- 1: (PR) (Usable Range 0 to 1760°C, 32 to 3200°F)
- 2: K (CA) (Usable range -270 to +1370°C, -454 to +2498°F)
- 3: E (CRC) (Usable range -270 to +1000°C, -454 to +1832°F)
- 4: J (IC) (Usable range -210 to +1200°C, -346 to +2192°F)
- 5: T (CC) (Usable range -270 to +400°C, -454 to +752°F)
- 6: B (RH) (Usable range 0 to 1820°C, 32 to 3308°F)
- 7: R (Usable range -50 to +1760°C, -58 to +3200°F)
- 8: S (Usable range -50 to +1760°C, -58 to +3200°F)
- 9: WRe 5-26 (Usable range 0 to 2320°C, 32 to 4200°F)
- N: N (Usable range -270 to +1300°C, -454 to +2372°F)
- 0: Specify

[2] OUTPUT 1

Current

- A: 4 - 20 mA DC (Load resistance 600 Ω max.)
- B: 2 - 10 mA DC (Load resistance 1200 Ω max.)
- C: 1 - 5 mA DC (Load resistance 2400 Ω max.)
- D: 0 - 20 mA DC (Load resistance 600 Ω max.)
- E: 0 - 16 mA DC (Load resistance 750 Ω max.)
- F: 0 - 10 mA DC (Load resistance 1200 Ω max.)
- G: 0 - 1 mA DC (Load resistance 12 k Ω max.)
- Z: Specify current (See OUTPUT SPECIFICATIONS)

Voltage

- 1: 0 - 10 mV DC (Load resistance 10 k Ω min.)
- 2: 0 - 100 mV DC (Load resistance 100 k Ω min.)
- 3: 0 - 1 V DC (Load resistance 1000 Ω min.)
- 4: 0 - 10 V DC (Load resistance 10 k Ω min.)
- 5: 0 - 5 V DC (Load resistance 5000 Ω min.)
- 6: 1 - 5 V DC (Load resistance 5000 Ω min.)
- 0: Specify voltage (See OUTPUT SPECIFICATIONS)

[3] OUTPUT 2

Current

- A: 4 - 20 mA DC (Load resistance 350 Ω max.)
- B: 2 - 10 mA DC (Load resistance 700 Ω max.)
- C: 1 - 5 mA DC (Load resistance 1400 Ω max.)
- D: 0 - 20 mA DC (Load resistance 350 Ω max.)
- E: 0 - 16 mA DC (Load resistance 430 Ω max.)
- F: 0 - 10 mA DC (Load resistance 700 Ω max.)
- G: 0 - 1 mA DC (Load resistance 7000 Ω max.)
- Z: Specify current (See OUTPUT SPECIFICATIONS)

Voltage

Same range availability as Output 1

[4] POWER INPUT**AC Power**

B: 100 V AC
 C: 110 V AC
 D: 115 V AC
 F: 120 V AC
 G: 200 V AC
 H: 220 V AC
 J: 240 V AC

DC Power

S: 12 V DC
 R: 24 V DC
 V: 48 V DC

[5] OPTIONS (multiple selections)**Burnout**

blank: Upscale burnout
 /BL: Downscale burnout
 /BN: No burnout

Other Options

blank: none
 /Q: Option other than the above (specify the specification)

SPECIFICATIONS OF OPTION: Q (multiple selections)**COATING (For the detail, refer to M-System's web site.)**

/C01: Silicone coating
 /C02: Polyurethane coating
 /C03: Rubber coating

TERMINAL SCREW MATERIAL

/S01: Stainless steel

RELATED PRODUCTS

- Programming Unit (model: PU-2x)
- PC configurator software (model: JXCON)

Downloadable at M-System's web site.

A dedicated cable is required to connect the module to the PC. Please refer to the internet software download site or the users manual for the PC configurator for applicable cable types.

GENERAL SPECIFICATIONS

Construction: Plug-in

Connection: M3.5 screw terminals

Screw terminal: Chromated steel (standard) or stainless steel

Housing material: Flame-resistant resin (black)

Isolation: Input to output 1 to output 2 to power

Overrange output: Approx. -10 to +120 % at 1 - 5 V

Zero adjustment: -5 to +5 % (front)

Span adjustment: 95 to 105 % (front)

Adjustable individually for each output 1 and output 2.

Linearization: Standard

Cold junction compensation: CJC sensor attached to the input terminals

Adjustments: Programming Unit (model: PU-2x); (Refer to the users manual of JXCON for the adjustments configurable with JXCON.)

- T/C type
- temp. range
- zero and span
- simulating output
- Others

INPUT SPECIFICATIONS

Minimum span: 3 mV

Offset: Max. 3 times span

Input resistance: 20 kΩ min.

Burnout sensing: 0.1 μA

Minimum span in °C and °F

(PR): 370°C, 670°F

K (CA): 75°C, 140°F

E (CRC): 50°C, 90°F

J (IC): 60°C, 110°F

T (CC): 75°C, 140°F

B (RH): 780°C, 1410°F

R: 360°C, 650°F

S: 380°C, 690°F

WRe 5-26: 200°C, 360°F

N: 110°C, 200°F

Remark: The described accuracy may be partially not satisfied when the temperature ranges below 0°C. Consult factory.

If not specified, the input range is shown below.

(PR): 0 to 1600°C

K (CA): 0 to 1000°C

E (CRC): 0 to 500°C

J (IC): 0 to 500°C

T (CC): 0 to 300°C

B (RH): 0 to 1800°C

R: 0 to 1600°C

S: 0 to 1600°C

WRe 5-26: 0 to 2000°C

N: 0 to 1000°C

OUTPUT SPECIFICATIONS

- **DC Current:** 0 - 20 mA DC
- Minimum span:** 1 mA
- Offset:** Max. 1.5 times span
- Load resistance:** Output drive 12 V max. for Output 1;
7 V max. for Output 2
- **DC Voltage:** -10 - +10 V DC
- Minimum span:** 5 mV
- Offset:** Max. 1.5 times span
- Load resistance:** Output drive 1 mA max.; at ≥ 0.5 V

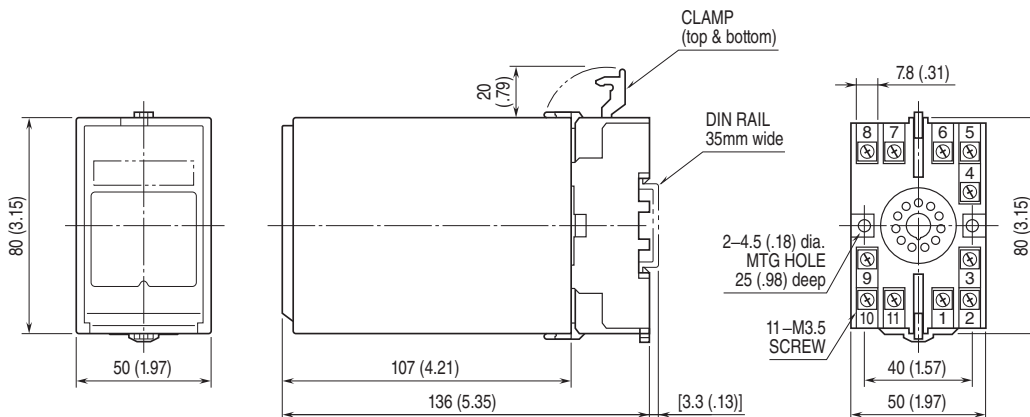
INSTALLATION

- Power input**
- **AC:** Operational voltage range: rating ± 10 %, 50/60 ± 2 Hz, approx. 3.5 VA
 - **DC:** Operational voltage range: rating ± 10 % ripple 10 %p-p max., approx. 2.6 W (110 mA at 24 V)
- Operating temperature:** -5 to +55°C (23 to 131°F)
Operating humidity: 30 to 90 %RH (non-condensing)
Mounting: Surface or DIN rail
Weight: 400 g (0.88 lb)

PERFORMANCE in percentage of span

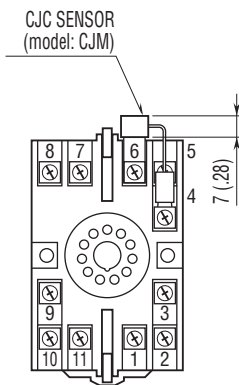
- Accuracy:** ± 0.1 %
Linearization accuracy: ± 0.05 %
Cold junction compensation error: $\pm 0.5^\circ\text{C}$ or $\pm 0.9^\circ\text{F}$
 (at $20^\circ\text{C} \pm 10^\circ\text{C}$ or $68^\circ\text{F} \pm 18^\circ\text{F}$)
Temp. coefficient: ± 0.015 %/°C (± 0.008 %/°F)
Response time: ≤ 0.8 sec. (0 - 90 %)
Burnout response: ≤ 10 sec.
Line voltage effect: ± 0.1 % over voltage range
Insulation resistance: ≥ 100 M Ω with 500 V DC
Dielectric strength: 2000 V AC @1 minute
 (input to output to power to ground)
 1000 V AC @ 1 minute (output 1 to output 2)

EXTERNAL DIMENSIONS unit: mm (inch)

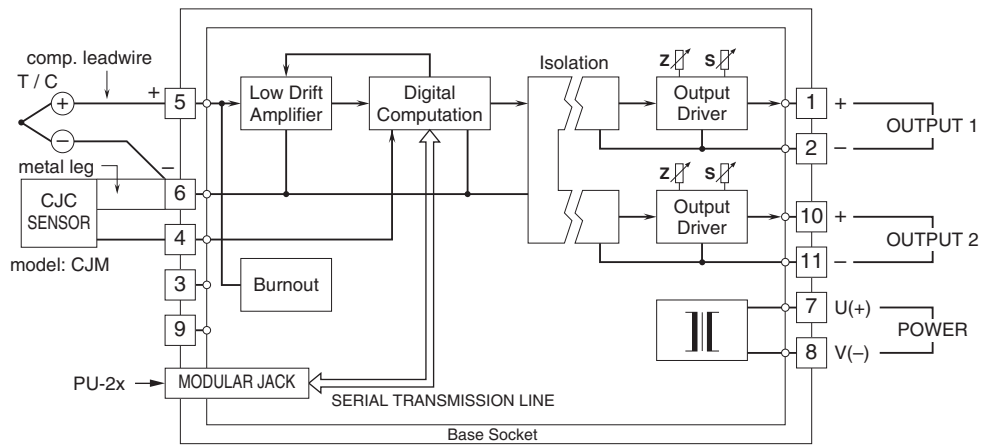


• When mounting, no extra space is needed between units.

TERMINAL ASSIGNMENTS unit: mm (inch)



SCHEMATIC CIRCUITRY & CONNECTION DIAGRAM



Specifications are subject to change without notice.