

Dual Output Plug-in Signal Conditioners W-UNIT

3-input MATH FUNCTION MODULE

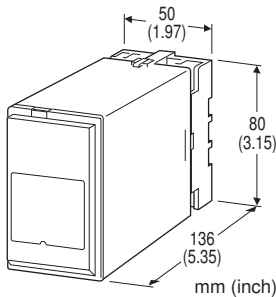
(field-programmable)

Functions & Features

- Providing temperature and pressure compensation for a gas flow, and other arithmetic operations
- Microprocessor based
- Equation and parameters selectable on site via hand-held programmer PU-2x
- Loop testing
- Isolation up to 2000 V AC
- High-density mounting

Typical Applications

- Various flowmeters
- Adding three flows
- Calculating average temperature



MODEL: WJFK-[1][2][3]-[4][5]

ORDERING INFORMATION

- Code number: WJFK-[1][2][3]-[4][5]
- Specify a code from below for each of [1] through [5].
(e.g. WJFK-6AA-B/2/Q)
- Special output ranges (For codes Z & 0)
 - Parameters
- Use Ordering Information Sheet (No. ESU-1681) to specify parameters. Default setting will be used if not otherwise specified.
($K_0 = 1, K_1 = 1, K_2 = 1, K_3 = 1, A_0 = 0 \%, A_1 = 0 \%, A_2 = 0 \%, A_3 = 0 \%$)
- Specify the specification for option code /Q
(e.g. /C01/S01)

Note: When the user requires a current and a voltage output, specify the current to be the Output 1 which allows a greater load.

[1] INPUT

Current

A: 4 - 20 mA DC (Input resistance 100 Ω)

Voltage

6: 1 - 5 V DC (Input resistance 1 MΩ min.)

[2] OUTPUT 1

Current

A: 4 - 20 mA DC (Load resistance 600 Ω max.)

B: 2 - 10 mA DC (Load resistance 1200 Ω max.)

C: 1 - 5 mA DC (Load resistance 2400 Ω max.)

D: 0 - 20 mA DC (Load resistance 600 Ω max.)

E: 0 - 16 mA DC (Load resistance 750 Ω max.)

F: 0 - 10 mA DC (Load resistance 1200 Ω max.)

G: 0 - 1 mA DC (Load resistance 12 kΩ max.)

Z: Specify current (See OUTPUT SPECIFICATIONS)

Voltage

1: 0 - 10 mV DC (Load resistance 10 kΩ min.)

2: 0 - 100 mV DC (Load resistance 100 kΩ min.)

3: 0 - 1 V DC (Load resistance 1000 Ω min.)

4: 0 - 10 V DC (Load resistance 10 kΩ min.)

5: 0 - 5 V DC (Load resistance 5000 Ω min.)

6: 1 - 5 V DC (Load resistance 5000 Ω min.)

4W: -10 - +10 V DC (Load resistance 10 kΩ min.)

5W: -5 - +5 V DC (Load resistance 5000 Ω min.)

0: Specify voltage (See OUTPUT SPECIFICATIONS)

[3] OUTPUT 2

Current

A: 4 - 20 mA DC (Load resistance 350 Ω max.)

B: 2 - 10 mA DC (Load resistance 700 Ω max.)

C: 1 - 5 mA DC (Load resistance 1400 Ω max.)

D: 0 - 20 mA DC (Load resistance 350 Ω max.)

E: 0 - 16 mA DC (Load resistance 430 Ω max.)

F: 0 - 10 mA DC (Load resistance 700 Ω max.)

G: 0 - 1 mA DC (Load resistance 7000 Ω max.)

Z: Specify current (See OUTPUT SPECIFICATIONS)

Voltage

Same range availability as Output 1

[4] POWER INPUT

AC Power

B: 100 V AC
 C: 110 V AC
 D: 115 V AC
 F: 120 V AC
 G: 200 V AC
 H: 220 V AC
 J: 240 V AC

DC Power

S: 12 V DC
 R: 24 V DC
 V: 48 V DC

[5] OPTIONS (multiple selections)

Equation (Refer to the EQUATION table)

/1: Temp. & pressure compensation for DP flowmeter (ideal gas)

/2: Addition/subtraction

/3: Multiplication

/4: Multiplication/division

/5: Multiplication/division

/6: Addition/multiplication

/7: Addition/division

/8: Addition/division

/9: Addition/multiplication

/10: Addition/division

Other Options

blank: none

/Q: Option other than the above (specify the specification)

SPECIFICATIONS OF OPTION: Q (multiple selections)

COATING

/C01: Silicone coating

/C02: Polyurethane coating

/C03: Rubber coating

TERMINAL SCREW MATERIAL

/S01: Stainless steel

EQUATION

Equation parameters

X₀: output (%)

X₁ to X₃: input (%)

K₀ to K₃: gain ±29.999

A₀ to A₃: bias (%) ±299.99 %

EQUATION

/1: Temp. & pressure compensation for DP flowmeter (ideal gas)

$$X_0 = K_1 X_1 \sqrt{\frac{K_2 X_2 + A_2}{K_3 X_3 + A_3}}$$

where X₀ : compensated flow (linear characteristic)

X₁ : uncompensated flow (sq. root extraction available)

X₂ : pressure

X₃ : temperature

/2: Addition/subtraction

$$X_0 = K_0 \{K_1 (X_1 + A_1) + K_2 (X_2 + A_2) + K_3 (X_3 + A_3)\} + A_0$$

/3: Multiplication

$$X_0 = K_0 (K_1 X_1 + A_1) (K_2 X_2 + A_2) (K_3 X_3 + A_3) + A_0$$

/4: Multiplication/division

$$X_0 = \frac{K_0 (K_1 X_1 + A_1) (K_2 X_2 + A_2)}{(K_3 X_3 + A_3)} + A_0$$

/5: Multiplication/division

$$X_0 = \frac{K_0 (K_1 X_1 + A_1)}{(K_2 X_2 + A_2) (K_3 X_3 + A_3)} + A_0$$

/6: Addition/multiplication

$$X_0 = K_0 (K_1 X_1 + K_2 X_2 + A_1) (K_3 X_3 + A_3) + A_0$$

/7: Addition/division

$$X_0 = \frac{K_0 (K_1 X_1 + K_2 X_2 + A_1)}{(K_3 X_3 + A_3)} + A_0$$

/8: Addition/division

$$X_0 = \frac{K_0 (K_1 X_1 + A_1)}{(K_2 X_2 + K_3 X_3 + A_2)} + A_0$$

/9: Addition/multiplication

$$X_0 = K_0 (K_1 X_1 + A_1) + K_0 (K_2 X_2 + A_2) (K_3 X_3 + A_3) + A_0$$

/10: Addition/division

$$X_0 = K_0 (K_1 X_1 + A_1) + \frac{K_0 (K_2 X_2 + A_2)}{(K_3 X_3 + A_3)} + A_0$$

RELATED PRODUCTS

- Programming Unit (model: PU-2x)
- PC configurator software (model: JXCON)

Downloadable at M-System's web site.

A dedicated cable is required to connect the module to the PC. Please refer to the internet software download site or the users manual for the PC configurator for applicable cable types.

GENERAL SPECIFICATIONS

Construction: Plug-in
Connection: M3.5 screw terminals
Screw terminal: Chromated steel (standard) or stainless steel
Housing material: Flame-resistant resin (black)
Isolation: Input to output 1 to output 2 to power (non-isolated between inputs)
Overrange input: Approx. -25 to +125 %
Overrange output: Approx. -10 to +120 % at 1 - 5 V
Zero adjustment: -5 to +5 % (front)
Span adjustment: 95 to 105 % (front)
Adjustable individually for each output 1 and output 2.
Adjustments: Programming Unit (model: PU-2x); equation and parameters, square root extraction, zero and span, etc. (Refer to the users manual of JXCON for the adjustments configurable with JXCON.)

Line voltage effect: ± 0.1 % over voltage range
Insulation resistance: ≥ 100 M Ω with 500 V DC
Dielectric strength: 2000 V AC @1 minute
(input to output to power to ground)
1000 V AC @ 1 minute (output 1 to output 2)

INPUT SPECIFICATIONS

■ **DC Current:** Input resistor incorporated

OUTPUT SPECIFICATIONS

■ **DC Current:** 0 - 20 mA DC
Minimum span: 1 mA
Offset: Max. 1.5 times span
Load resistance: Output drive 12 V max. for Output 1;
7 V max. for Output 2
■ **DC Voltage:** -10 - +10 V DC
Minimum span: 5 mV
Offset: Max. 1.5 times span
Load resistance: Output drive 1 mA max.; at ≥ 0.5 V

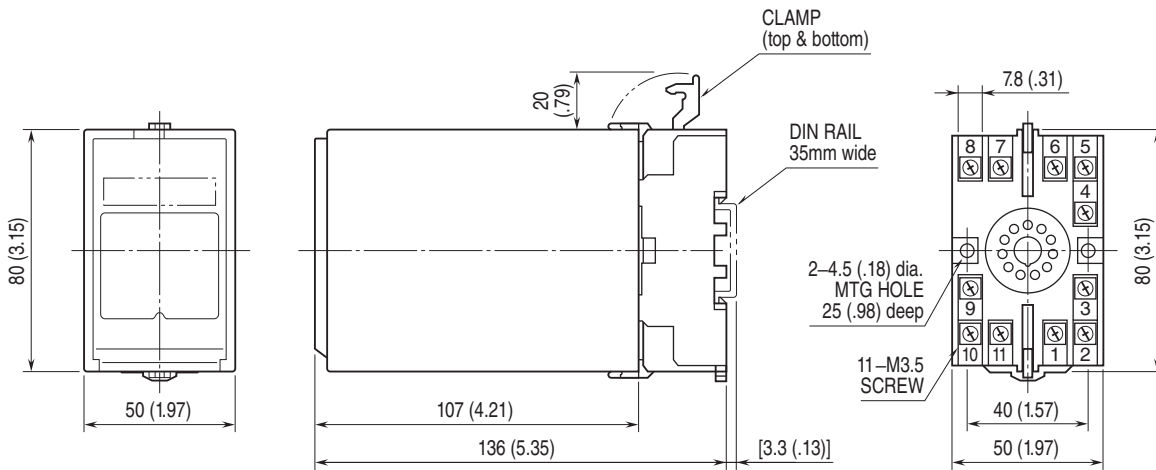
INSTALLATION

Power input
• **AC:** Operational voltage range: rating ± 10 %, 50/60 ± 2 Hz, approx. 3.5 VA
• **DC:** Operational voltage range: rating ± 10 % ripple 10 %p-p max., approx. 2.6 W (110 mA at 24 V)
Operating temperature: -5 to +55°C (23 to 131°F)
Operating humidity: 30 to 90 %RH (non-condensing)
Mounting: Surface or DIN rail
Weight: 400 g (0.88 lb)

PERFORMANCE in percentage of span

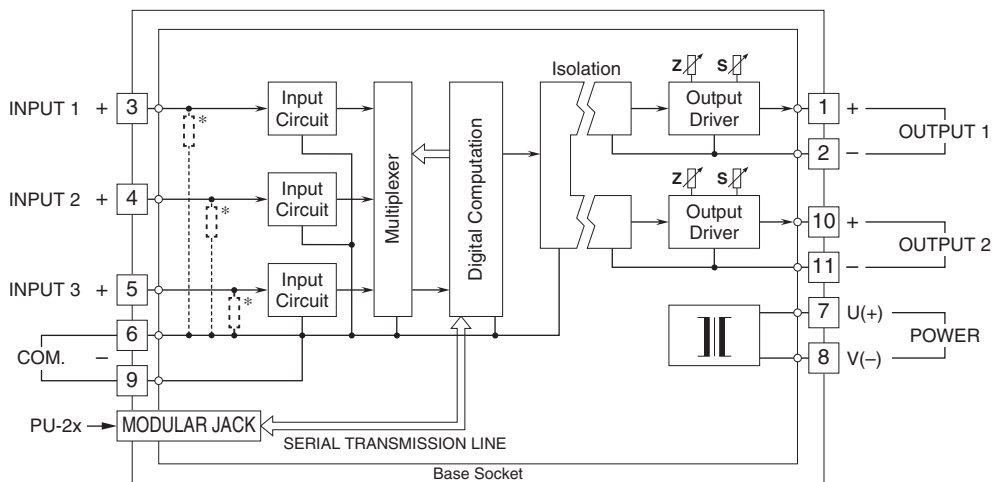
Accuracy: Input accuracy + output accuracy
Input accuracy: ± 0.2 % (gain ≤ 1)
[± 0.2 % \times gain] with gain > 1
Output accuracy: ± 0.2 %
Temp. coefficient: ± 0.015 %/°C (± 0.008 %/°F)
Response time: ≤ 1.2 sec. (0 - 90 %)

EXTERNAL DIMENSIONS & TERMINAL ASSIGNMENTS unit: mm (inch)



• When mounting, no extra space is needed between units.

SCHEMATIC CIRCUITRY & CONNECTION DIAGRAM



*Input shunt resistor incorporated for current inputs.



Specifications are subject to change without notice.