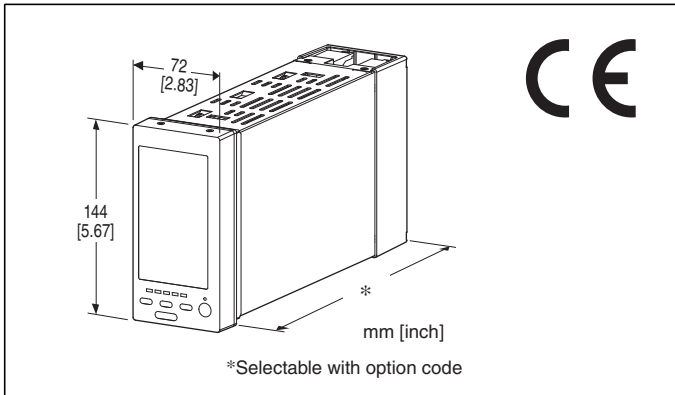


## Single Loop Controller Series

### MULTI-FUNCTION PID CONTROLLER

(color LCD with touch-panel, MV output backup)



### MODEL: SC110-[1]0-[2][3]

#### ORDERING INFORMATION

- Code number: SC110-[1]0-[2][3]  
Specify a code from below for each of [1] through [3].  
(e.g. SC110-10-M2/3/M2/E/1/T/Q)
- Specify the specification for option code /Q  
(e.g. /C01/S01)

#### [1] DISCRETE OUTPUT

- 1: Relay contact
- 2: Photo MOSFET relay

#### MODBUS

0:None

#### [2] POWER INPUT

##### AC Power

M2: 100 - 240 V AC (Operational voltage range 85 - 264 V, 50/60 Hz)

##### DC Power

R: 24 V DC

(Operational voltage range 24 V  $\pm$ 10 %, ripple 10 %p-p max.)

#### [3] OPTIONS (multiple selections)

##### Housing Depth (must be specified)

- /300: 300 mm (Discontinued, select /3)
- /400: 400 mm (Discontinued, select /4)
- /600: 600 mm (Discontinued, select /6)

/3: 300 mm

/4: 400 mm

/6: 600 mm

##### Backup Module Power Supply

blank: Single supply

/M2: 100 - 240 V AC (dual supply)

(Operational voltage range 85 - 264 V AC; 50/60 Hz)

/R: 24 V DC (dual supply)

(Operational voltage range 24 V DC  $\pm$ 10 %;

ripple 10 %p-p max.)

Control/Backup modules are powered from common terminals with 'single' supply type; powered from independent terminals with 'dual' supply type.

#### Language

blank: Japanese

/E: English

(Language (Japanese or English) can be chosen by front panel setting.)

#### Configurator Interface

blank: Infrared

/1: Stereo jack

(If external noise interference is a concern, stereo jack type is recommended.)

#### Terminal block

blank: One block terminal

/T: Separable terminal

#### Other Options

blank: none

/Q: Option other than the above (specify the specification)

#### SPECIFICATIONS OF OPTION: Q (multiple selections)

##### COATING (For the detail, refer to M-System's web site.)

/C01: Silicone coating

/C02: Polyurethane coating

/C03: Rubber coating

##### TERMINAL SCREW MATERIAL

/S01: Stainless steel

#### FUNCTIONS & FEATURES

##### Functions & Features

- Color LCD with touch panel
- Five Operation views (digital display, bargraph, dual-loop bargraph, short trend and user's parameter table views)
- Enhanced screen functions for engineering (configuration, programming and tuning views)
- Universal input x 2 points, analog input x 4 points, discrete input x 6 points, pulse input x 5 points, high speed pulse input x 1 point
- Current output (4-20 mA) x 2 points, voltage output (1-5 V) x 2 points, relay or photo-MOSFET relay output x 5 points
- RUN contact output (relay) x 1 point
- Computation cycle selectable between 50 msec. and 3 sec. (control cycle selectable between 1 and 64 times of the computation cycle)
- Two PID function blocks

- Advanced computation and sequence control functions
- Auto-tuning function
- Parameter input and changing with touch panel
- Function parameter setting, list printing and data downloading/uploading available with Loop Configuration Builder Software (model: SFEW3E)
- Display parameter setting, saving and transfer with PC Configurator Software (model: SCCFG)
- Backup module (applicable to Mv2 only) is incorporated for manual loading: MV output is automatically switched to manual control in case of control module abnormality
- Independent power supply usable for the manual loader
- Control module can be extracted at the front for replacement while MV output is maintained
- Selectable housing depth for ease of using existing wires in replacement: 300 mm, 400 mm and 600 mm
- Separable terminal block

## Typical Applications

- Replacement of conventional controllers
- Panel operation for small-scale instrumentation

## RELATED PRODUCTS

- PC Configurator cable (model: COP-US)
  - Loop configuration builder software (model: SFEW3E Ver. 1.40 or later)
  - Infrared communication adaptor (model: COP-IRDA)
  - PC configurator software (model: SCCFG Ver.1.50 or later)
- Builder software and configurator software are downloadable at M-System's web site.

## ACCESSORIES

- Precision resistor module (model: REM4): 2
  - Cold junction sensor: 2
  - Mounting brackets: 2
  - Connector adapter: 1
- (included in Stereo jack type. The jack on the unit and the plug of PC Configurator cable (not included in the product) are different in size.)

## GENERAL SPECIFICATIONS

**Construction:** Panel flush mounting

**Degree of protection:** IP55; ensured for the front panel of the unit independently mounted to a panel

### Connection

**Terminal screws:** M3.5 screw terminals (torque 1.0 N·m)

**Terminal fixing screws:** M4 screw terminals (torque 1.2 N·m)

**Backup module power supply terminal (option /M2, /R):**  
Euro terminal block (applicable wire size: dia. 2.4 max., 0.5 - 2.5 mm<sup>2</sup>, stripped length 10 mm)

### Screw terminal

**Terminal screws:** Nickel-plated steel (standard) or stainless steel

**Terminal fixing screws:** Chrome-plated steel

**Housing material:** Flame-resistant resin (gray), steel

**Isolation:** Pv1 to Pv2 to supply output to Ai1 or Ai2 or Ai3 or Ai4 to Di1 or Di2 or Di3 or Di4 or Di5 or Pi1 or Pi2 or Pi3 or Pi4 or Pi5 to Di6 or Pi6 to Mv1 to Mv2 or Mv2B to Ao1 or Ao2 to Do1 to Do2 to Do3 to Do4 to Do5 to Do6 to power to backup module power to FG

**PID control:** Single loop, cascade, advanced

**Proportional band (P):** 1 to 1000 %

**Integral time (I):** 0.01 to 100 minutes

**Derivative time (D):** 0.01 to 10 minutes

**Auto-tuning:** Limit cycle method

**Alarm:** PV high & low, deviation, rate of change

**Computation:** 48 functions blocks available for arithmetic operations, time functions, signal selection, limit, alarm and other functions

**Sequence operation:** Logic sequence and step sequence (max. 1068 commands)

**Computation cycle:** 50 msec. to 3 sec. (control cycle selectable among 1, 2, 4, 8, 16, 32 and 64 times of the computation cycle)

**MV output range:** -15 - +115 %

**Parameter setting:** With touch panel or PC (Loop Configuration Builder Software model: SFEW3E)

**Self diagnostics:** CPU monitoring with a watchdog timer

**RUN contact:** OFF in error detected by diagnostic

**Infrared communication:** Transmission distance max. 0.2 meter (for use with the COP-IRDA)

### ■ Display

**Display device:** 4.3-inch TFT LCD

**Display colors:** 256

**Resolution:** 480 × 272 pixels

**Pixel pitch:** 0.198 × 0.198 mm (128 × 128 DPI)

**Backlight:** LED

**Backlight life:** Approx. 50 000 hours (at 50 % brightness)

Note: The backlight can be replaced in M-System factory. The LCD must be replaced at the same time.

**Screen saver standby time:** 1 to 99 minutes

**Scaling range:** -32000 to +32000

**Decimal point position:** 10<sup>-1</sup>, 10<sup>-2</sup>, 10<sup>-3</sup>, 10<sup>-4</sup>, 10<sup>-5</sup> or none

**Scale divisions:** 2 to 10

**Engineering unit indication:** Max. 8 characters

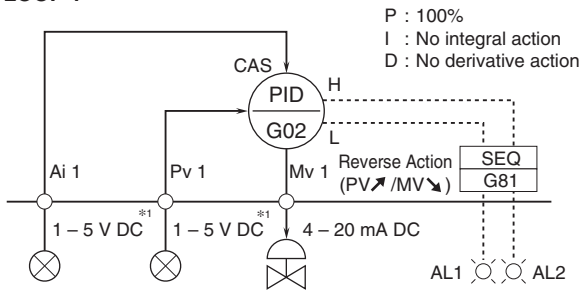
**Auto/Man indicator:** Green/Amber LED

**Backup mode MV output setting indicator:** Blue LED

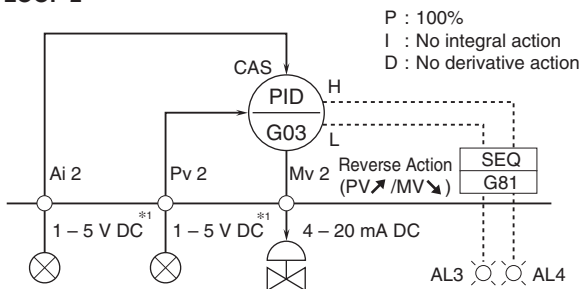
**MV output setting indicator:** Blue LED

## FACTORY DEFAULT

### ■ LOOP 1



### ■ LOOP 2



\*1. Factory default setting  
Use Loop Configuration Builder Software (model: SFEW3E)  
to modify setting.

## SUPPLY OUTPUT

### Output voltage:

24 V DC  $\pm 10\%$  with no load  
18 V DC min. at 20 mA

Current rating:  $\leq 22$  mA DC

### • Shortcircuit protection

Current limited: Approx. 30 mA

## INPUT SPECIFICATIONS

### ■ Pv1, Pv2 (universal input)

• Current input: 4 - 20 mA DC with input resistance 250  $\Omega$  (REM4)

• Voltage input: -10 - +10 V DC

-1 - +1 V DC

0 - 10 V DC

1 - 5 V DC

0 - 1 V DC

Input resistance:  $\geq 1$  M $\Omega$

• Thermocouple input: K, E, J, T, B, R, S, C, N, U, L, P, PR (See Table 1)

Input resistance:  $\geq 30$  k $\Omega$

Burnout sensing:  $\leq 0.3$   $\mu$ A

Burnout indication: 115 % of the measuring range (upscale)

• RTD input: Pt100 (JIS '97, IEC), Pt100 (JIS '89), JPt100 (JIS '89), Pt50 $\Omega$  (JIS '81), Ni100 (See Table 2)

Maximum lead wire resistance: 100  $\Omega$  per wire

Burnout indication: 115 % of the measuring range (upscale)

Sensing current:  $\leq 1$  mA

• Potentiometer input: Total resistance 100  $\Omega$  to 10 k $\Omega$

Minimum span: 50 % of total resistance

Excitation:  $\leq 0.6$  V DC

### ■ Ai1, Ai2, Ai3, Ai4

• Voltage input: 1 - 5 V DC

Input resistance:  $\geq 1$  M $\Omega$

■ Pi1, Pi2, Pi3, Pi4, Pi5: Dry contact

(Di1 through Di5 are assigned to the same terminals respectively.)

Maximum frequency: 20 Hz

Minimum pulse width: 25 msec.

Common: Negative common per 5 points

Sensing: Approx. 12 V DC, 6 mA

ON voltage/resistance:  $\leq 2.25$  V,  $\leq 1.5$  k $\Omega$

OFF voltage/resistance:  $\geq 11.25$  V  $\geq 15$  k $\Omega$

■ Pi6: Dry contact

(Di6 is assigned to the same terminal.)

Maximum frequency: 10 kHz

Minimum pulse width: 0.05 msec.

Common: Negative common

Sensing: Approx. 12 V DC, 12 mA

ON voltage/resistance:  $\leq 2$  V,  $\leq 1.5$  k $\Omega$

OFF voltage/resistance:  $\geq 11$  V,  $\geq 15$  k $\Omega$

Excitation: 12 V DC  $\pm 10\%$ , 15 mA

Current limiting circuit: Approx. 30 mA

■ Di1, Di2, Di3, Di4, Di5: Dry contact

(Pi1 through Pi5 are assigned to the same terminals respectively.)

Common: Negative common per 5 points

Sensing: Approx. 12 V DC, 6 mA

ON voltage/resistance:  $\leq 2.25$  V,  $\leq 1.5$  k $\Omega$

OFF voltage/resistance:  $\geq 11.25$  V  $\geq 15$  k $\Omega$

■ Di6: Dry contact

(Pi6 is assigned to the same terminal.)

Common: Negative common

Sensing: Approx. 12 V DC, 12 mA

ON voltage/resistance:  $\leq 2$  V,  $\leq 1.5$  k $\Omega$

OFF voltage/resistance:  $\geq 11$  V,  $\geq 15$  k $\Omega$

**[Table 1 (Thermocouple input)]**

T/C	USABLE RANGE (°C)	CONFORMANCE RANGE (°C)
K (CA)	-272 to +1472	-150 to +1370
E (CRC)	-272 to +1100	-170 to +1000
J (IC)	-260 to +1300	-180 to +1200
T (CC)	-272 to +500	-170 to +400
B (RH)	24 to 1920	1000 to 1760
R	-100 to +1860	380 to 1760
S	-100 to +1860	400 to 1760
C (WRe 5-26)	-52 to +2416	100 to 2315
N	-272 to +1400	-130 to +1300
U	-252 to +700	-200 to +600
L	-252 to +1000	-200 to +900
P (Platinel II)	-52 to +1496	0 to 1395
(PR)	-52 to +1860	300 to 1760

Overrange input (out of the usable range) is handled as burnout.

**[Table 2 (RTD input)]**

RTD	USABLE RANGE (°C)	CONFORMANCE RANGE (°C)
Pt 100 (JIS '97, IEC)	-240 to +900	-200 to +850
Pt 100 (JIS '89)	-240 to +900	-200 to +660
JPt 100 (JIS '89)	-236 to +560	-200 to +510
Pt 50Ω (JIS '81)	-236 to +700	-200 to +649
Ni 100	-100 to +252	-80 to +250

Overrange input (out of the usable range) is handled as burnout.

## OUTPUT SPECIFICATIONS

### ■ Mv1, Mv2, Mv2B

• **Current output:** 4 - 20 mA DC

**Load resistance:** ≤ 600 Ω

(Mv2B is the output from backup unit.)

### ■ Ao1, Ao2

• **Voltage output:** 1 - 5 V DC

**Load resistance:** ≥ 10 kΩ

### ■ Discrete Output

• **Do1, Do2, Do3, Do4, Do5, RUN contact (Do6):** Relay contact

**Rated load:** 250 V AC @1 A (cos φ = 1)

30 V DC @1 A (resistive load)

**Maximum switching voltage:** 250 V AC or 30 V DC

**Maximum switching power:** 250 VA or 60 W

**Minimum load:** 5 V DC @10 mA

**Mechanical life:** 2 × 10<sup>7</sup> cycles

• **Do1, Do2, Do3, Do4, Do5:** Photo MOSFET relay

**Rating:** 200 V AC/DC @0.5 A (resistive load)

**ON resistance:** 2.1 Ω

**Maximum frequency:** 4 Hz @24 V, 10 mA

**ON delay time:** ≤ 5.0 msec.

**OFF delay time:** ≤ 3.0 msec.

## INSTALLATION

### Power input

#### •AC:

Control module

≤ 25 VA at 100 V AC

≤ 40 VA at 240 V AC

Backup module

≤ 10 VA at 100 V AC

≤ 15 VA at 240 V AC

#### •DC

Control module: ≤ 650 mA

Backup module: ≤ 150 mA

**Operating temperature:** -5 to +55°C (23 to 131°F)

**Operating humidity:** 5 to 90 %RH (non-condensing)

**Mounting:** Panel flush mounting (high-density mounting in horizontal direction)

#### Weight:

Approx. 2.0 kg (4.41 lb) for 300 mm depth type

Approx. 2.5 kg (5.51 lb) for 400 mm depth type

Approx. 3.0 kg (6.61 lb) for 600 mm depth type

## PERFORMANCE

### Accuracy

**DC input:** ±0.1 % ±1 digit

**Thermocouple input:** ±1°C ±1 digit

±2°C ±1 digit for B, R, S, C and PR

**RTD input:** ±1°C ±1 digit

**Potentiometer input:** ±0.2 % ±1 digit

**DC output:** ±0.1 %

**Precision resistor module (REM4):** ±0.1 %

### Cold junction compensation:

±2°C at 25°C ±10°C

±4°C for S, R and PR

**Temp. coefficient:** ±0.015 %/°C (±0.008 %/°F)

DC input: ±0.015 %/°C (±0.008 %/°F)

Thermocouple input: ±0.015 %/°C (±0.008 %/°F)

RTD input: ±0.015 %/°C (±0.008 %/°F)

Potentiometer input: ±0.015 %/°C (±0.008 %/°F)

DC output: ±0.015 %/°C (±0.008 %/°F)

Precision resistor module (REM4): ±0.015 %/°C (±0.008 %/°F)

**Line voltage effect:** ±0.1 % over voltage range

**Calendar clock accuracy:** Monthly deviation 3 minutes at 25°C

**RAM memory duration in power failure for hot start:**

10 minutes assured

**Insulation resistance:** ≥ 100 MΩ with 500 V DC

### Dielectric strength:

1500 V AC @ 1 minute

(Pv1 or supply output to Pv2 or Ai1 or Ai2 or Ai3 or Ai4 to Di1 or Di2 or Di3 or Di4 or Di5 or Pi1 or Pi2 or Pi3 or Pi4 or Pi5 to Di6 or Pi6 to Mv1 to Mv2 or Mv2B or Ao1 or Ao2 to

Do1 to Do2 or Do3 or Do4 or Do5 or Do6 to power to backup  
module power to FG)  
500 V AC @ 1 minute (Pv2 to Ai1 or Ai2 or Ai3 or Ai4)  
500 V AC @ 1 minute (Mv2 or Mv2B to Ao1 or Ao2)  
500 V AC @ 1 minute (Do2 to Do3 to Do4 to Do5 to Do6)  
500 V AC @ 1 minute (Pv1 to supply output)

## **STANDARDS & APPROVALS**

### **EU conformity:**

EMC Directive

EMI EN 61000-6-4

EMS EN 61000-6-2

Low Voltage Directive

EN 61010-1

Measurement Category II (contact output)

Installation Category II (power)

Pollution degree 2

Input or output to contact output - Basic insulation (300  
V)

Input or output to power - Reinforced insulation (300 V)

RoHS Directive

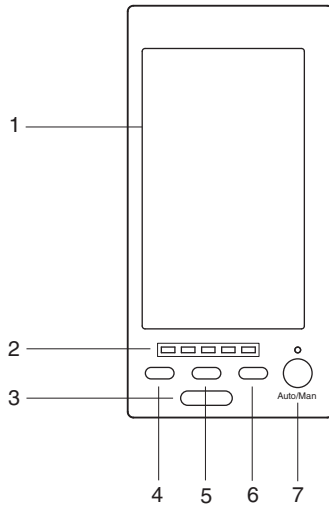
### **Protection against access to the terminal blocks:**

Finger protection (VDE 0660-514)

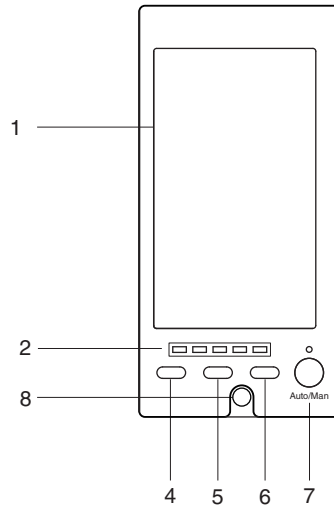
## EXTERNAL VIEW

### ■ CONTROL MODULE FRONT VIEW

#### • Infrared communication type

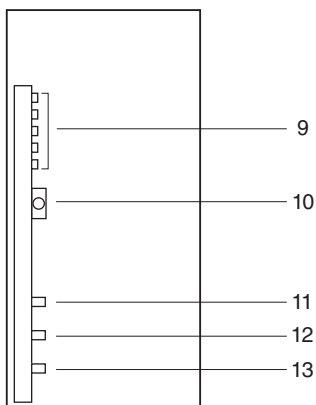


#### • Stereo jack type



1. TFT Color LCD with touch panel  
Provides operation and engineering views to facilitate monitoring and setting
2. MV output setting indicator LEDs for the backup mode
3. Infrared communication port  
Used to communicate with PC via IRDA Communication Adaptor (model: COP-IRDA) to program and change parameters using Loop Configuration Builder Software (model: SFEW3E) or PC Configurator Software (model: SCCFG)
4. MV value (DOWN) button
5. Acceleration button  
(Accelerates MV signal's changing speed by pressing simultaneously with MV value button)
6. MV value (UP) button
7. Auto / Man selector (changes the control mode for MV output)
8. Configurator jack and cap  
Connects with a PC where Loop Configuration Builder Software (model: SFEW3E) or PC configurator software (model: SCCFG) is installed via a PC configurator cable (model: COP-US) and enables programming and parameter setting

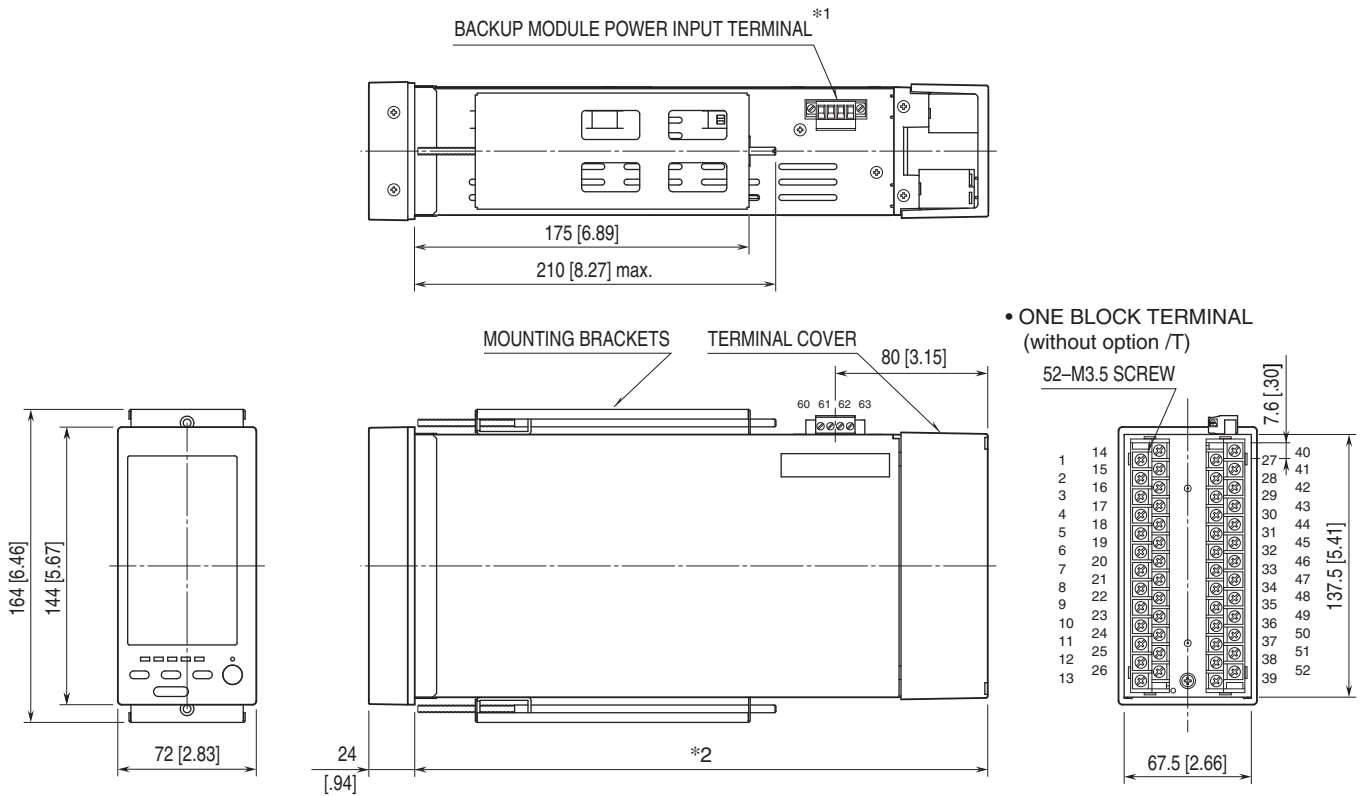
### ■ BACKUP MODULE



9. MV output setting indicators
10. Configurator jack
11. MV value (UP) button
12. Acceleration button  
(Accelerates MV signal's changing speed by pressing simultaneously with MV value button)
13. MV value (DOWN) button

## EXTERNAL DIMENSIONS & TERMINAL ASSIGNMENTS unit: mm [inch]

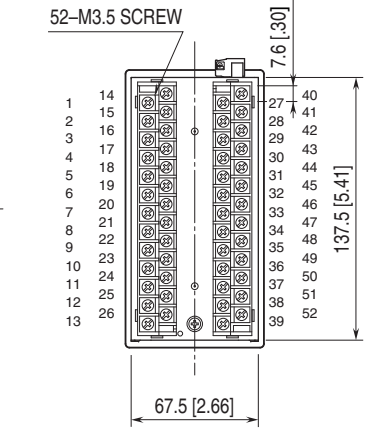
### ■ INFRARED COMMUNICATION TYPE



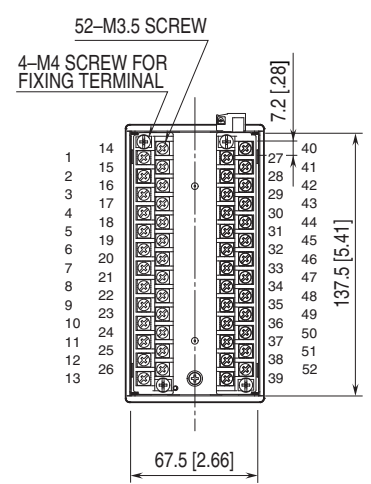
\*1. Option /M2, /R only

\*2. Option /3: 300 mm [11.81"]  
 Option /4: 400 mm [15.75"]  
 Option /6: 600 mm [23.62"]

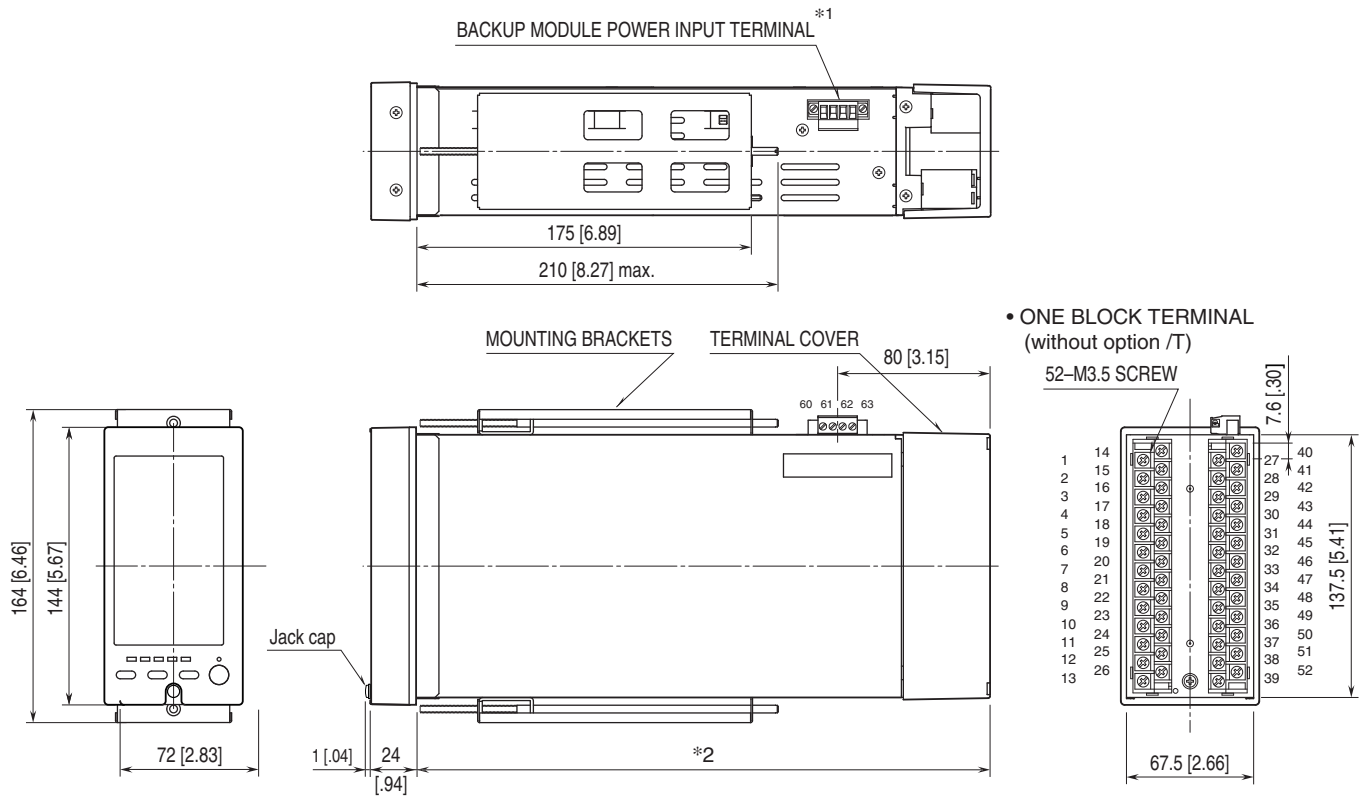
### • ONE BLOCK TERMINAL (without option /T)



### • SEPARABLE TERMINAL [with option /T]

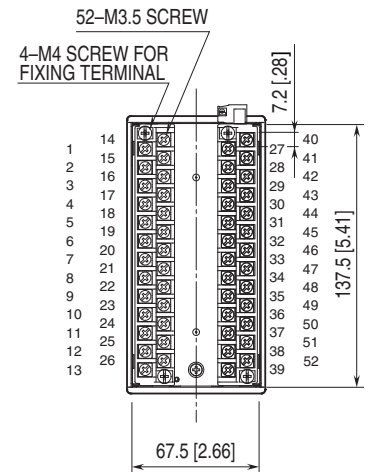


## ■ STEREO JACK TYPE



\*1. Option /M2, /R only    \*2. Option /3: 300 mm [11.81"]  
 Option /4: 400 mm [15.75"]  
 Option /6: 600 mm [23.62"]

## • SEPARABLE TERMINAL (with option /T)

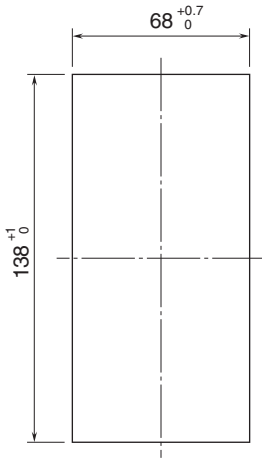




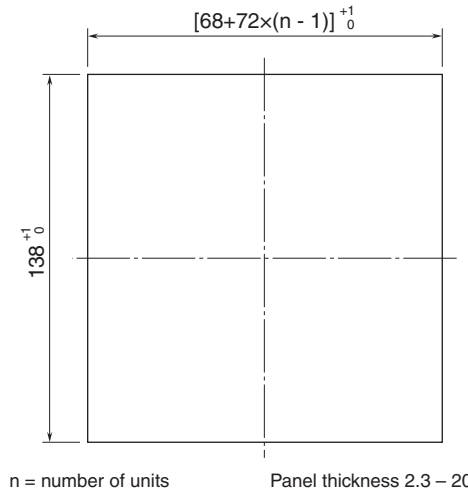
**MOUNTING REQUIREMENTS unit: mm**

■ PANEL CUTOUT unit: mm

• Single mounting



• Clustered mounting



■ Caution

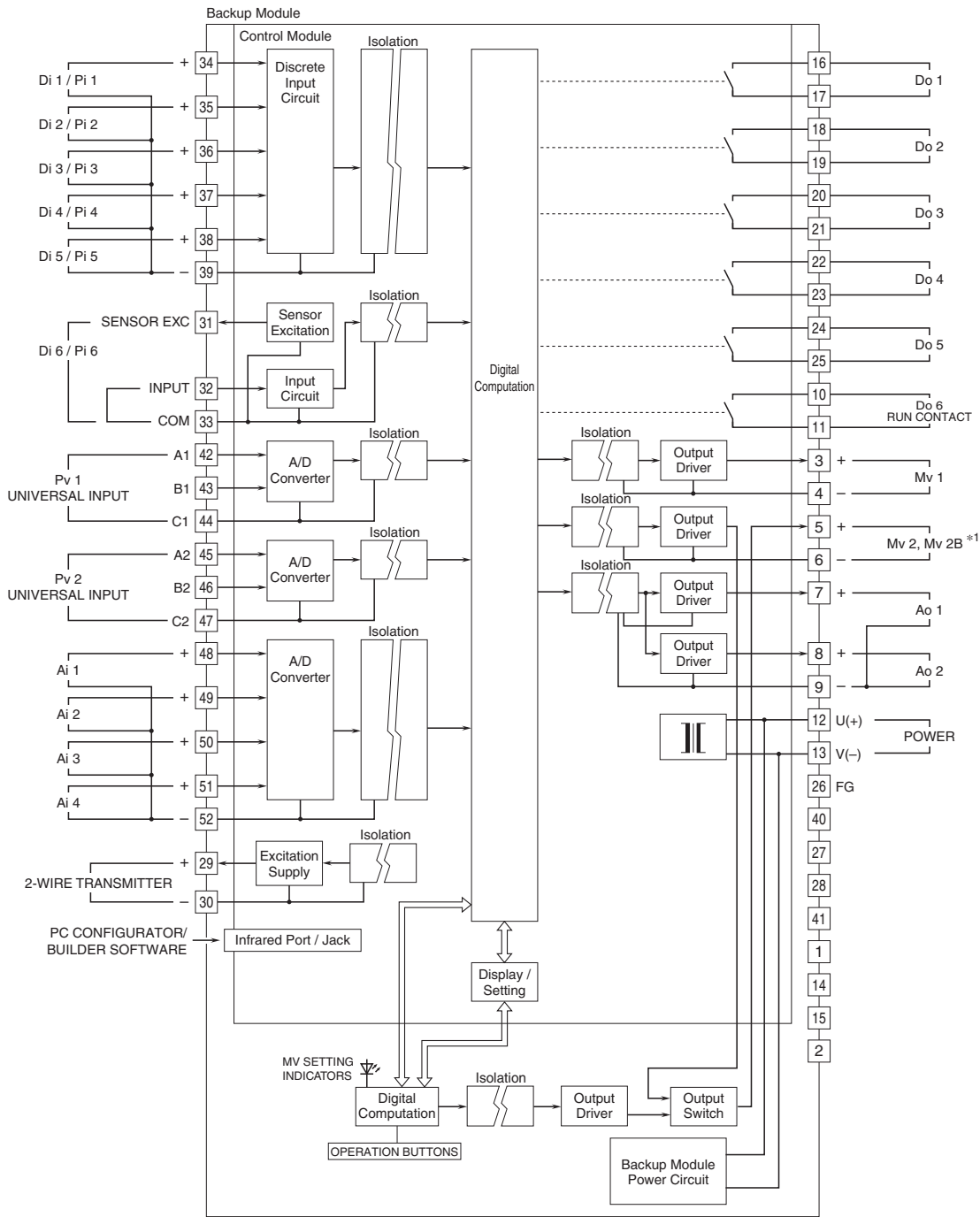
- IP55 is ensured for the front panel of the unit mounted independently to according to a panel. Test the sealing at the mounting surface once the device is installed.
- Set the unit on a vertical surface with its operation buttons at the lower side. Mounting in other directions may cause heat built up inside the unit and shorten its life span or degrade its performance.
- Ensure that there is sufficient space for ventilation inside a panel. Do not install above the devices that generate high heat such as heaters, transformers or resistors. Leave at least 30 mm (1.2 inch) space above, below and behind the unit for maintenance purpose (e.g. wiring, removing or installing).

## SCHEMATIC CIRCUITRY & CONNECTION DIAGRAM

Note: In order to improve EMC performance, bond the FG terminal to ground.

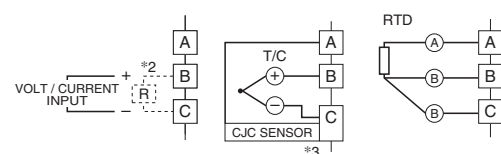
Caution: FG terminal is NOT a protective conductor terminal.

### ■ BACKUP MODULE POWER SUPPLY: SINGLE SUPPLY



\*1. Backup is applicable to Mv 2 only. Mv 2B is output of the backup module.

### ■ UNIVERSAL INPUT CONNECTION E.G.

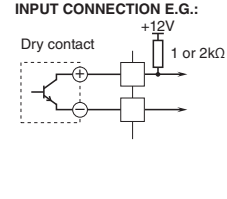


\*2. Connect input resistor module (model: REM4) for current input.

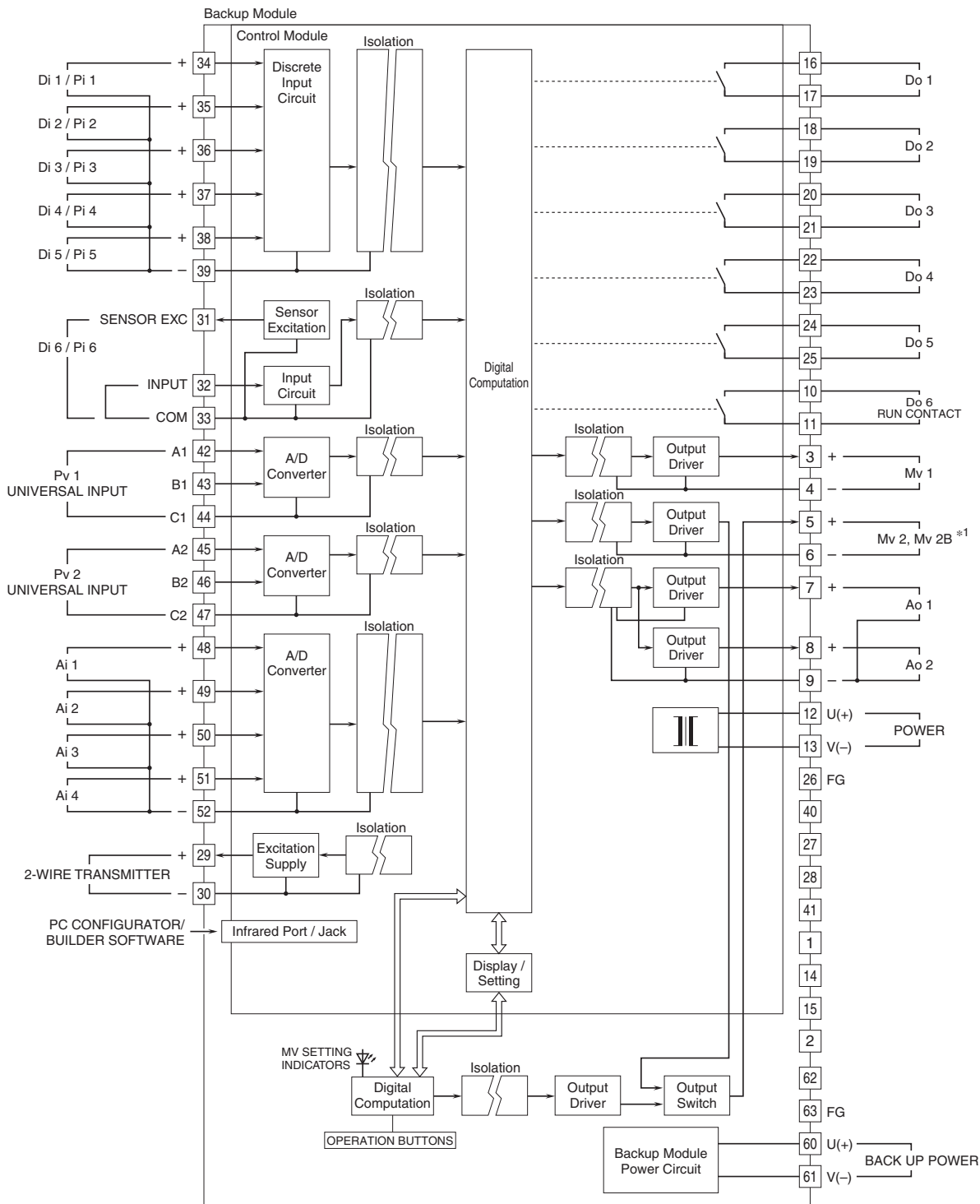
\*3. Connect C/JC sensor for thermocouple input.

\*4. Connect input resistor module (model: REM4).

### ■ DISCRETE INPUT PULSE INPUT CONNECTION E.G.:

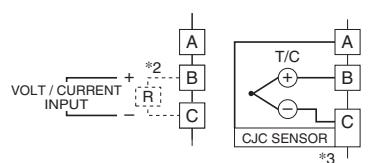


## ■ BACKUP MODULE POWER SUPPLY: DUAL SUPPLY

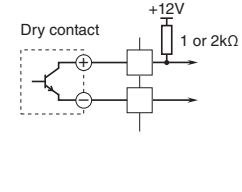


\*1. Backup is applicable to Mv 2 only. Mv 2B is output of the backup module.

### ■ UNIVERSAL INPUT CONNECTION E.G.



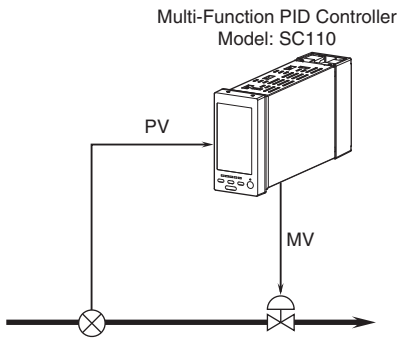
### ■ DISCRETE INPUT PULSE INPUT CONNECTION E.G.:



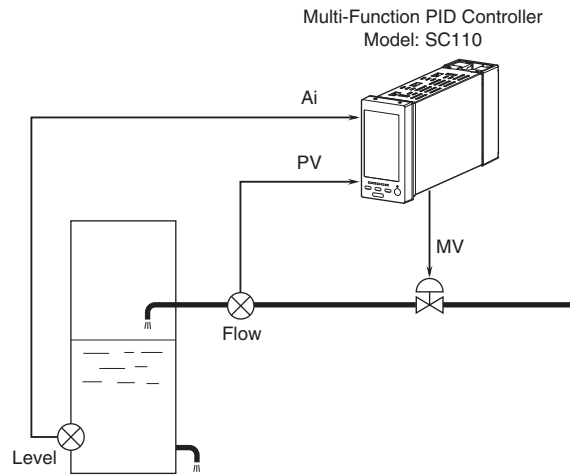
\*2. Connect input resistor module (model: REM4) for current input.  
 \*3. Connect C/JC sensor for thermocouple input.  
 \*4. Connect input resistor module (model: REM4).

**SYSTEM CONFIGURATION EXAMPLES**

■ SINGLE LOOP CONTROL



■ CASCADE CONTROL



Specifications are subject to change without notice.