

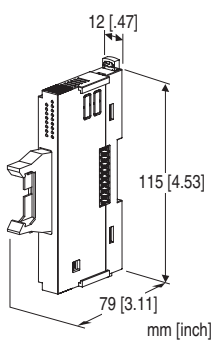
## Remote I/O R8 Series

### DC VOLTAGE OUTPUT MODULE

(4 points, non-isolated)

#### Functions & Features

- 4 channels for DC voltage input, compact size remote I/O module
- Output range adjustment with DIP switch or PC configurator
- 20 pin MIL connector



### MODEL: R8-YVM4N[1]

#### ORDERING INFORMATION

- Code number: R8-YVM4N[1]
- Specify a code from below for [1].  
(e.g. R8-YVM4N/Q)
- Specify the specification for option code /Q  
(e.g. /C01)

#### [1] OPTIONS

blank: none

/Q: With options (specify the specification)

#### SPECIFICATIONS OF OPTION: Q

**COATING (For the detail, refer to M-System's web site.)**

/C01: Silicone coating

/C02: Polyurethane coating

#### RELATED PRODUCTS

- PC configurator software (model: R8CFG)  
Downloadable at M-System's web site.  
A dedicated cable is required to connect the module to the PC. Please refer to the internet software download site or the users manual for the PC configurator for applicable cable types.

#### GENERAL SPECIFICATIONS

##### Connection

- **Output:** 20-pin MIL connector  
PWB connector (M-System)  
Recommended socket XG5N-201 (Omron)  
Recommended contact XG5W-0231 (Omron)  
Applicable wire size AWG22, number of conductor 17, diameter of conductor 0.16 mm (The socket and contact are not included in the package. Refer to the specifications of the product.)
- **Excitation supply, internal bus:**  
Connected to internal bus connector
- **Internal power:** Supplied from internal bus connector
- Isolation:** Output to exc. supply to internal bus or internal power
- Output range:** Selectable with the side DIP SW
- Module address:** With rotary switch
- Output at the loss of communication:** Selectable with the side DIP SW
- Terminating resistor:** Built-in (DIP Switch, default: disable)
- Configuration mode:** With DIP switches on the side panel
- Status indicator:** Bi-color (red/green) LED; Refer to the instruction manual.
- Output status indicators:** Red LED; Refer to the instruction manual.

#### OUTPUT

- Output range:** Selectable between -10 - +10 V DC
- Operational range:** -5 - +105 % (in percentage of output range)
- Load resistance:**  $\geq 5 \text{ k}\Omega$

#### INSTALLATION

- Max. current consumption:** 160 mA
- Operating temperature:** -10 to +55°C (14 to 131°F)
- Operating humidity:** 30 to 90 %RH (non-condensing)
- Atmosphere:** No corrosive gas or heavy dust
- Mounting:** DIN rail
- Weight:** 70 g (2.5 oz)

#### PERFORMANCE

- Conversion accuracy (in percentage of output range)**  
 $\pm 0.1 \%$  (@ output range -10 - +10 V)  
Conversion accuracy is inversely proportional to output span.  
Conversion accuracy computation example:  
When output range is 1 - 5 V: conversion accuracy =  
output span standard value (20 V)  $\div$  output span (4 V)  $\times$   
 $0.1(\%) = 0.5 (\%)$ .  
output span standard value is the same as the span at  
output range -10 - +10 V DC.

**Conversion rate:** 4 msec.  
**Output circuit time constant:** ≤ 5 msec. (0 → 90 %)  
**Data range:** 0 - 10000 of the output range  
**Data allocation:** 2  
**Module addresses in use:** 2  
**Temp. coefficient:** ±0.015 %/°C (±0.008 %/°F)  
**Insulation resistance:** ≥ 100 MΩ with 500 V DC  
**Dielectric strength:**  
 1500 V AC @ 1 minute (output to exc. supply to internal bus or internal power to ground)

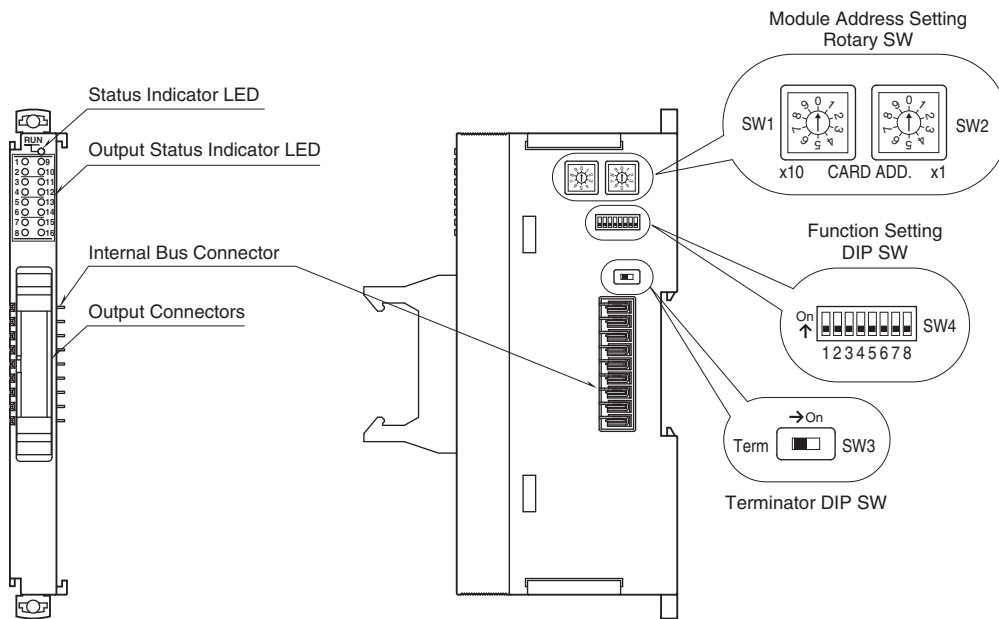
## STANDARDS & APPROVALS

**EU conformity:**  
 EMC Directive  
 EMI EN 61000-6-4  
 EMS EN 61000-6-2  
 RoHS Directive

## EXTERNAL VIEW

■ FRONT VIEW

■ SIDE VIEW



## OPERATING MODE SETTING

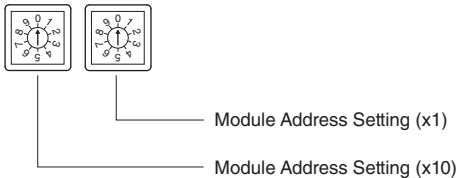
(\*) Factory setting

Caution ! - SW4-3 through 4-6 are unused. Be sure to turn off unused ones.

### ■ Module Address

The left switch determines the tenth place digit, while the right one does the ones place digit of the module address. Address is selected between 0 to 30.

(Factory setting: 0)



### ■ Range

Same range for all channels. Use PC Configurator to set independent ranges per channel.

OUTPUT RANGE	SW4	
	1	2
-10 – +10 V DC (*)	OFF	OFF
0 – 10 V DC	ON	OFF
0 – 5 V DC	OFF	ON
1 – 5 V DC	ON	ON

### ■ Output at The Loss of Communication

OUTPUT AT THE LOSS OF COMMUNICATION	SW4 7
Output Hold (*) (last data correctly received is hold)	OFF
Stop output	ON

NOTE: For Stop output, output fixed at -5% when configuration mode is DIP switch setting.

Output fixed at scaling value at the loss of communication when configuration mode is PC.

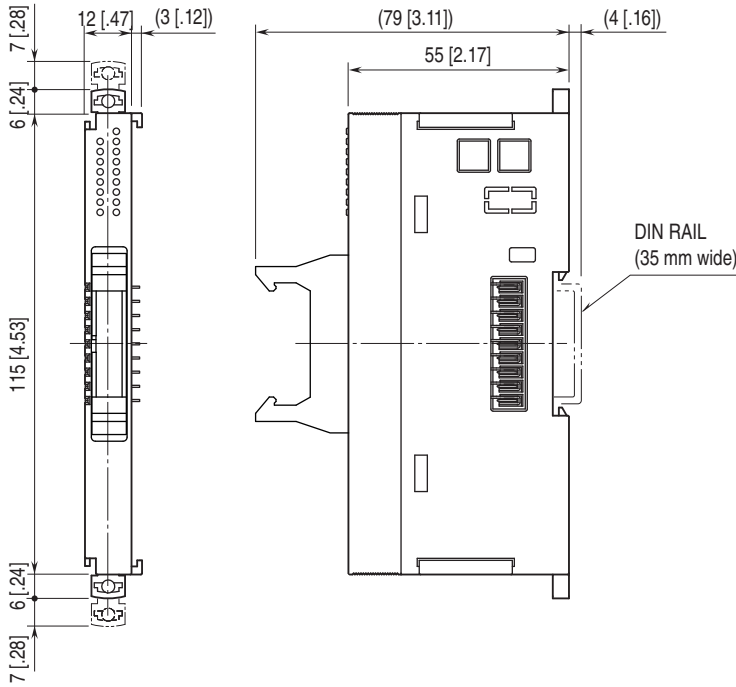
### ■ Configuration Mode

CONFIGURATION MODE	SW4 8
DIP switch setting (*)	OFF
PC Configurator and communication	ON

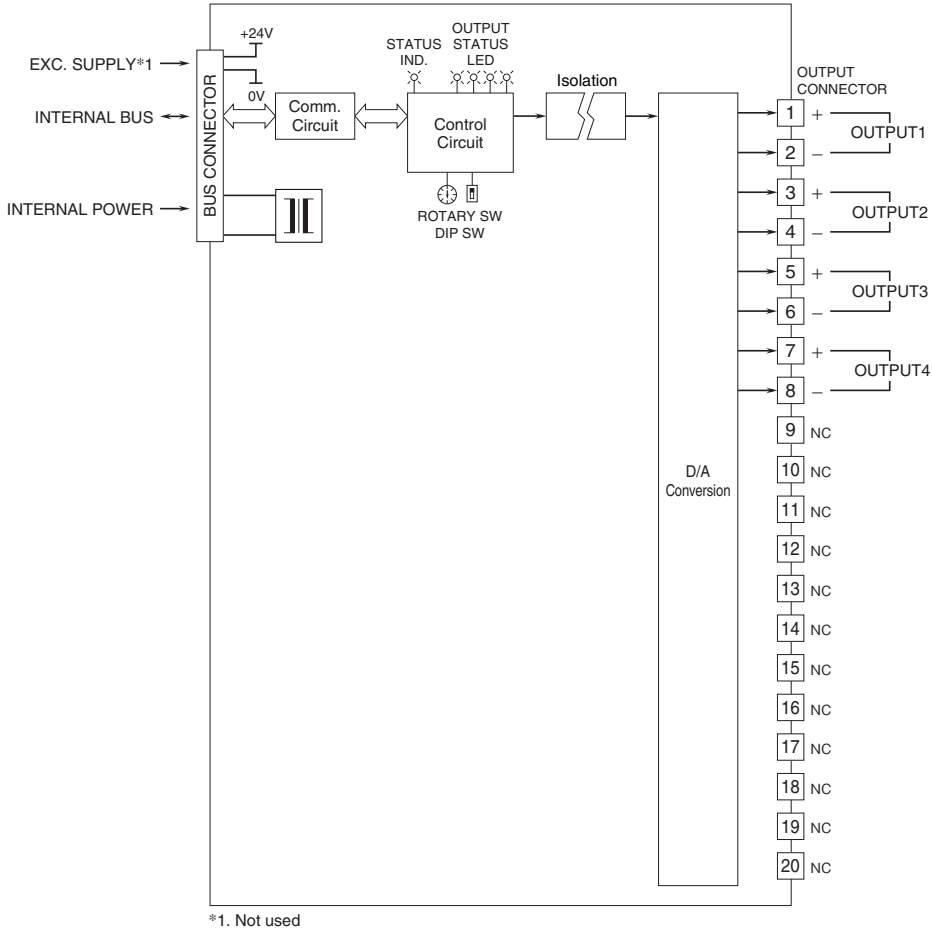
### ■ Terminator DIP SW

TERMINATOR SW	SW3
Without (*)	OFF
With	ON

**EXTERNAL DIMENSIONS unit: mm [inch]**



**SCHEMATIC CIRCUITRY & CONNECTION DIAGRAM**



\*1. Not used



Specifications are subject to change without notice.