

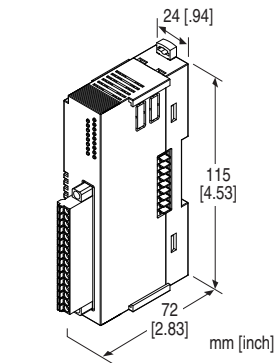
Remote I/O R8 Series

DC CURRENT INPUT MODULE

(8 points, isolated, Tension clamp terminal block)

Functions & Features

- 8 channels for DC current input, compact size remote I/O module
- Isolation between channels
- Input range adjustment with DIP switch or PC configurator



MODEL: R8-SST8[1]

ORDERING INFORMATION

- Code number: R8-SST8[1]
- Specify a code from below for [1].
(e.g. R8-SST8/Q)
- Specify the specification for option code /Q
(e.g. /C01)

[1] OPTIONS

blank: none

/Q: With options (specify the specification)

SPECIFICATIONS OF OPTION: Q

COATING (For the detail, refer to M-System's web site.)

/C01: Silicone coating

/C02: Polyurethane coating

RELATED PRODUCTS

- PC configurator software (model: R8CFG)
Downloadable at M-System's web site.
- A dedicated cable is required to connect the module to the PC. Please refer to the internet software download site or the users manual for the PC configurator for applicable cable types.

GENERAL SPECIFICATIONS

Connection

- **Input:** Tension clamp
Applicable wire size: 0.2 - 1.5 mm²
Stripped length: 10 mm

- **Excitation supply, internal bus:**
Connected to internal bus connector
- **Internal power:** Via bus connector

Isolation: Input 1 to input 2 to input 3 to input 4 to input 5 to input 6 to input 7 to input 8 to exc. supply to internal bus or internal power

Input range: Selectable with the side DIP SW

Module address: With DIP switch

Terminating resistor: Built-in (DIP Switch, default: disable)

Configuration mode: With DIP switches on the side panel

Status indicator: Bi-color (red/green) LED; Refer to the instruction manual.

Input status indicators: Red LED; Refer to the instruction manual.

INPUT

Input range: -20 - +20 mA DC configurable

Input range: -5 - +105 % (in percentage of input range)

Input resistance: 100 Ω

INSTALLATION

Max. current consumption: 200 mA

Operating temperature: -10 to +55°C (14 to 131°F)

Operating humidity: 30 to 90 %RH (non-condensing)

Atmosphere: No corrosive gas or heavy dust

Mounting: DIN rail

Weight: 100 g (0.22 lb)

PERFORMANCE

Conversion accuracy (in percentage of input range)

±0.1 % (@ input range -20 - +20 mA)

Conversion accuracy is inversely proportional to input span.

Conversion accuracy computation example:

When input range is 4 - 20 mA: conversion accuracy =
nominal input span (40 mA) ÷ input span (16 mA) × 0.1(%)
= 0.25 (%)

Nominal input span is the same as the span at input range
-20 - +20 mA DC.

Conversion rate: 8 msec.

Input circuit time constant: Approx. 1 msec.

Data range: 0 - 10000 of the input range

Data allocation: 2

Module addresses in use: 4

Temp. coefficient: ±0.015 %/°C (±0.008 %/°F)

Insulation resistance: ≥ 100 MΩ with 500 V DC

Dielectric strength:

500 V AC @ 1 minute (input 1 to input 2 to input 3 to

input 4 to input 5 to input 6 to input 7 to input 8)

1500 V AC @ 1 minute (input to exc. supply to internal bus
or internal power to FG)

STANDARDS & APPROVALS

EU conformity:

EMC Directive

EMI EN 61000-6-4

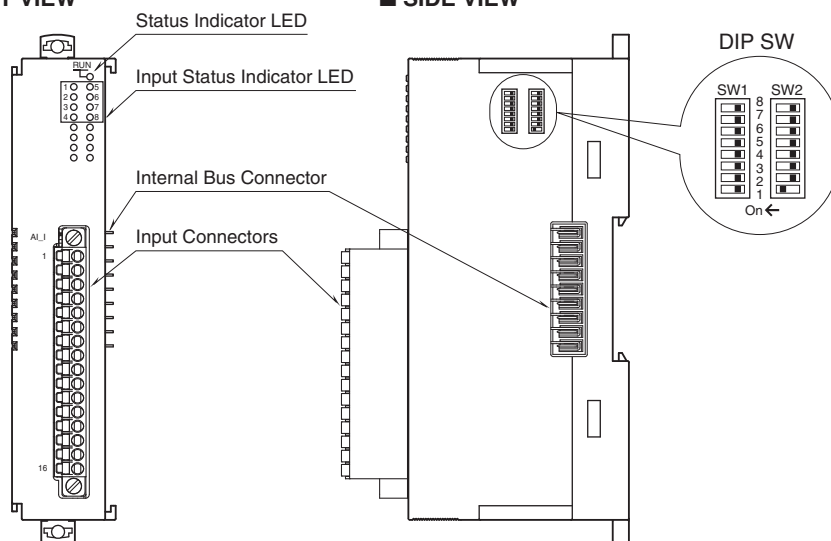
EMS EN 61000-6-2

RoHS Directive

EXTERNAL VIEW

FRONT VIEW

SIDE VIEW



OPERATING MODE SETTING

(*) Factory setting

Caution ! - SW2-2, 2-3, 2-4, 2-5, 2-7 are unused. Be sure to turn off unused ones.

■ Module Address

SW1-1, 1-2, 1-3, and 1-4 determine the tenth place digit, while SW1-5, 1-6, 1-7 and 1-8 do the ones place digit of the address.

Address is selected between 0 to 28.

(Factory setting: 0)

MODULE ADDRESS	SW1				
	x10	1	2	3	4
	x1	5	6	7	8
0		OFF	OFF	OFF	OFF
1		OFF	OFF	OFF	ON
2		OFF	OFF	ON	OFF
3		OFF	OFF	ON	ON
4		OFF	ON	OFF	OFF
5		OFF	ON	OFF	ON
6		OFF	ON	ON	OFF
7		OFF	ON	ON	ON
8		ON	OFF	OFF	OFF
9		ON	OFF	OFF	ON

■ Range

Same range for all channels. Use PC Configurator to set independent ranges per channel.

INPUT RANGE	SW2
	1
0 – 20 mA DC	OFF
4 – 20 mA DC (*)	ON

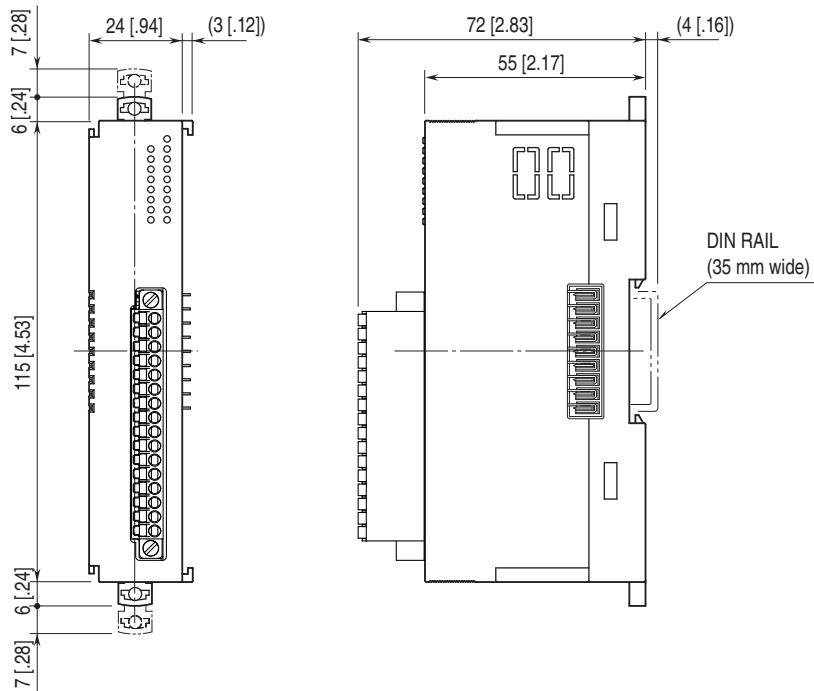
■ Terminator DIP SW

TERMINATOR SW	SW2
	6
Without (*)	OFF
With	ON

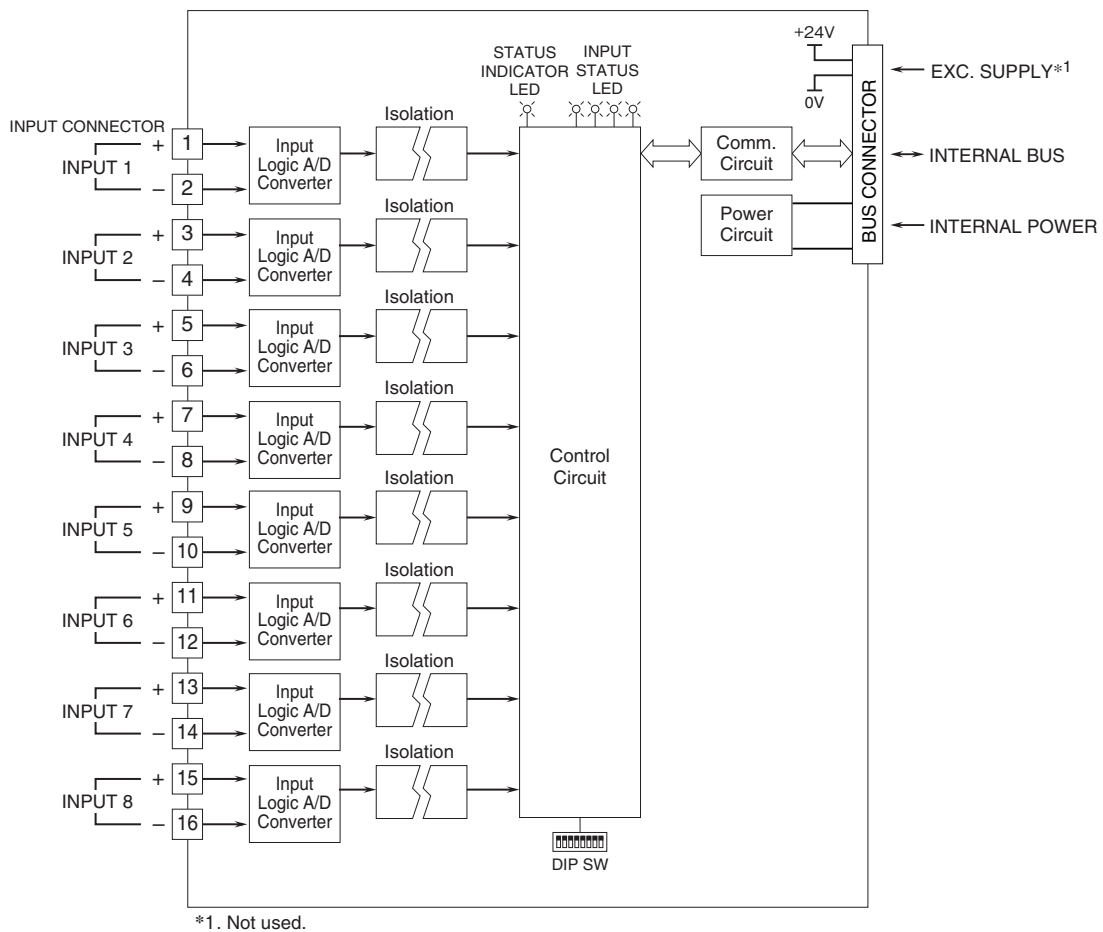
■ Configuration Mode

CONFIGURATION MODE	SW2
	8
DIP switch setting (*)	OFF
PC Configurator and communication	ON

EXTERNAL DIMENSIONS unit: mm [inch]



SCHEMATIC CIRCUITRY & CONNECTION DIAGRAM





Specifications are subject to change without notice.