

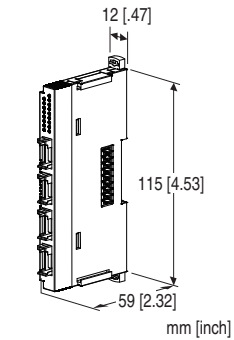
## Remote I/O R8 Series

### NPN TRANSISTOR OUTPUT MODULE

(Voltage contact, with shortcircuit protection, 4 points)

#### Functions & Features

- 4-channel discrete output, compact size remote I/O module



## MODEL: R8-DC4A2[1]

### ORDERING INFORMATION

- Code number: R8-DC4A2[1]

Specify a code from below for [1].

- (e.g. R8-DC4A2/Q)
- Specify the specification for option code /Q (e.g. /C01)

### [1] OPTIONS

blank: none

/Q: With options (specify the specification)

### SPECIFICATIONS OF OPTION: Q

**COATING (For the detail, refer to M-System's web site.)**

/C01: Silicone coating

/C02: Polyurethane coating

### RELATED PRODUCTS

- PC configurator software (model: R8CFG)

Downloadable at M-System's web site.

A dedicated cable is required to connect the module to the PC. Please refer to the internet software download site or the users manual for the PC configurator for applicable cable types.

### GENERAL SPECIFICATIONS

#### Connection

- **Output:** 4-pin e-CON connector  
Unit side connector XN2D-1474-S002 (Omron)

Recommended cable side connector XN2A-1470 (Omron)

Applicable wire size 0.08 - 0.5 mm<sup>2</sup> (AWG28 - 20)

Outer sheath diameter: max. 1.5 dia

(The cable connector is not included in the package.

Refer to the specifications of the product.)

#### •Excitation supply, internal bus:

Connected to internal bus connector

•**Internal power:** Supplied from internal bus connector

**Isolation:** Output or exc. supply to internal bus or internal power

**Module address:** With rotary switch

**Output at the loss of communication:** Selectable with the side DIP SW

**Terminating resistor:** Built-in (DIP Switch, default: disable)

**Configuration mode:** With DIP switches on the side panel

**Status indicator:** Bi-color (red/green) LED; Refer to the instruction manual.

**Discrete output status indicators:** Green LED; Refer to the instruction manual.

### OUTPUT SPECIFICATIONS

**Common:** Negative common (NPN) per 4 points

**Number of outputs:** 4

**Maximum outputs applicable at once:** No limit (at 24 V DC)

**Rated load voltage:** 24 V DC  $\pm$ 10 %

**Rated output current:** 0.2 A per point

**Residual voltage:**  $\leq$  0.5 V

**Leakage current:**  $\leq$  0.1 mA

**ON delay:**  $\leq$  0.5 msec.

**OFF delay:**  $\leq$  1.5 msec.

**Shortcircuit protection:** Included

**Overheat Protection Function:** Included

(When driving an inductive load, connect a diode in parallel with the load.)

### INSTALLATION

**Max. current consumption:** 100 mA

**Operating temperature:** -10 to +55°C (14 to 131°F)

**Operating humidity:** 30 to 90 %RH (non-condensing)

**Atmosphere:** No corrosive gas or heavy dust

**Mounting:** DIN rail

**Weight:** 60 g (2.12 oz)

### PERFORMANCE

**Data allocation:** 1

**Module addresses in use:** 1

**Insulation resistance:**  $\geq$  100 M $\Omega$  with 500 V DC

**Dielectric strength:** 1500V AC @1 minute

(output or exc. supply to internal bus or internal power to ground)

## STANDARDS & APPROVALS

### EU conformity:

EMC Directive

EMI EN 61000-6-4

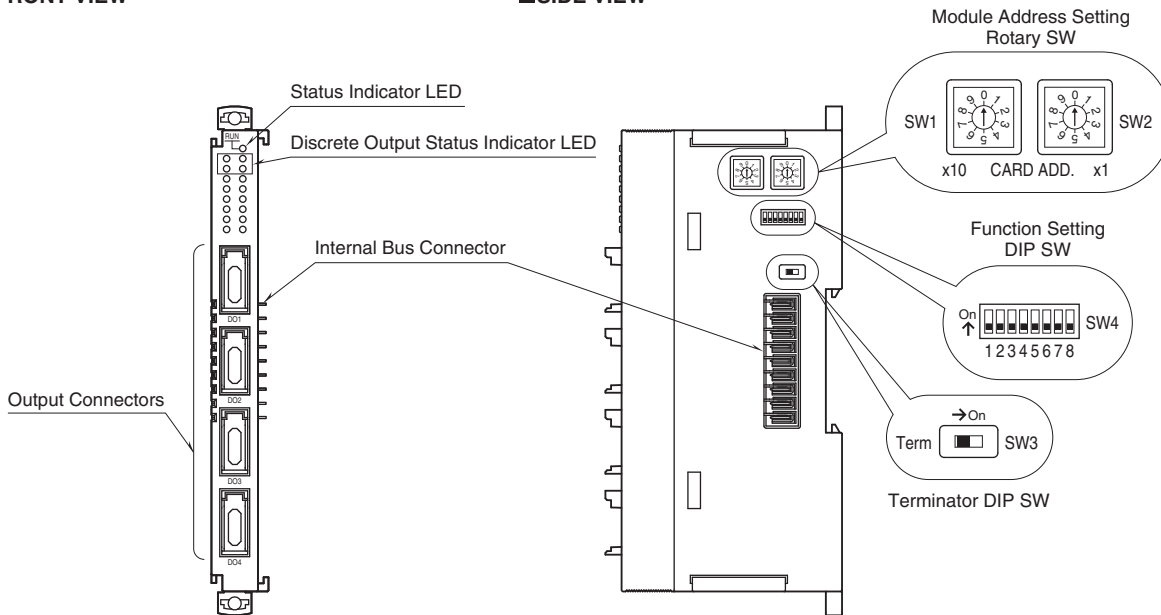
EMS EN 61000-6-2

RoHS Directive

## EXTERNAL VIEW

### FRONT VIEW

### SIDE VIEW



## OPERATING MODE SETTING

(\*) Factory setting

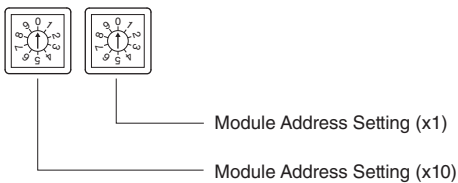
Caution ! - SW4-1 through 4-6 are unused. Be sure to turn off unused ones.

### Module Address

The left switch determines the tenth place digit, while the right switch does the ones place digit of the address.

Address is selected between 0 to 31.

(Factory setting: 0)



### Configuration Mode

CONFIGURATION MODE	SW4
	8
DIP switch setting (*)	OFF
PC Configurator and communication	ON

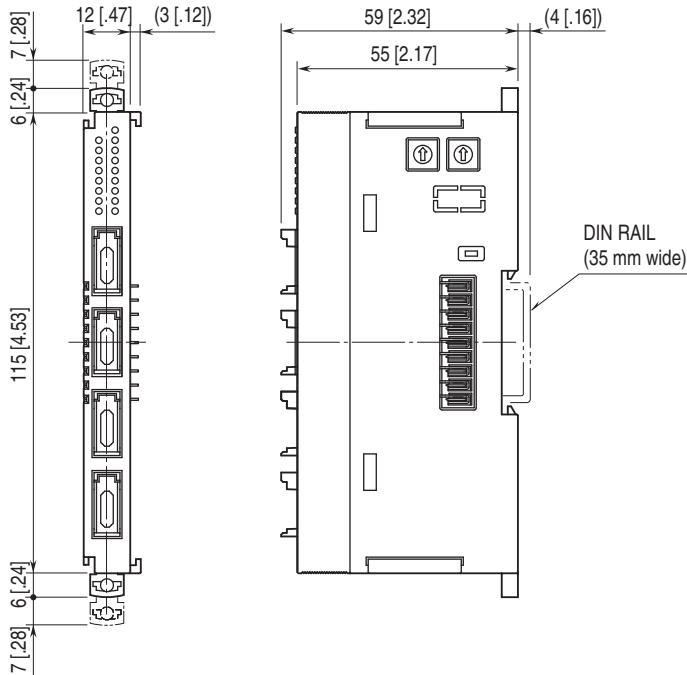
### Terminator DIP SW

TERMINATOR SW	SW3
Without (*)	OFF
With	ON

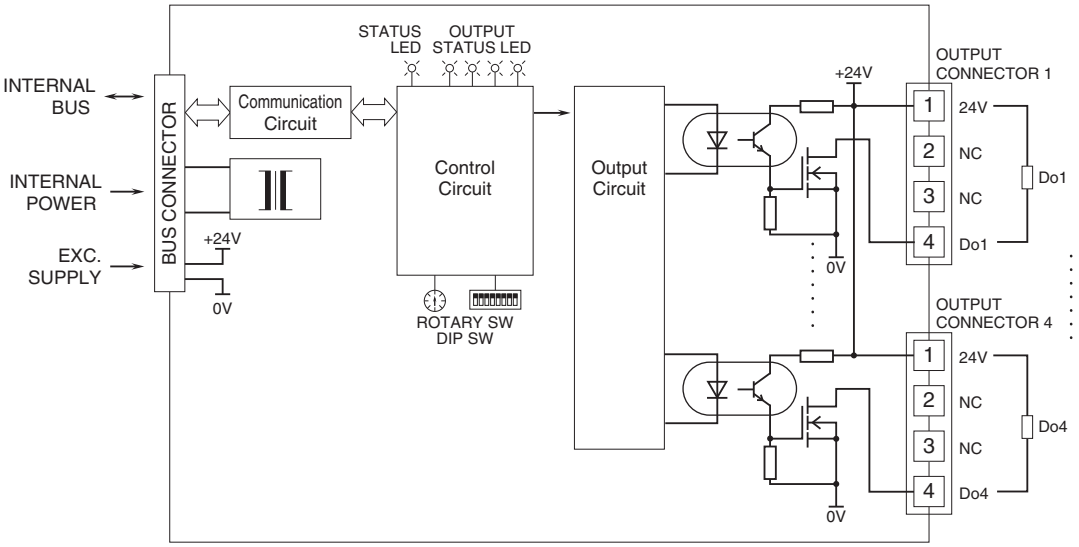
### Output at the Loss of Communication


OUTPUT AT THE LOSS OF COMMUNICATION	SW4
	7
Output Hold (*) (last data correctly received is hold)	OFF
Stop output (Output fixed at OFF)	ON

**EXTERNAL DIMENSIONS unit: mm [inch]**



**SCHEMATIC CIRCUITRY & CONNECTION DIAGRAM**



 Specifications are subject to change without notice.