

BEFORE USE

Thank you for choosing M-System. Before use, check the contents of the package you received as below.

If you have any problems or questions with the product, please contact M-System's Sales Office or representatives.

■ **PACKAGE INCLUDES:**

DC current output module..... (1)

■ **MODEL NO.**

Confirm that the model number described on the product is exactly what you ordered.

■ **INSTRUCTION MANUAL**

This manual describes necessary points of caution when you use this product, including installation, connection and basic maintenance procedures.

POINTS OF CAUTION

■ **CONFORMITY WITH EU DIRECTIVES**

- The equipment must be mounted inside a panel.
- The actual installation environments such as panel configurations, connected devices and connected wires may affect the protection level of this unit when it is integrated in a panel system. The user may have to review the CE requirements in regard to the whole system and employ additional protective measures to ensure CE conformity.

■ **GENERAL PRECAUTIONS**

- Before you remove or mount the unit, turn off the power supply and output signal for safety.
- Switches on the side of the module can be set for maintenance only while the power supply is off. Do not access them while the power is supplied.

■ **ENVIRONMENT**

- Indoor use
- When heavy dust or metal particles are present in the air, install the unit inside proper housing with sufficient ventilation.
- Do not install the unit where it is subjected to continuous vibration. Do not apply physical impact to the unit.
- Environmental temperature must be within -10 to +55°C (14 to 131°F) with relative humidity within 30 to 90% RH in order to ensure adequate life span and operation.

■ **WIRING**

- Do not install cables close to noise sources (relay drive cable, high frequency line, etc.).
- Do not bind these cables together with those in which noises are present. Do not install them in the same duct.

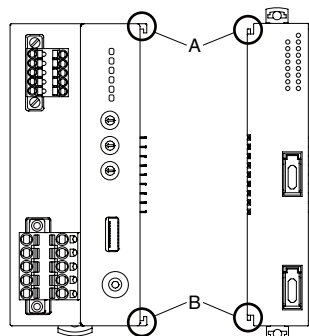
■ **AND**

- The unit is designed to function as soon as power is supplied, however, a warm up for 10 minutes is required for satisfying complete performance described in the data sheet.

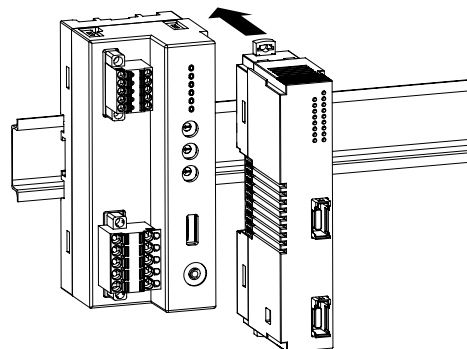
INSTALLATION

■ **HOW TO MOUNT THE MODULE ON DIN RAIL**

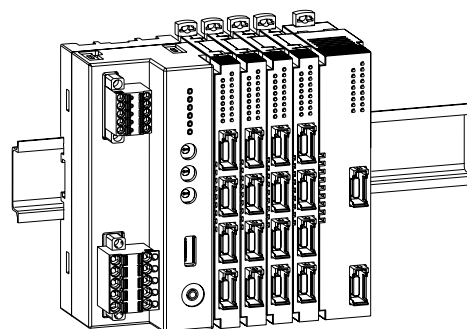
• **I/O Module**



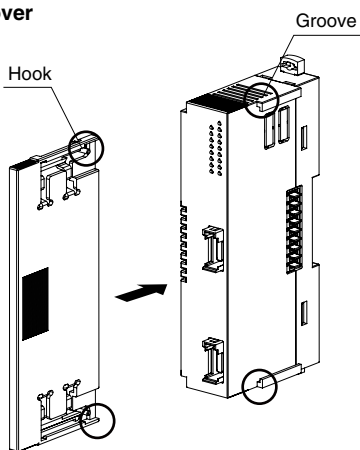
Confirm that the locking clamps of the I/O module are set. Insert the module in parallel to the next one while aligning the grooves of both modules (A & B in the above figure). Maintain it perpendicularly to the rail.



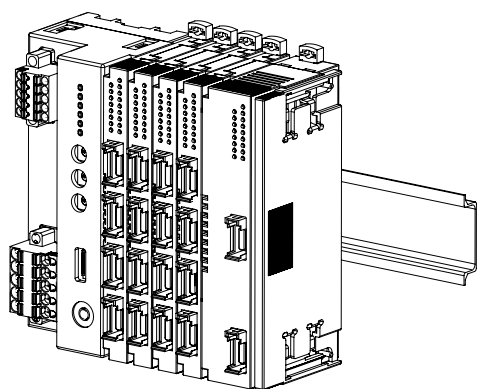
More I/O modules can be added in the same manner.



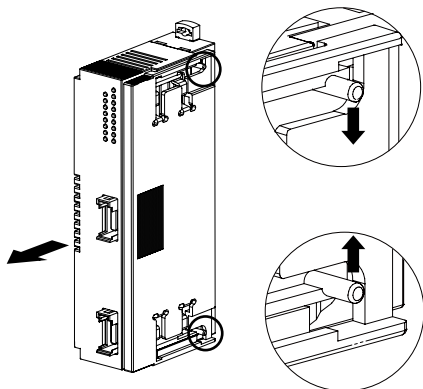
• Protective Cover



The protective cover is to be attached over the connected I/O module at the right end.
Align the hooks on the cover with the grooves of the module and slide it straight until the hooks are latched.

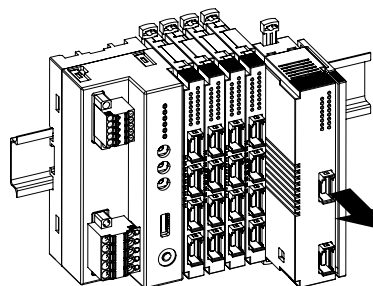
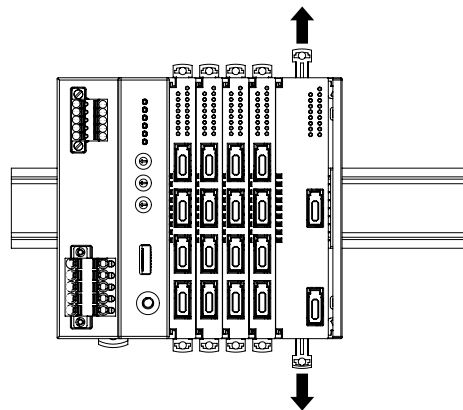


When removing the cover, pull it out while squeezing the hooks inward.

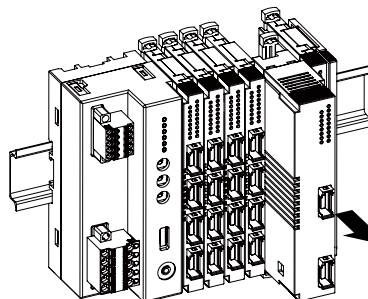
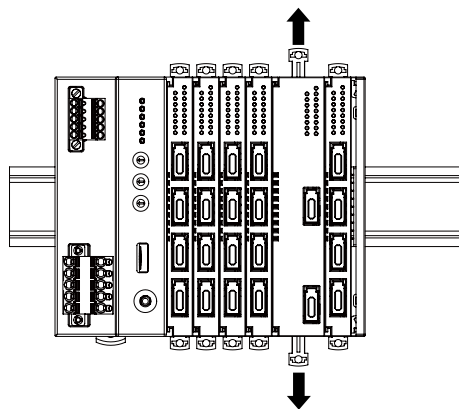


■ HOW TO UNMOUNT THE MODULE ON DIN RAIL

Release the locking clamps and pull out straight the module.



• Removing an intermediate module



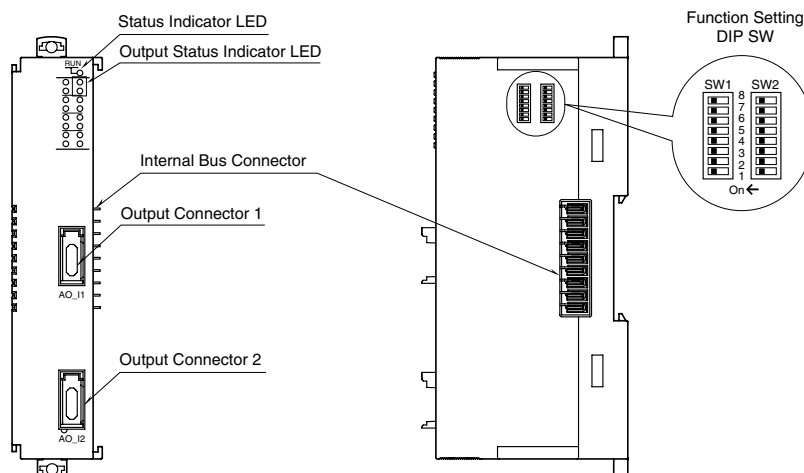
Caution !

- 1) Be careful not to hurt your hand by pointed edges of the internal communication bus connector.
- 2) I/O modules cannot hold tightly on the DIN rail by themselves without power/network module.
Secure them to the position if necessary by using DIN rail end plates.

COMPONENT IDENTIFICATION

■ FRONT VIEW

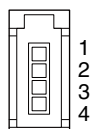
■ SIDE VIEW



■ INDICATOR LED

LED	OPERATION	FUNCTION
Status	OFF	Stopping
	Green ON	Valid host communication
	Green Blinking	Reading/writing configuration
	Red ON	Setting error
	Red Blinking	Parameter error
Output Status	OFF	Output data in the range
	Red Blinking	Output data out of range

■ OUTPUT CONNECTOR ASSIGNMENT



PIN No.	ID	FUNCTION
1	+	Output (+)
2	NC	No connection
3	NC	No connection
4	-	Output (-)

■ OPERATING MODE

(*) Factory setting

• Module Address

The SW1-1, SW1-2, SW1-3, SW1-4 determines the tenth place digit, while the SW1-5, SW1-6, SW1-7, SW1-8 does the ones place digit of the address.

Address is selected between 0 to 31.

(Factory setting: 0)

MODULE ADDRESS	SW1				
	×10	1	2	3	4
	×1	5	6	7	8
0		OFF	OFF	OFF	OFF
1		OFF	OFF	OFF	ON
2		OFF	OFF	ON	OFF
3		OFF	OFF	ON	ON
4		OFF	ON	OFF	OFF
5		OFF	ON	OFF	ON
6		OFF	ON	ON	OFF
7		OFF	ON	ON	ON
8		ON	OFF	OFF	OFF
9		ON	OFF	OFF	ON

• Range

Same range for all channels. Use PC Configurator to set independent ranges per channel.

OUTPUT RANGE	SW2-1
0 – 20 mA DC	OFF
4 – 20 mA DC (*)	ON

• Output at The Loss of Communication

Same output for all channels.

OUTPUT AT THE LOSS OF COMMUNICATION	SW2-5
Output Hold (*) (last data correctly received is hold)	OFF
Stop output	ON

[Note] For Stop output, output fixed at -5%, 0 mA min. when configuration mode is DIP switch setting.

Output fixed at scaling value at the loss of communication when configuration mode is PC.

• Terminator DIP SW

TERMINATOR SW	SW2-6
Without (*)	OFF
With	ON

• Configuration Mode

CONFIGURATION MODE	SW2-8
DIP switch setting (*)	OFF
PC Configurator and communication	ON

[Note] Be sure to set unused SW2-2 through 2-4 and 2-7 to OFF.

■ PC CONFIGURATOR

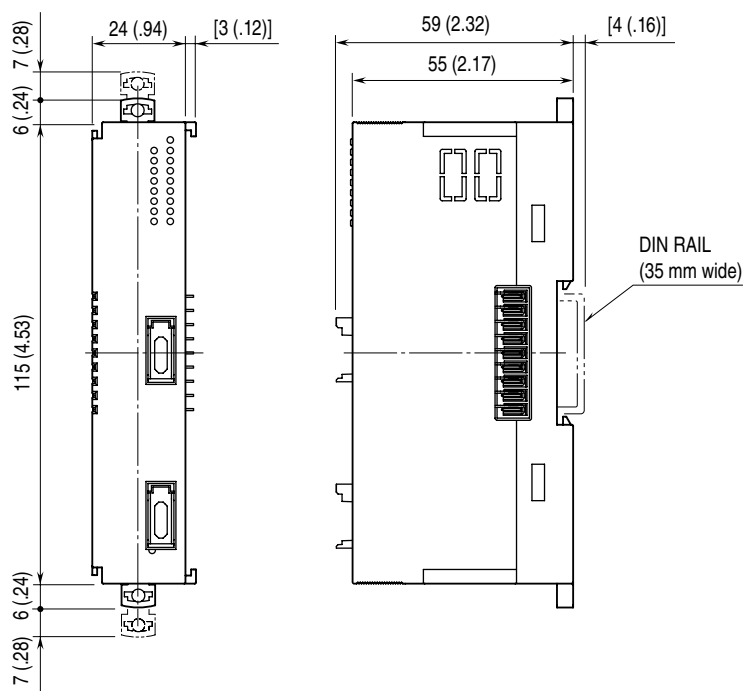
The following parameters can be set with using PC Configurator Software (model: R8CFG):

- Output setting by channels (range, scaling, zero/gain adjustments, scaling value at power on, slasing value at the loss of communication)
- Common setting (loss of internal bus communication detection time)

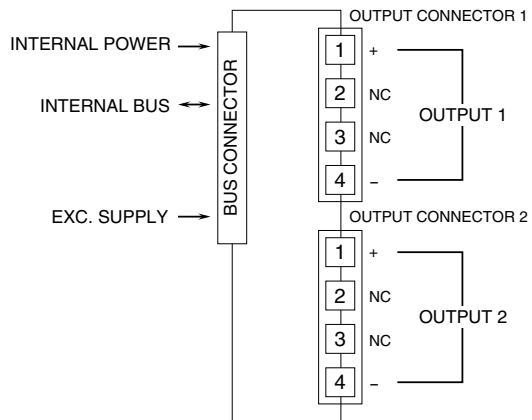
Turn SW2-8 ON to allow programming by the PC Configurator via the Power/Network Module.

Refer to the users manual for the R8CFG for detailed operation of the software program.

EXTERNAL DIMENSIONS unit: mm (inch)



CONNECTION DIAGRAM



WIRING INSTRUCTIONS

■ e-CON connector

PWB connector XN2D-1474-S002 (Omron)

Recommended cable connector XN2A-1470 (Omron)*1

Applicable wire size: 0.08 mm² (AWG28) - 0.5 mm² (AWG20)

Outer sheath diameter: max. 1.5 dia

*1. The cable connector is not included in the package.

Refer to the specifications of the product.