

PNP DISCRETE INPUT MODULE, 8 points
(Tension clamp terminal block)

MODEL **R8-DAT8B2**

BEFORE USE

Thank you for choosing M-System. Before use, please check contents of the package you received as outlined below. If you have any problems or questions with the product, please contact M-System's Sales Office or representatives.

■ PACKAGE INCLUDES:

Discrete input module.....(1)

■ MODEL NO.

Confirm Model No. marking on the product to be exactly what you ordered.

■ INSTRUCTION MANUAL

This manual describes necessary points of caution when you use this product, including installation, connection and basic maintenance procedures.

POINTS OF CAUTION

■ CONFORMITY WITH EU DIRECTIVES

- The equipment must be mounted inside a panel.
- The actual installation environments such as panel configurations, connected devices, connected wires, may affect the protection level of this unit when it is integrated in a panel system. The user may have to review the CE requirements in regard to the whole system and employ additional protective measures to ensure the CE conformity.

■ GENERAL PRECAUTIONS

- Before you remove or mount the unit, turn off the power supply and input signal for safety.
- Switches on the side of the module can be set for maintenance only while the power supply is off. Do not access them while the power is supplied.

■ ENVIRONMENT

- Indoor use.
- When heavy dust or metal particles are present in the air, install the unit inside proper housing with sufficient ventilation.
- Do not install the unit where it is subjected to continuous vibration. Do not subject the unit to physical impact.
- Environmental temperature must be within -10 to +55°C (14 to 131°F) with relative humidity within 30 to 90% RH in order to ensure adequate life span and operation.

■ WIRING

- Do not install cables close to noise sources (relay drive cable, high frequency line, etc.).
- Do not bind these cables together with those in which noises are present. Do not install them in the same duct.

■ EXCITATION SUPPLY

- Input connector: Rated current 0.5A DC per channel (rated current 3A for internal fuse (slow blow fuse i^2t (A²sec.) max. 5.04); Total: 3A DC.

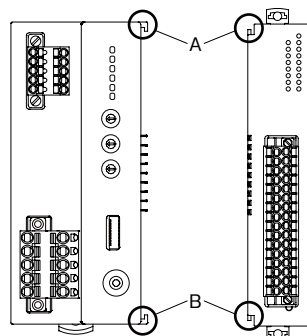
■ AND

- The unit is designed to function as soon as power is supplied, however, a warm up for 10 minutes is required for satisfying complete performance described in the data sheet.

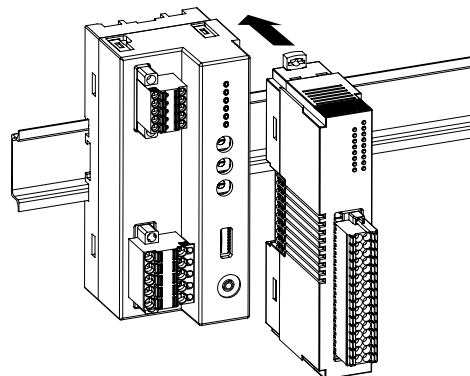
INSTALLATION

■ HOW TO MOUNT THE MODULE ON DIN RAIL

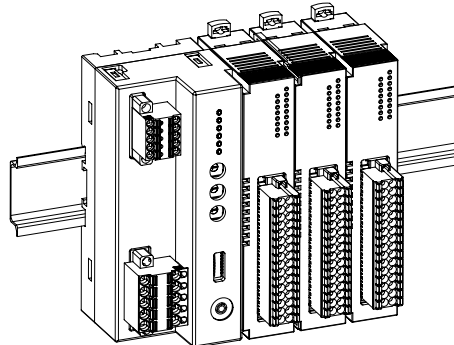
• I/O Module



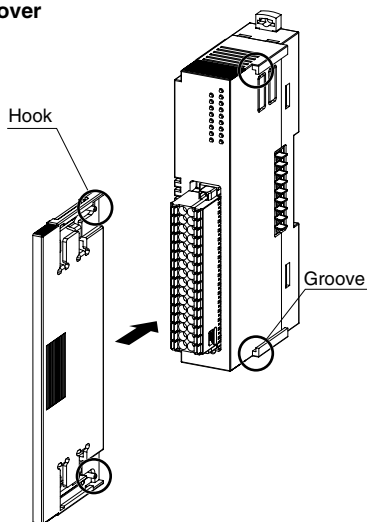
Confirm that the locking clamps of the I/O module are set. Insert the module in parallel to the next one while aligning the grooves of both modules (A & B in the above figure). Maintain it perpendicularly to the rail.



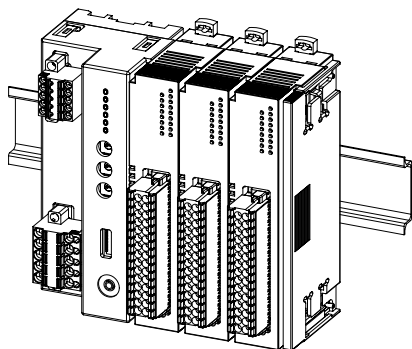
More I/O modules can be added in the same manner.



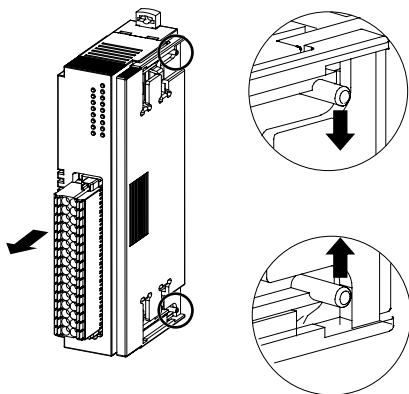
• Protective Cover



The protective cover is to be attached over the connected I/O module at the right end.
Align the hooks on the cover with the grooves of the module and slide it straight until the hooks are latched.

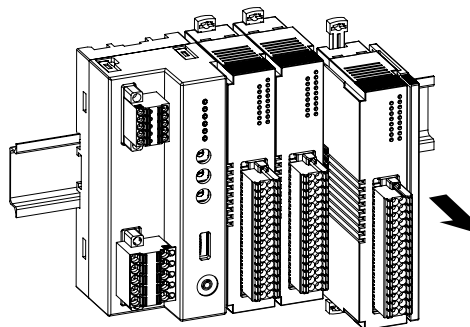
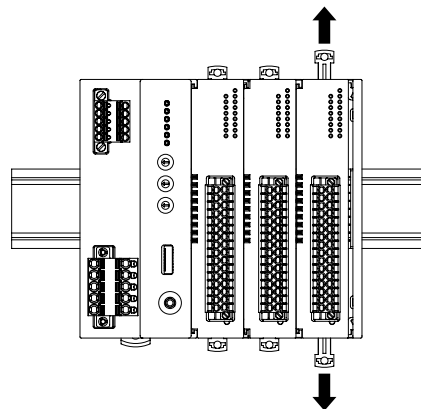


When removing the cover, pull it out while squeezing the hooks inward.

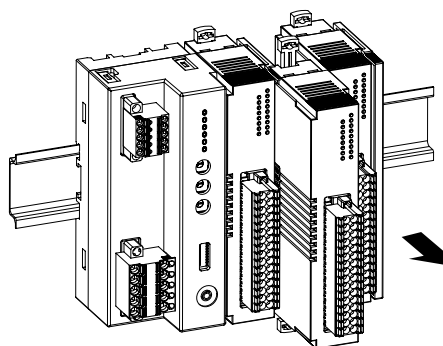
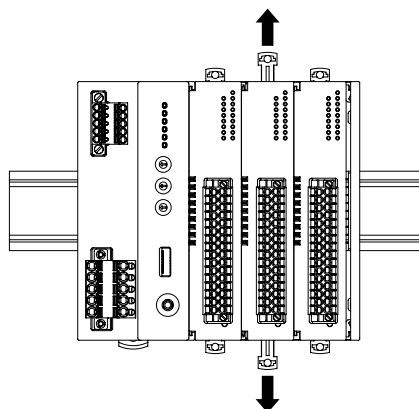


■ HOW TO UNMOUNT THE MODULE FROM DIN RAIL

Release the locking clamps and pull out straight the module.



• Removing an intermediate module

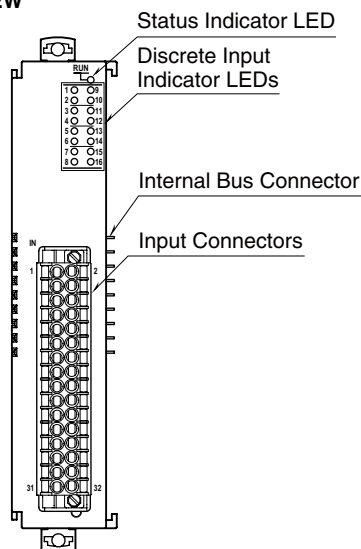


Caution !

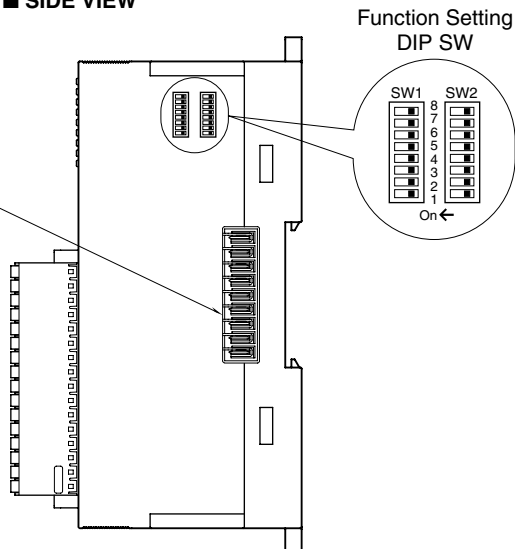
- 1) Be careful not to hurt your hand by pointed edges of the internal bus connector.
- 2) I/O modules cannot hold tightly on the DIN rail by themselves without power/network module.
Secure them to the position if necessary by using DIN rail end plates.

COMPONENT IDENTIFICATION

■ FRONT VIEW



■ SIDE VIEW



■ INDICATOR LED

ID	OPERATION	FUNCTION
Status	OFF	Stopping
	Green ON	Valid host communication
	Green Blinking	Reading/writing configuration
	Red ON	Setting error
Discrete Input Status	Red Blinking	Parameter error
	OFF	OFF
Input Status	Green ON	ON

■ MODULE ADDRESS: SW1

SW1-1 through 1-4 determine the tenth place digit, while SW1-5 through 1-8 do the ones place digit of the module address.

Address is selected between 0 to 31.

(Factory setting: 0)

MODULE ADDRESS	SW1				
	×10	1	2	3	4
0		OFF	OFF	OFF	OFF
1		OFF	OFF	OFF	ON
2		OFF	OFF	ON	OFF
3		OFF	OFF	ON	ON
4		OFF	ON	OFF	OFF
5		OFF	ON	OFF	ON
6		OFF	ON	ON	OFF
7		OFF	ON	ON	ON
8		ON	OFF	OFF	OFF
9		ON	OFF	OFF	ON

■ OPERATING MODE

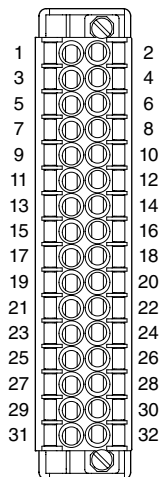
• Terminator DIP SW: SW2-6

TERMINATOR SW	SW2-6
Without (*)	OFF
With	ON

(*) Factory setting

Note: Be sure to set unused SW2-1 through 2-5, 2-7 and 2-8 to OFF.

INPUT CONNECTOR TERMINAL ASSIGNMENT



PIN No.	ID	FUNCTION	PIN No.	ID	FUNCTION
1	Di 1	Input 1	17	Di 5	Input 5
2	0V	Excitation supply (-)	18	0V	Excitation supply (-)
3	24V	Excitation supply (+)	19	24V	Excitation supply (+)
4	0V	Excitation supply (-)	20	0V	Excitation supply (-)
5	Di 2	Input 2	21	Di 6	Input 6
6	0V	Excitation supply (-)	22	0V	Excitation supply (-)
7	24V	Excitation supply (+)	23	24V	Excitation supply (+)
8	0V	Excitation supply (-)	24	0V	Excitation supply (-)
9	Di 3	Input 3	25	Di 7	Input 7
10	0V	Excitation supply (-)	26	0V	Excitation supply (-)
11	24V	Excitation supply (+)	27	24V	Excitation supply (+)
12	0V	Excitation supply (-)	28	0V	Excitation supply (-)
13	Di 4	Input 4	29	Di 8	Input 8
14	0V	Excitation supply (-)	30	0V	Excitation supply (-)
15	24V	Excitation supply (+)	31	24V	Excitation supply (+)
16	0V	Excitation supply (-)	32	0V	Excitation supply (-)

PC CONFIGURATOR

The following parameter items can be configured with PC Configurator Software (model: R8CFG). Refer to the users manual of the software for detailed operations.

CHANNEL BATCH SETTING

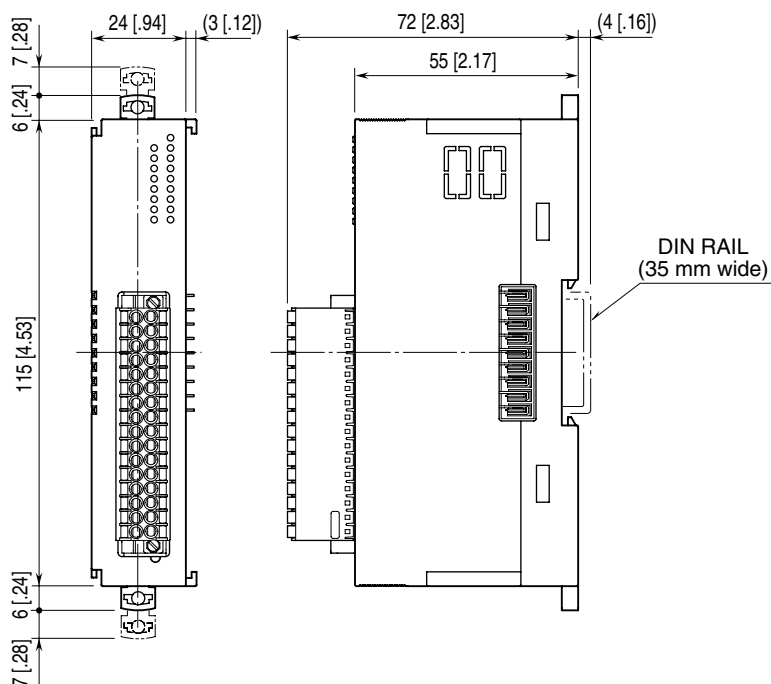
PARAMETER	SETTING RANGE	DEFAULT SETTING
Sampling cycle	1, 5, 10, 20, 50, 70, 100, 200 (msec.)	10 (msec.)
Loss of internal bus communication detection time	0.0 to 99.9 (sec.)	1.0 (sec.)

Settings are programmed by the PC Configurator via the Power/Network Module. Refer to the users manual for the R8CFG for detailed operation of the software program.

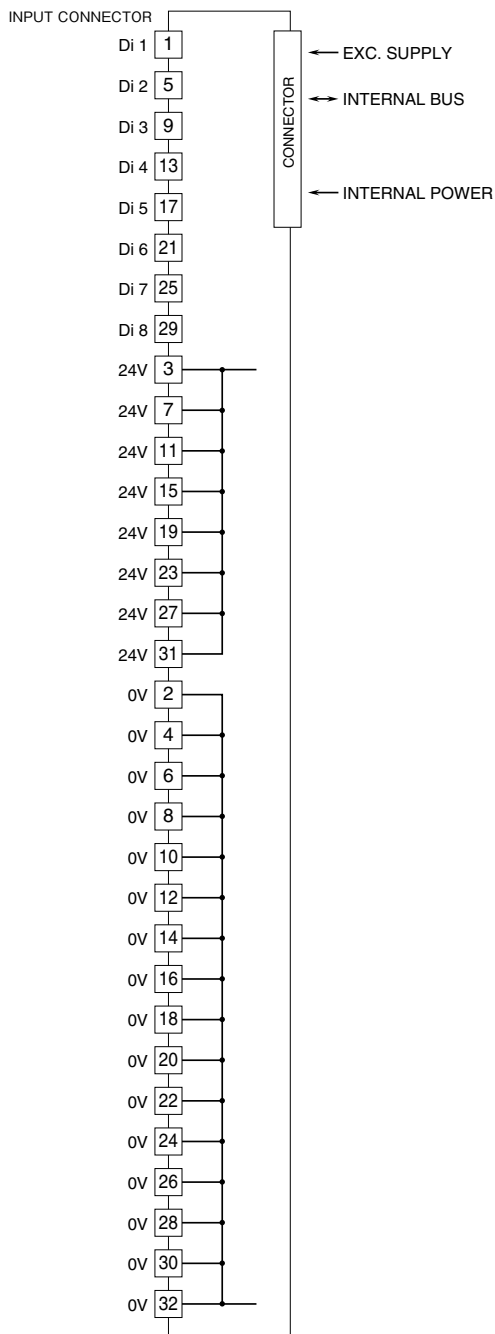
TERMINAL CONNECTIONS

Connect the unit as in the diagram below.

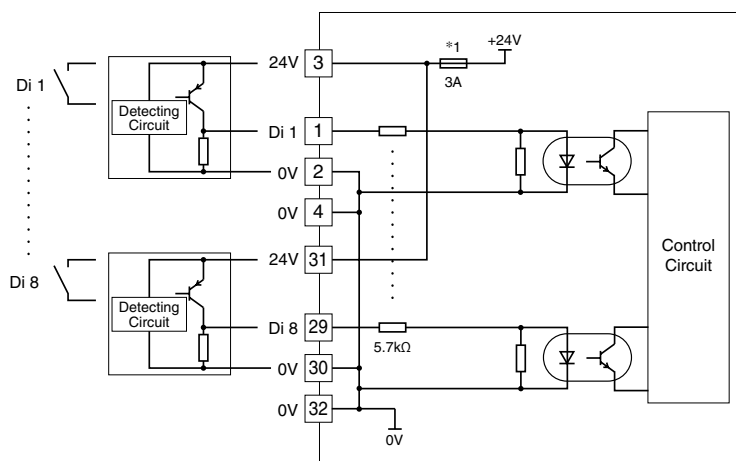
EXTERNAL DIMENSIONS unit: mm [inch]



CONNECTION DIAGRAM



INPUT CIRCUIT



*1. Fuse is not replaceable.

WIRING INSTRUCTIONS

TENSION CLAMP TERMINAL BLOCK

Unit side connector: DMC1,5/16-G1F-3,5-LR P26THR
(Phoenix Contact)

Cable side connector: DFMC1,5/16-STF-3,5
(Phoenix Contact)

Applicable wire size: 0.2 – 1.5 mm²

Stripped length: 10 mm

Recommended solderless terminal

- AI0,25-10YE 0.25 mm² (Phoenix Contact)
- AI0,34-10TQ 0.34 mm² (Phoenix Contact)
- AI0,5-10WH 0.5 mm² (Phoenix Contact)
- AI0,75-10GY 0.75 mm² (Phoenix Contact)
- A1-10 1.0 mm² (Phoenix Contact)
- A1,5-10 1.5 mm² (Phoenix Contact)