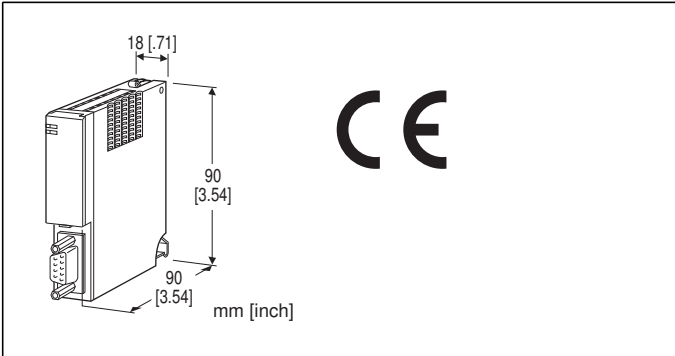


## Remote I/O R6 Series

### PROFIBUS-DP INTERFACE MODULE

(for 62-point analog signals)



### MODEL: R6-NP1[1]

#### ORDERING INFORMATION

- Code number: R6-NP1[1]
- Specify a code from below for [1].  
(e.g. R6-NP1/Q)
- Specify the specification for option code /Q  
(e.g. /C01)

#### [1] OPTIONS

blank: none

/Q: With options (specify the specification)

#### SPECIFICATIONS OF OPTION: Q

**COATING (For the detail, refer to M-System's web site.)**

/C01: Silicone coating

/C02: Polyurethane coating

#### GENERAL SPECIFICATIONS

**Connection**

**Network:** 9-pin D-sub connector, female

**Internal bus:** Via the Installation Base (model: R6x-BS)

**Power supply:** Via the Installation Base (model: R6x-BS)

**Max. number of I/O modules:** 31 (analog 62 points)

**Module address:** 1 to 31

**Isolation:** PROFIBUS to internal bus or internal power

**RUN indicator:** Bi-color (green/red) LED (refer to the instruction manual)

**ERR indicator:** Bi-color (green/red) LED (refer to the instruction manual)

#### PROFIBUS COMMUNICATION

**Interface:** PROFIBUS-DP, slave (RS-485 isolation)

**Station No. setting:** Rotary switch; 00 - 7D

(Station No. is 7D even setting greater value)

**Max. baud rate:** 12 Mbps

**Protocol:** DPV1 (The following functions are available.)

Alarm function (Pull/Plug alarm, Status alarm);

I&M function (I&M 0 through 3)

**Transmission cable:** Approved for PROFIBUS-DP

**GSD file:** Msys0C57.GSD

Downloadable at M-System's web site

**Input data:** Max. 124 bytes

**Output data:** Max. 124 bytes

**Total I/O data:** Max. 248 bytes

**Diagnostics:** Module-related, Status (device-related), Channel-related (max. 32 channels, maskable)

#### INSTALLATION

**Operating temperature:** -10 to +55°C (14 to 131°F)

**Operating humidity:** 30 to 90 %RH (non-condensing)

**Atmosphere:** No corrosive gas or heavy dust

**Mounting:** Installation Base (model: R6x-BS)

**Weight:** 100 g (0.22 lb)

#### PERFORMANCE

**Insulation resistance:**  $\geq 100 \text{ M}\Omega$  with 500 V DC

**Dielectric strength:** 1500 V AC @1 minute (PROFIBUS to internal bus or internal power)

#### STANDARDS & APPROVALS

**EU conformity:**

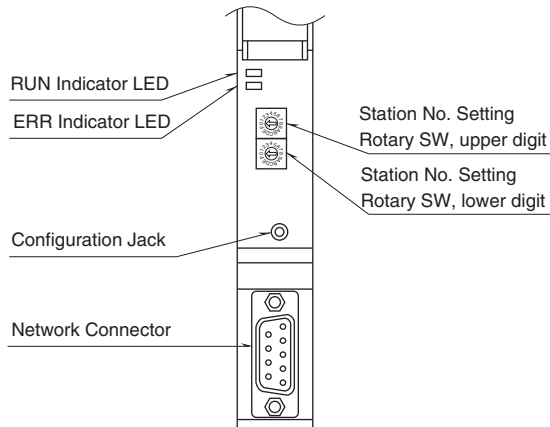
EMC Directive

EMI EN 61000-6-4

EMS EN 61000-6-2

RoHS Directive

## EXTERNAL VIEW



### PROFIBUS INTERFACE

PIN No.	SIGNAL	SIGNIFICANCE
1	NC	Not used
2	NC	Not used
3	B_line	Network, B-line
4	RTS	RTS signal
5	GND	0V
6	P5V	5V
7	NC	Not used
8	A_line	Network, A-line
9	NC	Not used

## I/O DATA DESCRIPTIONS

### 16-BIT ANALOG DATA

0 to 100% of the selected I/O range is converted into 0 to 10000 (binary).

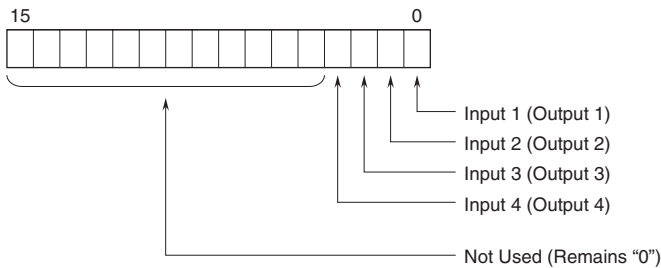
With °C or Kelvin temperature unit, raw data is multiplied by 10. For example, 25.5°C is converted into 255.

With °F temperature unit, the integer section of raw data is directly converted into the data. For example, 135.4°F is converted into 135.

Negative values are represented in 2's complements.

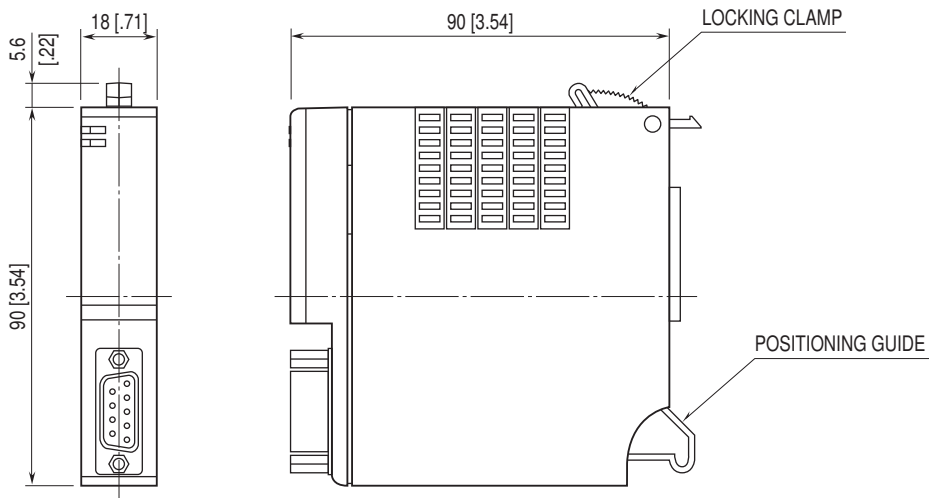


### DISCRETE DATA

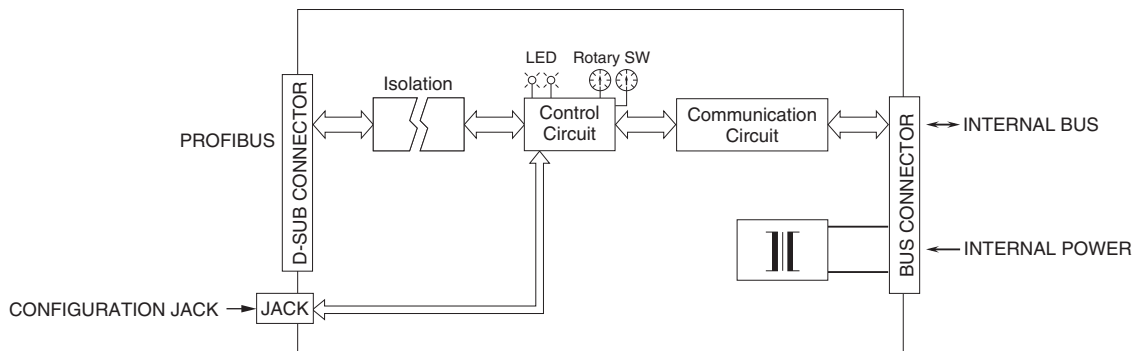


0 : OFF  
1 : ON

**EXTERNAL DIMENSIONS** unit: mm [inch]



**SCHEMATIC CIRCUITRY & CONNECTION DIAGRAM**



Specifications are subject to change without notice.