

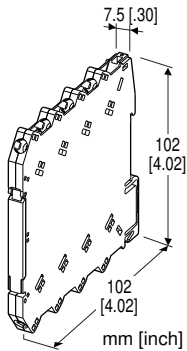
## Remote I/O R6 Series

### DISCRETE INPUT MODULE, 4 points

(Screw terminal)

#### Functions & Features

- Discrete input module (positive or negative common) with 4 channels



### MODEL: R6N-DA4[1]

#### ORDERING INFORMATION

- Code number: R6N-DA4[1]  
Specify a code from below for [1].  
(e.g. R6N-DA4/Q)
- Specify the specification for option code /Q  
(e.g. /C01)

#### [1] OPTIONS

blank: none

/Q: With options (specify the specification)

#### SPECIFICATIONS OF OPTION: Q

**COATING (For the detail, refer to M-System's web site.)**

/C01: Silicone coating

/C02: Polyurethane coating

#### RELATED PRODUCTS

- PC configurator software (model: R6CON)  
Downloadable at M-System's web site.  
A dedicated cable is required to connect the module to the PC. Please refer to the internet software download site or the users manual for the PC configurator for applicable cable types.

#### GENERAL SPECIFICATIONS

**Connection**

**Internal bus:** Via the Installation Base (model: R6N-BS)

**Input:** M3 screw terminals (torque 0.5 N·m)

**Internal power:** Via the Installation Base (model: R6N-BS)

**Recommended solderless terminal:** Max. 5.8 mm (0.23") wide; Ones with insulation sleeve do not fit.

Applicable wire size: 0.2 - 2.5 mm<sup>2</sup>

**Housing material:** Flame-resistant resin (black)

**Isolation:** Input to internal bus or internal power

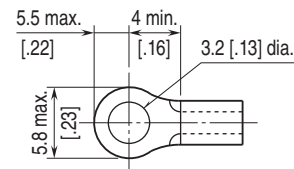
**Module address:** Selectable with DIP and rotary switches on the side

**Power indicator:** Green LED; Refer to the instruction manual for details.

**Status indicator:** Bi-color (red/green) LED; Refer to the instruction manual for details.

**Discrete input status indicators:** Red LED; Refer to the instruction manual for details.

■ **Recommended solderless terminal (unit: mm [inch])**



#### INPUT

**Common:** Positive or negative common (NPN/PNP) per 2 points

**Number of I/O:** Input, 4 points

**Rated input voltage:** 24 V DC ±10 %; ripple 5 %p-p max.

**ON voltage / current:** ≥ 15 V DC (input - COM) / ≥ 3.5 mA

**OFF voltage / current:** ≤ 5 V DC (input - COM) / ≤ 1 mA

**Input current:** ≤ 5.5 mA per point at 24 V DC

**Input resistance:** Approx. 4.4 kΩ

**ON delay:** ≤ 2.0 msec.

**OFF delay:** ≤ 2.0 msec.

#### INSTALLATION

**Current consumption:** 10 mA

**Operating temperature:** -10 to +55°C (14 to 131°F)

**Operating humidity:** 30 to 90 %RH (non-condensing)

**Atmosphere:** No corrosive gas or heavy dust

**Mounting:** Installation Base (model: R6N-BS)

**Weight:** 60 g (2.1 oz)

#### PERFORMANCE

**Data allocation:** 1

**Insulation resistance:** ≥ 100 MΩ with 500 V DC

**Dielectric strength:** 1500 V AC @ 1 minute

(input to internal bus or internal power to ground)

## STANDARDS & APPROVALS

EU conformity:

EMC Directive

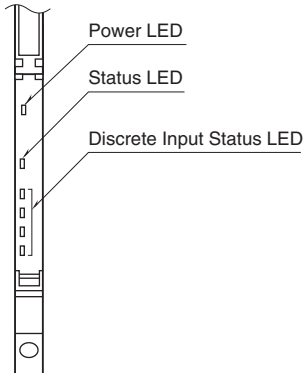
EMI EN 61000-6-4

EMS EN 61000-6-2

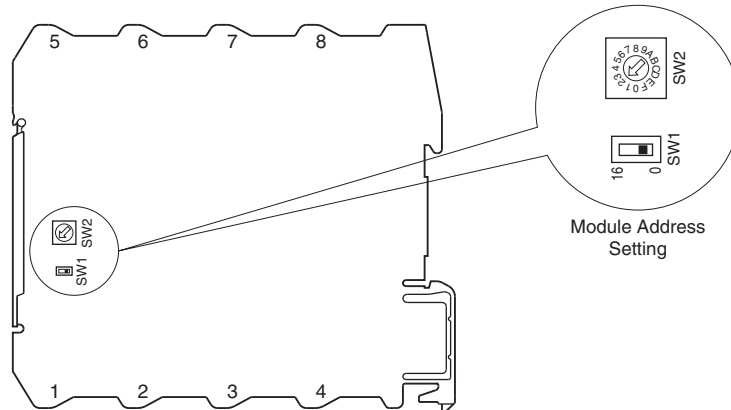
RoHS Directive

## EXTERNAL VIEW

• Front View (cover opened)

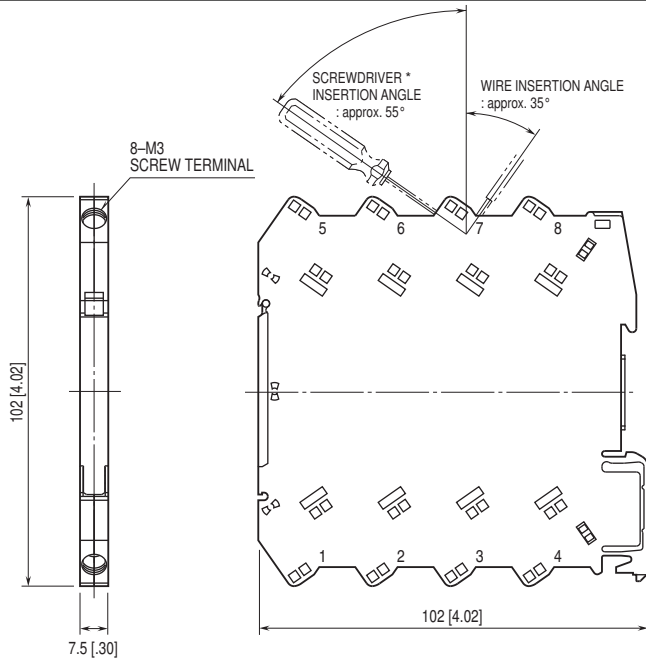


• Side View



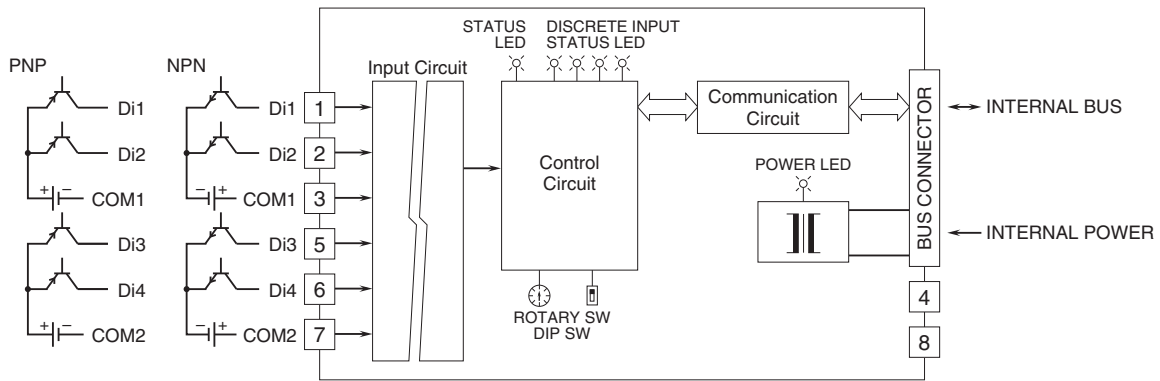
Refer to the instruction manual for setting procedures.

## EXTERNAL DIMENSIONS & TERMINAL ASSIGNMENTS unit: mm [inch]

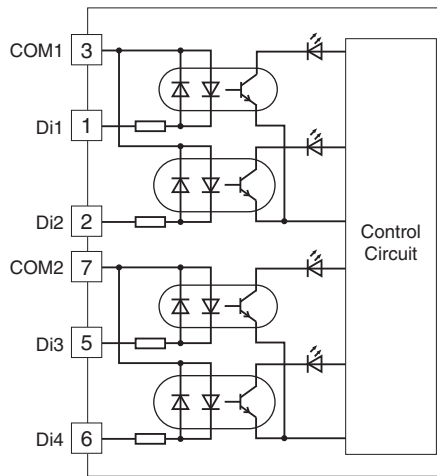


\*Screwdriver stem diameter: 6 mm [0.24"] or less

## SCHEMATIC CIRCUITRY & CONNECTION DIAGRAM



### Input Circuit



Specifications are subject to change without notice.