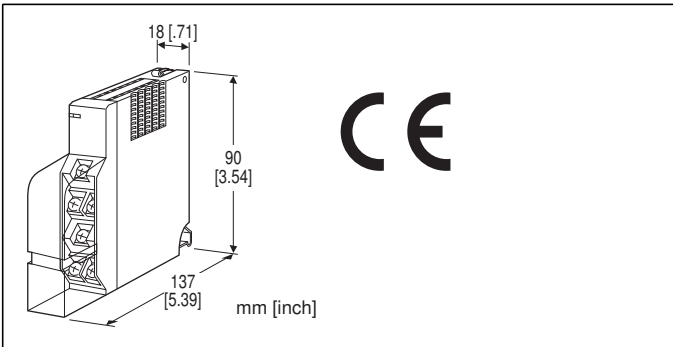


## Remote I/O R5 Series

### DC VOLTAGE INPUT MODULE

(screw terminal block)



### MODEL: R5T-SV[1][2][3]

#### ORDERING INFORMATION

- Code number: R5T-SV[1][2][3]
- Specify a code from below for each of [1] through [3]. (e.g. R5T-SV2W/Q)
- Specify the specification for option code /Q (e.g. /C01/S01)

#### [1] NO. OF CHANNELS

- 1: 1 channel
- 2: 2 channels

#### [2] COMMUNICATION MODE

- S: Single
- W: Dual

#### [3] OPTIONS

- blank: none
- /Q: With options (specify the specification)

#### SPECIFICATIONS OF OPTION: Q (multiple selections)

**COATING (For the detail, refer to M-System's web site.)**

- /C01: Silicone coating
- /C02: Polyurethane coating
- /C03: Rubber coating

#### TERMINAL SCREW MATERIAL

- /S01: Stainless steel

#### GENERAL SPECIFICATIONS

##### Connection

- Internal bus:** Via the Installation Base (model: R5-BS)
- Input:** M3.5 screw terminal block (torque 0.8 N·m)

**Internal power:** Via the base (model: R5-BS)

**Screw terminal:** Nickel-plated steel (standard) or stainless steel

**Isolation:** Input 1 to input 2 to internal bus or internal power

**Input range:** Selectable with the side DIP SW

**RUN indicator:** Bi-color (red/green) LED;

Red when the bus A operates normally;

Green when the bus B operates normally;

Amber when both buses operate normally.

#### INPUT SPECIFICATIONS

■ **Narrow Span:** -1 - +1 V, 0 - 1 V DC

**Input resistance:** 100 kΩ min.

■ **Wide Span:** -10 - +10 V, -5 - +5 V, 0 - 10 V, 0 - 5 V, 1 - 5 V DC

**Input resistance:** 1 MΩ min.

#### INSTALLATION

**Operating temperature:** -10 to +55°C (14 to 131°F)

**Operating humidity:** 30 to 90 %RH (non-condensing)

**Atmosphere:** No corrosive gas or heavy dust

**Mounting:** Installation Base (model: R5-BS)

**Weight:** 110 g (0.24 lb)

#### PERFORMANCE

**Conversion accuracy:** ±0.05 %

**Data range:** 0 - 10000 of the input range

**Data allocation:** 1 (2 for 2-channel type)

**Temp. coefficient:** ±0.015 %/°C (±0.008 %/°F)

**Response time:** ≤ 0.2 sec. (0 - 90 %)

**Insulation resistance:** ≥ 100 MΩ with 500 V DC

**Dielectric strength:** 1500 V AC @ 1 minute (input 1 to input 2 to internal bus or internal power)

2000 V AC @ 1 minute (power input to FG; isolated on the power supply module)

#### STANDARDS & APPROVALS

**EU conformity:**

EMC Directive

EMI EN 61000-6-4

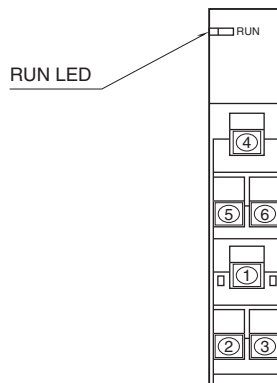
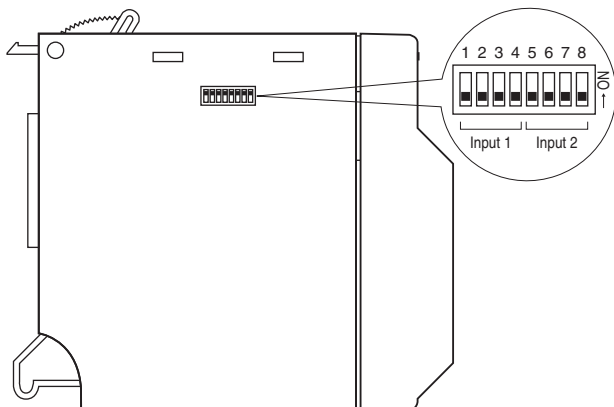
EMS EN 61000-6-2

RoHS Directive

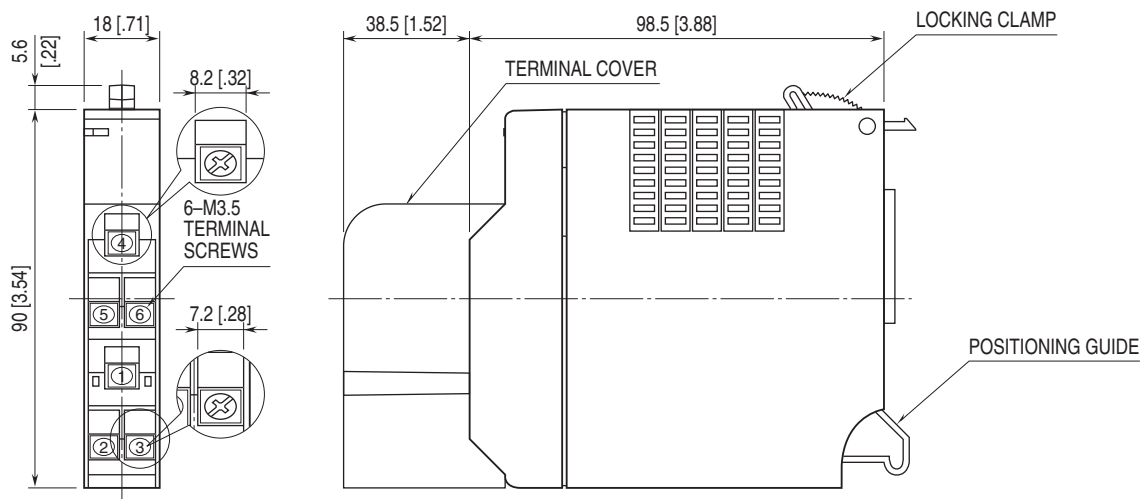
## EXTERNAL VIEW

■ SIDE VIEW

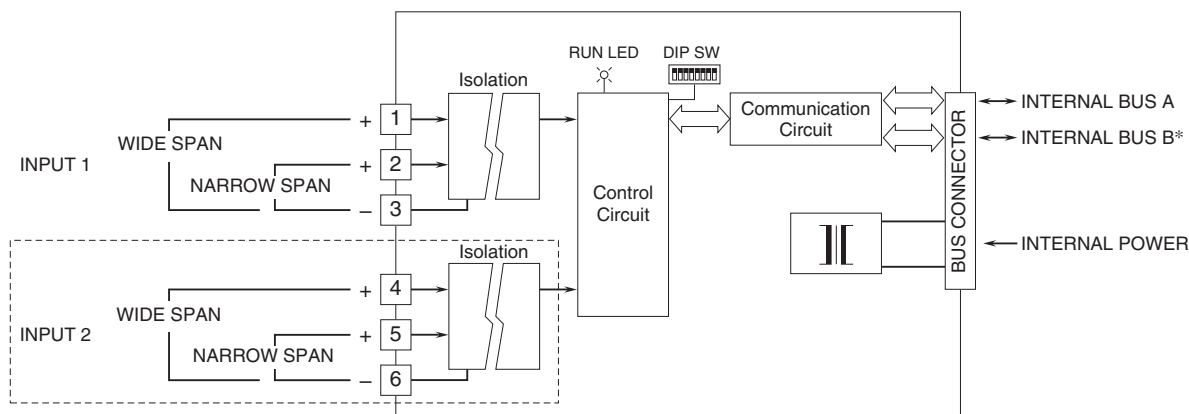
■ FRONT VIEW



## EXTERNAL DIMENSIONS & TERMINAL ASSIGNMENTS unit: mm [inch]



## SCHEMATIC CIRCUITRY & CONNECTION DIAGRAM



\*For dual redundant communication.  
 Note: Connect either wide or narrow span terminals for each channel.  
 The section enclosed by broken line is with 2-ch. option.



Specifications are subject to change without notice.