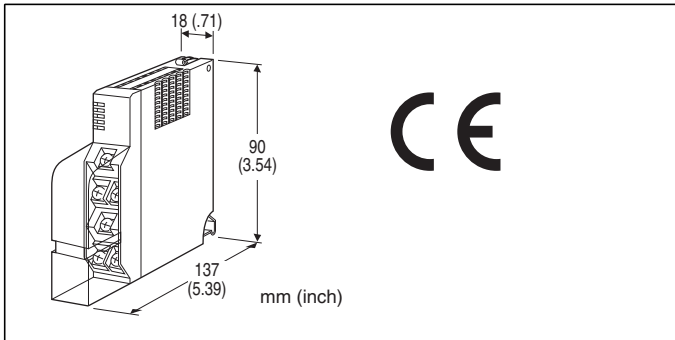


Remote I/O R5 Series

DISCRETE OUTPUT MODULE

(screw terminal block; relay contact output, 4 points)



MODEL: R5T-DC4[1][2]

ORDERING INFORMATION

Code number: R5T-DC4[1][2]

Specify a code from below for each of [1] and [2].

(e.g. R5T-DC4W/Q)

- Specify the specification for option code /Q (e.g. /C01/S01)

NO. OF CHANNELS

4: 4-point outputs

[1] COMMUNICATION MODE

S: Single

W: Dual

[2] OPTIONS

blank: none

/Q: With options (specify the specification)

SPECIFICATIONS OF OPTION: Q (multiple selections)

COATING (For the detail, refer to M-System's web site.)

/C01: Silicone coating

/C02: Polyurethane coating

/C03: Rubber coating

TERMINAL SCREW MATERIAL

/S01: Stainless steel

GENERAL SPECIFICATIONS

Connection

Internal bus: Via the Installation Base (model: R5-BS)

Output: M3.5 screw terminal block (torque 0.8 N·m)

Internal power: Via the base (model: R5-BS)

Screw terminal: Nickel-plated steel (standard) or stainless

steel

Isolation: Do1 or Do2 to Do3 or Do4 to internal bus or internal power

RUN indicator: Bi-color (red/green) LED;

Red when the bus A operates normally;

Green when the bus B operates normally;

Amber when both buses operate normally.

Output status indicator: Red LED; turns on with the outputs ON.

OUTPUT SPECIFICATIONS

Output: Relay contact, 4 points

Common: Every 2 points

Rated load: 250 V AC @ 0.5 A ($\cos \phi = 1$)

30 V DC @ 0.5 A (resistive load)

Maximum switching voltage: 250 V AC or 30 V DC

Maximum switching power: 250 VA or 150 W

Minimum load: 1 V DC @ 1 mA

Mechanical life: 2×10^7 cycles (rate 300/min.)

When driving an inductive load, external contact protection and noise quenching recommended.

INSTALLATION

Operating temperature: -10 to +55°C (14 to 131°F)

Operating humidity: 30 to 90 %RH (non-condensing)

Atmosphere: No corrosive gas or heavy dust

Mounting: Installation Base (model: R5-BS)

Weight: 110 g (0.24 lb)

PERFORMANCE

Data allocation: 1

Response time: ≤ 0.1 sec.

Insulation resistance: ≥ 100 M Ω with 500 V DC

Dielectric strength: 1500 V AC @ 1 minute (Do 1 or Do 2 to Do 3 or Do 4 to internal bus or internal power)

2000 V AC @ 1 minute (power input to FG; isolated on the power supply module)

STANDARDS & APPROVALS

EU conformity:

EMC Directive

EMI EN 61000-6-4

EMS EN 61000-6-2

Low Voltage Directive

EN 61010-1, EN 61010-2-201

Measurement Category II (output)

Pollution Degree 2

Output to internal bus or internal power - Basic insulation
(300 V)

RoHS Directive

FUNCTIONS

Output hold function:

In normal conditions, the module outputs the signal from the preferred bus A.

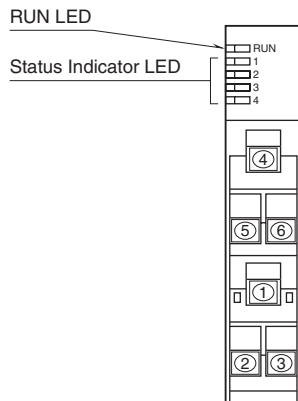
When an error is detected, the output is switched to the data from the bus B.

If both are in error, the module holds the signal and stands by until one of the communications recovers.

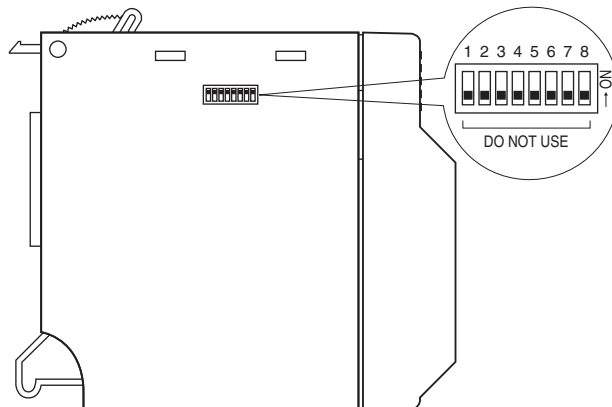
At the startup, it outputs OFF until the communication is established and normal data is received.

EXTERNAL VIEW

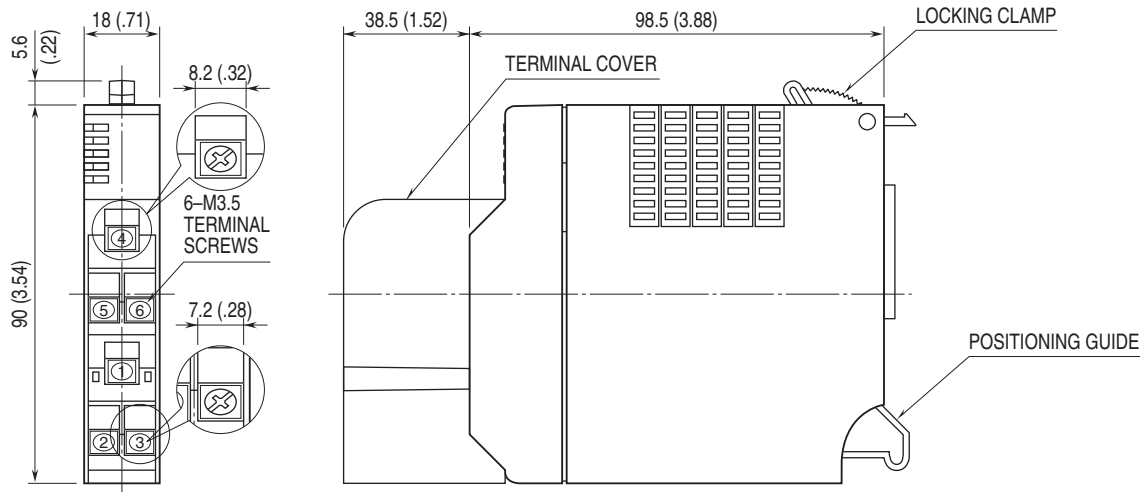
FRONT VIEW



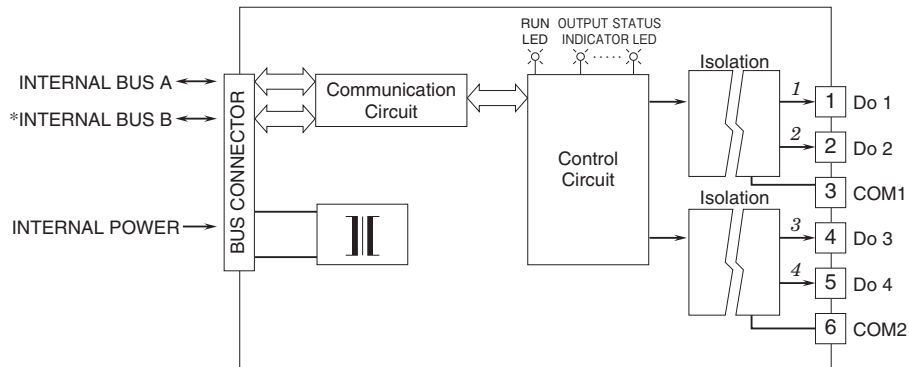
SIDE VIEW



EXTERNAL DIMENSIONS & TERMINAL ASSIGNMENTS unit: mm [inch]



SCHEMATIC CIRCUITRY & CONNECTION DIAGRAM



*For dual redundant communication.
 Note: Italic typed numbers correspond to the LEDs on the front panel.



Specifications are subject to change without notice.