

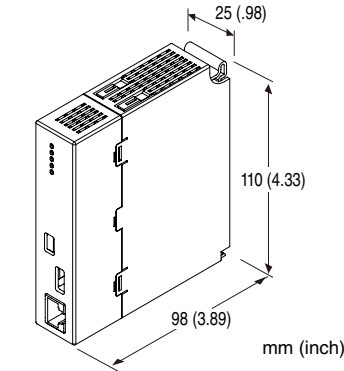
Remote I/O R30 Series

NETWORK MODULE

(OPC UA)

Functions & Features

- Interchanges analog or discrete I/O signals with the OPC UA network.



MODEL: R30NOUA1[1]

ORDERING INFORMATION

- Code number: R30NOUA1[1]
Specify a code from below for [1].
(e.g. R30NOUA1/Q)
- Specify the specification for option code /Q
(e.g. /C01)

[1] OPTIONS

blank: none

/Q: With options (specify the specification)

SPECIFICATIONS OF OPTION: Q

COATING (For the detail, refer to M-System's web site.)

- /C01: Silicone coating
- /C02: Polyurethane coating
- /C03: Rubber coating

NOTICE

R30NOUA1 cannot be used in combination with R3 series I/O modules for extension.

RELATED PRODUCTS

- PC configurator software (model: R30CFG)
Downloadable at M-System's web site.
For connecting to PC, use commercially available Mini-B type USB cable. (provided by user)

GENERAL SPECIFICATIONS

Connection

OPC UA: RJ-45 connector

Internal bus: Via the Installation Base (model: R30BS)

Internal power: Via the Installation Base (model: R30BS)

Housing material: Flame-resistant resin (gray)

Isolation: OPC UA to internal bus or internal power

Calendar clock: Year (4 digits), month, date, day, hour, minute, second

Internal bus communication cycle: Approx. 1 msec.

Indicator LED: RUN, D LINK, ERR

(Refer to the instruction manual for details.)

OPC UA COMMUNICATION

Connection: Ethernet IPv4

Baud rate: 10/100 Mbps

Transmission media: 10BASE-T (STP, Category 5), 100BASE-TX (STP, Category 5e)

Max. length of fieldbus segment: 100 meters

Status indicator LEDs: DPX, LNK

IP address: 192.168.0.1 (factory setting)

Server/Client: OPC UA server (client function not supported)

Encode: UA Binary (UA XML not supported)

Protocol: UA TCP (SOAP/HTTP not supported)

TCP port No.: 4840 (fixed)

Max. number of clients: 4

Encryption: None

Signature: None

Server authentication: None (X059 Certificates not supported)

User authentication: Anonymous (no authentication);

Username (authentication by user name and password)

Server type: DA server (Data access)

INSTALLATION

Current consumption: 115 mA

Operating temperature: 0 to 50°C (32 to 122°F)

Storage temperature: -10 to +60°C (14 to +140°F)

Operating humidity: 10 to 90 %RH (non-condensing)

Atmosphere: No corrosive gas or heavy dust

Mounting: Installation Base (model: R30BS)

Weight: 160 g (0.35 lb)

PERFORMANCE

Calendar clock: (with battery backup)

Accuracy: Monthly deviation 2 minutes at 25°C

Back up period: Approx. 2 years at 25°C

Battery: Primary lithium battery (non-removable)

(In order to prevent battery drain, battery back up is OFF at factory default. Turn it ON prior to start using.)

Insulation resistance: $\geq 100 \text{ M}\Omega$ with 500 V DC

Dielectric strength: 1500 V AC @ 1 minute
(OPC UA to internal bus or internal power)
1500 V AC @ 1 minute (power input to FE; isolated on the power supply module)

STANDARDS & APPROVALS

EU conformity:

EMC Directive

EMI EN 61000-6-4

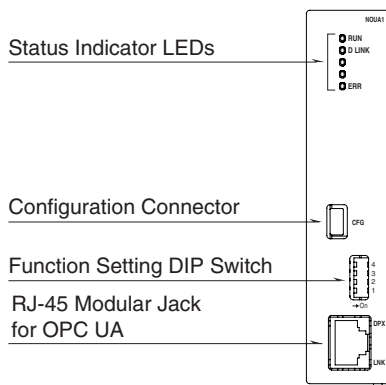
EMS EN 61000-6-2

RoHS Directive

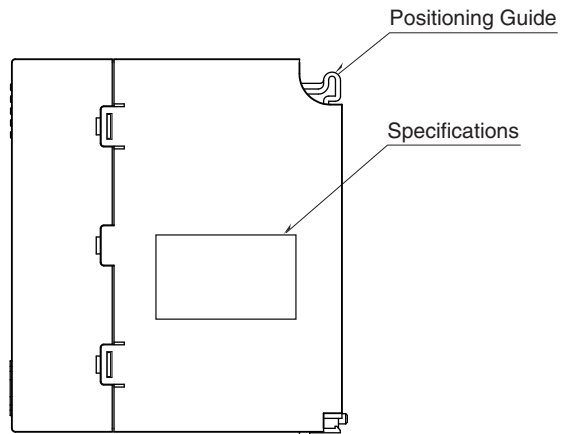
EN 50581

EXTERNAL VIEW

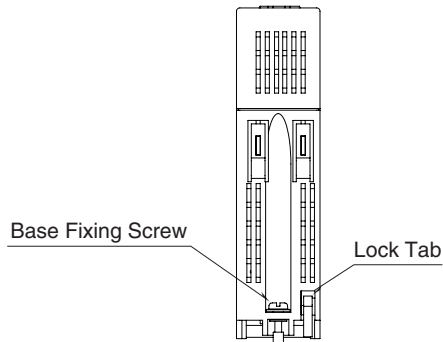
FRONT VIEW



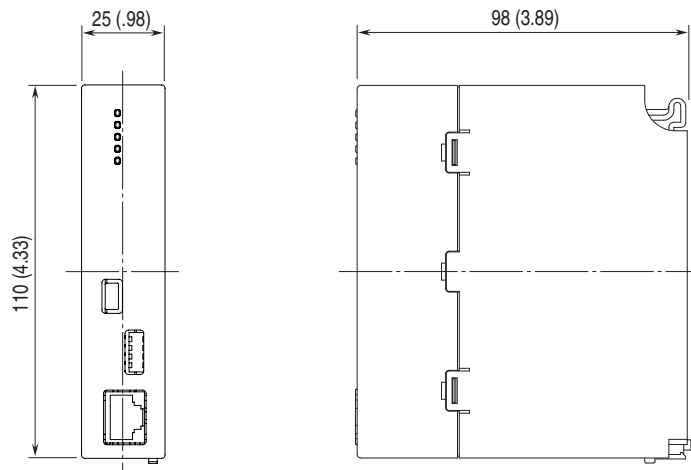
SIDE VIEW



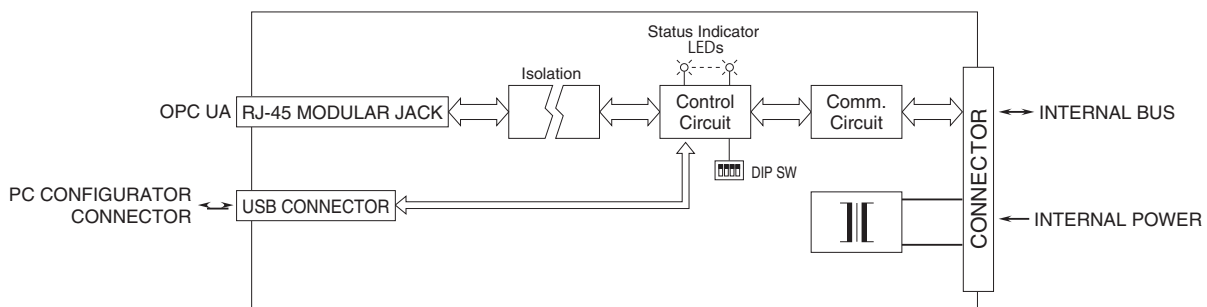
BOTTOM VIEW



EXTERNAL DIMENSIONS unit: mm (inch)



SCHEMATIC CIRCUITRY & CONNECTION DIAGRAM



Specifications are subject to change without notice.