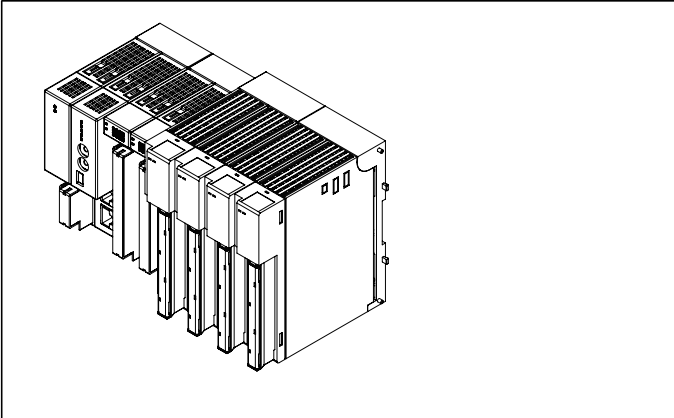


Remote I/O R30 Series

INSTALLATION BASE (R3 I/O module extension use)



MODEL: R30EBS[1][2]

ORDERING INFORMATION

- Code number: R30EBS[1][2]
- Specify a code from below for each of [1] and [2].
(e.g. R30EBS08/Q)
- Specify the specification for option code /Q
(e.g. /C01)

[1] NUMBER OF I/O SLOTS

- 04: 4 slots
- 08: 8 slots

[2] OPTIONS

- blank: none
- /Q: With options (specify the specification)

SPECIFICATIONS OF OPTION: Q

COATING (For the detail, refer to M-System's web site.)

Only solder side of the main PWB is coated.

- /C01: Silicone coating
- /C02: Polyurethane coating
- /C03: Rubber coating

FUNCTIONS & FEATURES

Installation base to add R3 series I/O modules to R30 modules. Install with R30BS to extend. The type and number of slot of available R3 series I/O module is limited by power supply module and network module. Refer to the specification and instruction manual for each module.

CAUTION

- The internal bus communication period for R3 series I/O modules installed on the R30EBS is as follows.
Internal bus communication period = 6 msec. × number of I/O module + 10 msec. (Data update period of main CPU)
Example: Four R3 I/O modules
6 msec. × 4 + 10 msec. = 34 msec.
Even when the R30EBS is mounted to the R30BS, the internal bus communication period of R30 series is kept to approx. 1 msec.

GENERAL SPECIFICATIONS

Capacity:

- R30EBS04: I/O module, 4 slots
- R30EBS08: I/O module, 8 slots

INSTALLATION

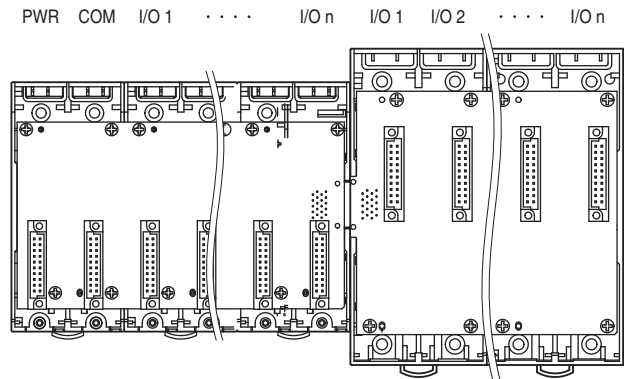
- Operating temperature:** -10 to +55°C (14 to 131°F)
- Storage temperature:** -20 to +65°C (-4 to +149°F)
- Operating humidity:** 10 to 90 %RH (non-condensing)
- Atmosphere:** No corrosive gas or heavy dust
- Mounting:** Surface or DIN rail
- Weight (Without modules mounted)**
R30EBS04: approx. 150 g (0.33 lb)
R30EBS08: approx. 280 g (0.62 lb)

PERFORMANCE

- Dielectric strength:** 1500 V AC @ 1 minute (Internal power or internal bus to FE; isolated on the power supply module)

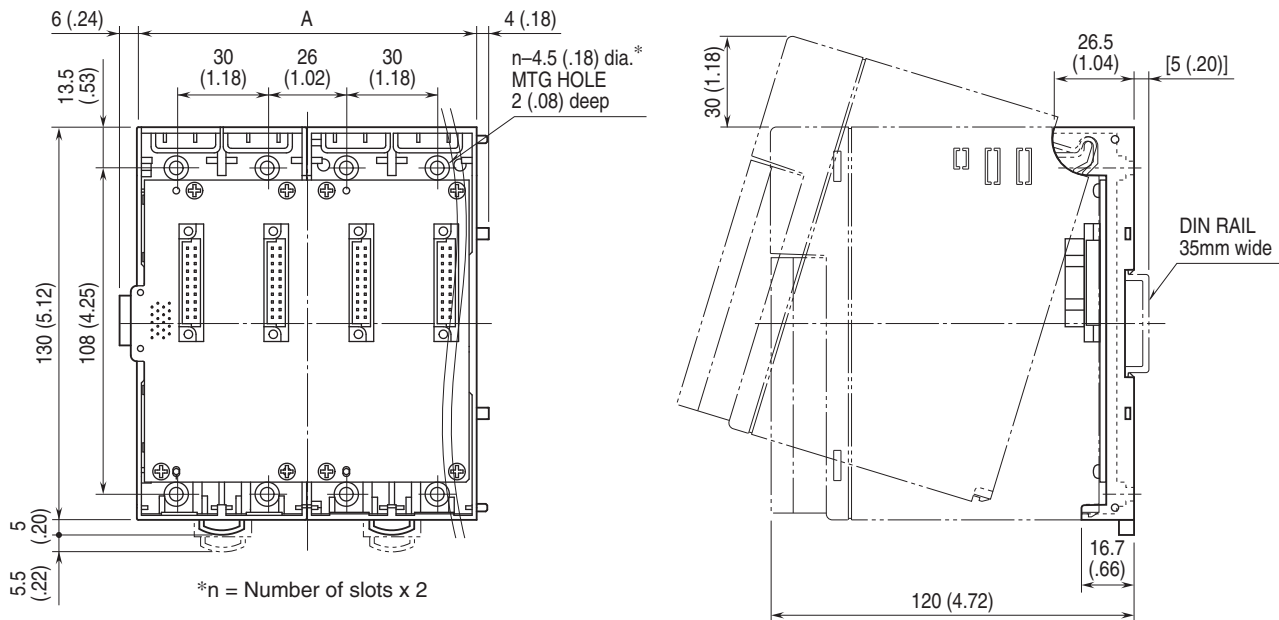
EXTERNAL VIEW

Use in combination with R30BS. Mount the R3 I/O Modules from the left end (I/O 1) to the right.



EXTERNAL DIMENSIONS unit: mm (inch)

■ R30EBS04, 08

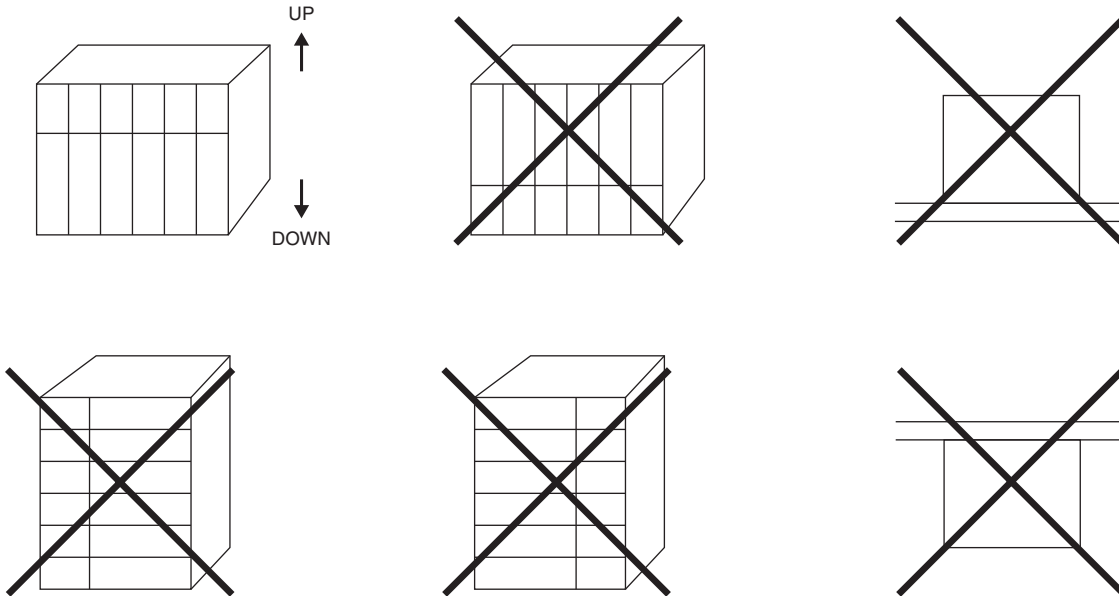


MODEL	A (SIZE)	n (NUMBER OF SCREWS)
R30EBS04	112	8
R30EBS08	224	16

MOUNTING REQUIREMENTS unit: mm (inch)

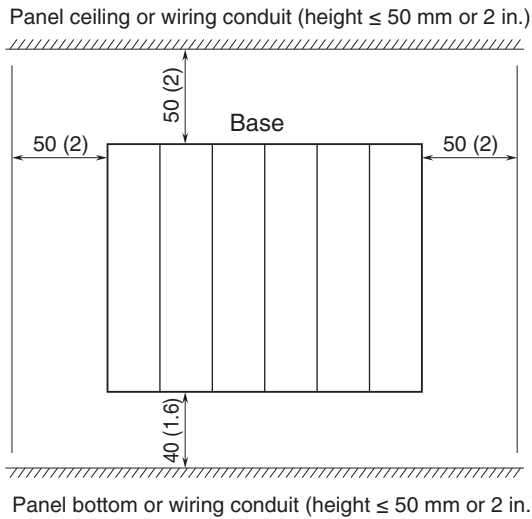
■ **MOUNTING DIRECTION**

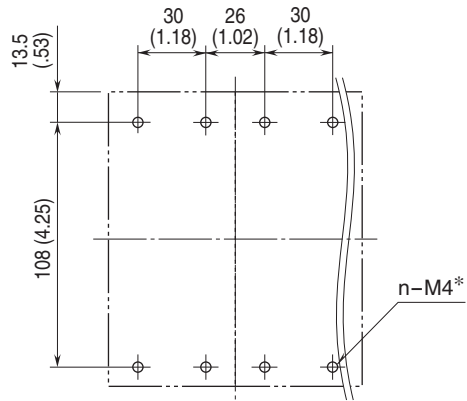
The unit must be mounted on a vertical panel. Mounting in any other angle will cause internal temperature to rise, may shorten the product's life expectation or deteriorate its performance.



■ **MOUNTING ON CONTROL PANEL**

Secure sufficient ventilation space. Do not mount the unit right above devices which radiate great heat such as heaters, transformers or resistors. Maintenance space is also required above and below the unit.





*n = Number of slots x 2



Specifications are subject to change without notice.