

BEFORE USE

Thank you for choosing M-System. Before use, please check contents of the package you received as outlined below.

If you have any problems or questions with the product, please contact M-System's Sales Office or representatives.

■ PACKAGE INCLUDES:

Power supply module(1)

■ MODEL NO.

Confirm Model No. marking on the product to be exactly what you ordered.

■ INSTRUCTION MANUAL

This manual describes necessary points of caution when you use this product, including installation, connection and basic maintenance procedures.

POINTS OF CAUTION**■ CONFORMITY WITH EU DIRECTIVES**

- The equipment must be mounted inside the instrument panel of a metal enclosure.
- The actual installation environments such as panel configurations, connected devices, connected wires, may affect the protection level of this unit when it is integrated in a panel system. The user may have to review the CE requirements in regard to the whole system and employ additional protective measures to ensure the CE conformity.

■ POWER INPUT RATING & OPERATIONAL RANGE

- Locate the power input rating marked on the product and confirm its operational range as indicated below:
24V DC rating : 24V DC \pm 10%, approx. 21W, approx. 0.9A

■ GENERAL PRECAUTIONS

- Before you remove the unit or mount it, turn off the power supply for safety.
- Before you remove the terminal block or mount it, make sure to turn off the power supply for safety.

■ ENVIRONMENT

- Indoor use.
- When heavy dust or metal particles are present in the air, install the unit inside proper housing with sufficient ventilation.
- Do not install the unit where it is subjected to continuous vibration. Do not subject the unit to physical impact.
- Environmental temperature must be within -10 to +55°C (14 to 131°F) with relative humidity within 10 to 90% RH in order to ensure adequate life span and operation.

■ WIRING

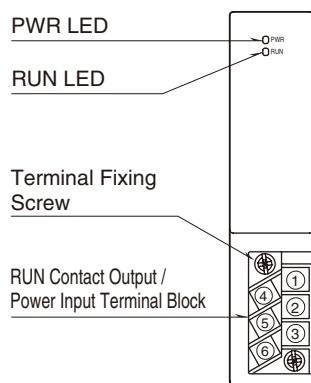
- Do not install cables close to noise sources (relay drive cable, high frequency line, etc.).
- Do not bind these cables together with those in which noises are present. Do not install them in the same duct.
- Be sure to attach the terminal cover for safety.

■ AND

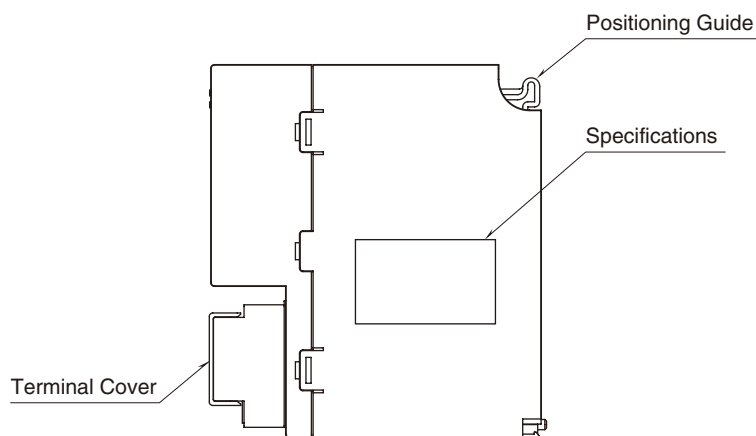
- The unit is designed to function as soon as power is supplied, however, a warm up for 10 minutes is required for satisfying complete performance described in the data sheet.

COMPONENT IDENTIFICATION

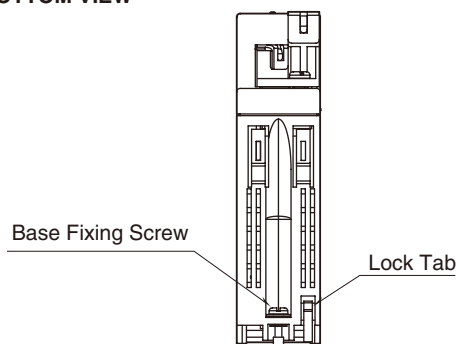
■ FRONT VIEW



■ SIDE VIEW



■ BOTTOM VIEW



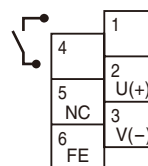
■ STATUS INDICATOR LED

ID	COLOR	FUNCTION
PWR	Green	ON when power is supplied OFF when power is turned off
RUN	Green	ON when network module operates normally OFF when a network module error occurs

■ RUN CONTACT OUTPUT

RUN contact output turns on (closed) when the network module operates normally.

■ TERMINAL ASSIGNMENT



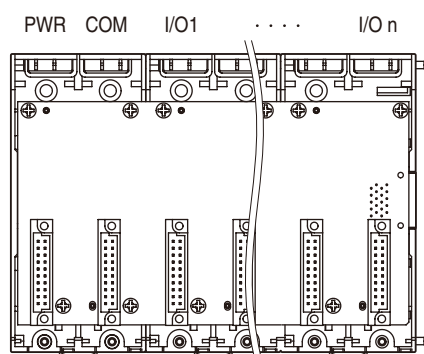
NO.	ID	FUNCTION
1	RUN contact output	RUN contact output
2	U (+)	Power supply (24V DC)
3	V (-)	Power supply (0V DC)
4	RUN contact output	RUN contact output
5	NC	Not used
6	FE	Functional earth

INSTALLATION

■ INSTALLATION TO THE BASE

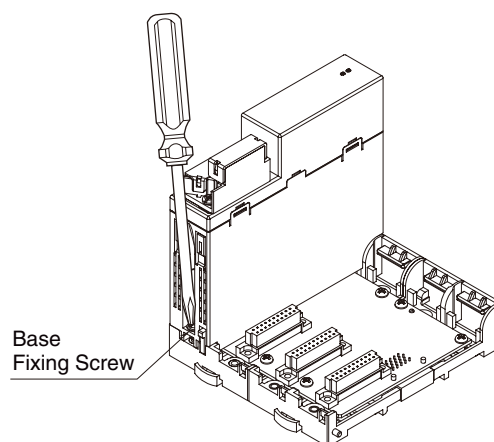
Use the Installation Base (model: R30BS).

The mounting slot for the power supply module is fixed to PWR. Do not mount the power supply module to any other slot.



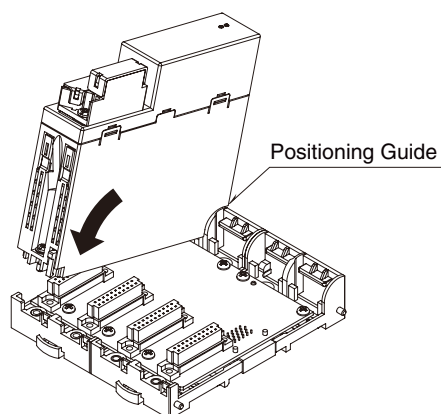
■ HOW TO REMOVE THE MODULE

- 1) Loosen the base fixing screw using a screwdriver (stem length: 70 mm/2.76" or more).

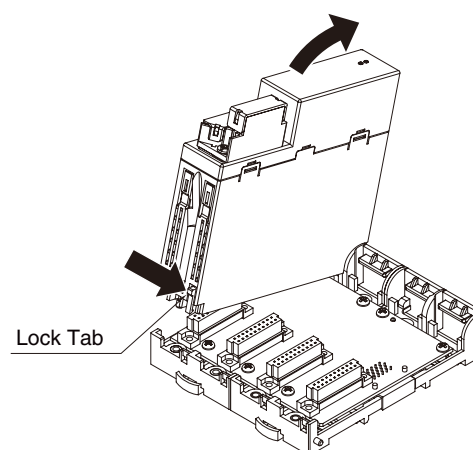


■ HOW TO MOUNT THE MODULE

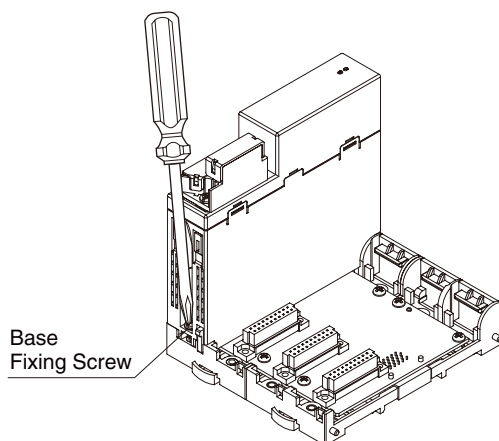
- 1) Engage the positioning guide of the module with the Installation Base.
- 2) Pivot the module on the positioning guide and press it down until the lock tab clicks into place.



- 2) While pressing the projection on the lock tab, push the module upward.
- 3) Detach the positioning guide of the module from the Installation Base.



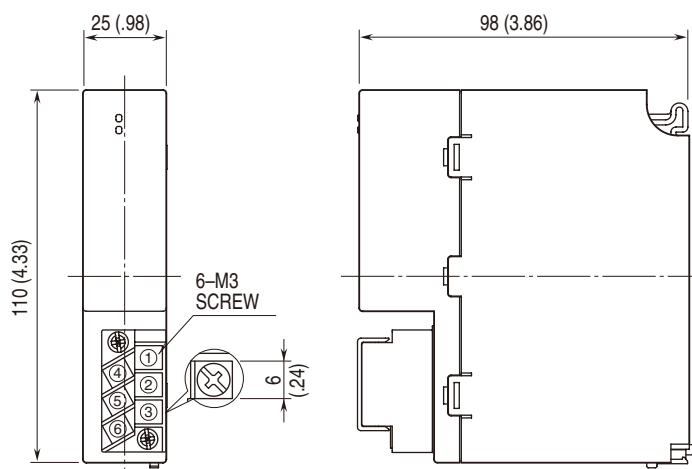
- 3) Tighten the base fixing screw using a screwdriver (stem length: 70 mm/2.76" or more) (torque 0.5 N·m).



TERMINAL CONNECTIONS

Connect the unit as in the diagram below.

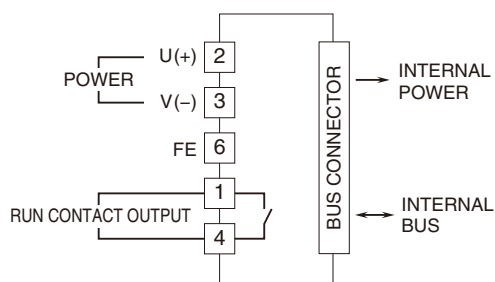
EXTERNAL DIMENSIONS unit : mm (inch)



CONNECTION DIAGRAM

Note: In order to improve EMC performance, bond the FE terminal to ground.

Caution: This terminal is NOT a protective conductor terminal.



WIRING INSTRUCTIONS

TIGHTENING TORQUE

Separable screw terminal wiring screw: 0.5 N·m

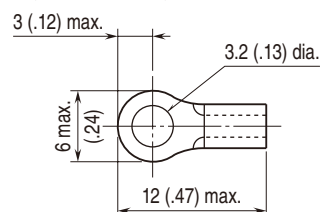
Separable screw terminal fixing screw: 0.5 N·m

SOLDERLESS TERMINAL unit: mm (inch)

Refer to the drawing below for recommended ring tongue terminal size. Spade tongue type is also applicable. Solderless terminals with insulation sleeve do not fit.

Applicable wire size: 0.25 to 0.75 mm²

Recommended manufacturer: Japan Solderless Terminal MFG. Co., Ltd., Nichifu Co., Ltd.



HOW TO REMOVE SEPARABLE SCREW TERMINAL

The terminal block is separable in two pieces. Evenly loosen two screws on top and bottom of the terminal block to separate.