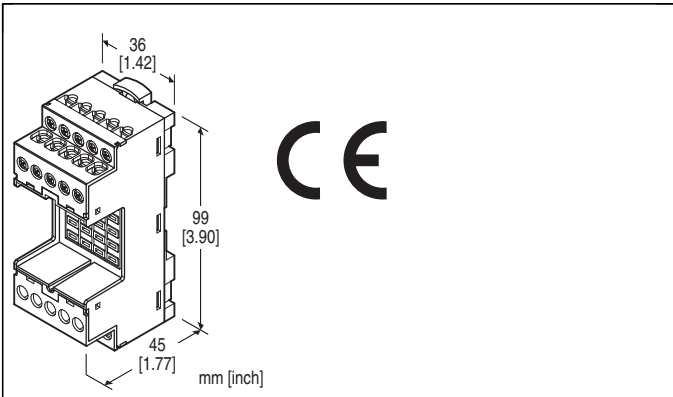


## Plug-in Remote I/O R10 Series

### INSTALLATION BASE



**MODEL: R10-BS1[1]**

### ORDERING INFORMATION

- Code number: R10-BS1[1]
- Specify a code from below for [1].  
(e.g. R10-BS1/Q)
- Specify the specification for option code /Q  
(e.g. /C01)

### BASE TYPE

1: For R10M series

### [1] OPTIONS

blank: none

/Q: With options (specify the specification)

### SPECIFICATIONS OF OPTION: Q

**COATING (For the detail, refer to M-System's web site.)**

/C01: Silicone coating

/C02: Polyurethane coating

/C03: Rubber coating

### RELATED PRODUCTS

- Remote I/O R10 series

### GENERAL SPECIFICATIONS

**Construction:** Plug-in

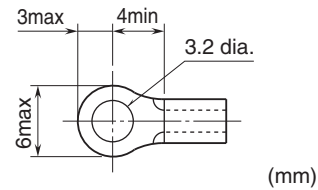
**Connection:** M2.6 screw terminals (torque 0.5 N·m)

- Connected to I/O module with connector

**Screw terminal:** Nickel-plated steel

**Housing material:** Flame-resistant resin (black)

■Recommended solderless terminal size - M3 (unit: mm)



### INSTALLATION

**Power input:** Refer to the I/O module

**Operating temperature:** -10 to +55°C (14 to 131°F)

**Storage temperature:** -10 to +55°C (14 to +131°F)

**Operating humidity:** 10 to 90 %RH (non-condensing)

**Atmosphere:** No corrosive gas or heavy dust

**Mounting:** Surface or DIN rail (35 mm rail)

**Weight (when the I/O module is not mounted):** 105 g (0.23 lb)

### PERFORMANCE

**Insulation resistance:**  $\geq 100 \text{ M}\Omega$  with 500 V DC

(I/O to power to communication to FE1)

**Dielectric Strength:** 1500 V AC @ 1 minute

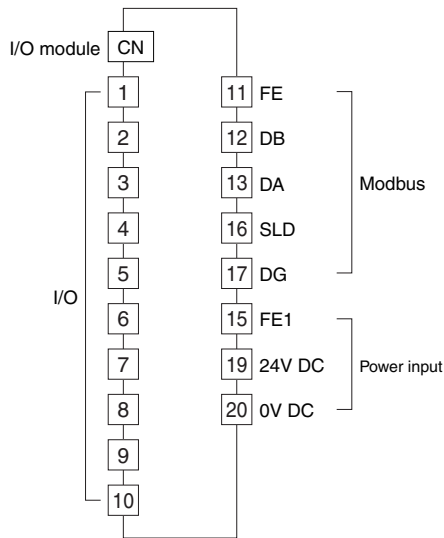
(I/O to power to communication to FE1)

### STANDARDS & APPROVALS

Conforming to related products

RoHS Directive

## CONNECTION DIAGRAM



## TERMINAL ASSIGNMENTS

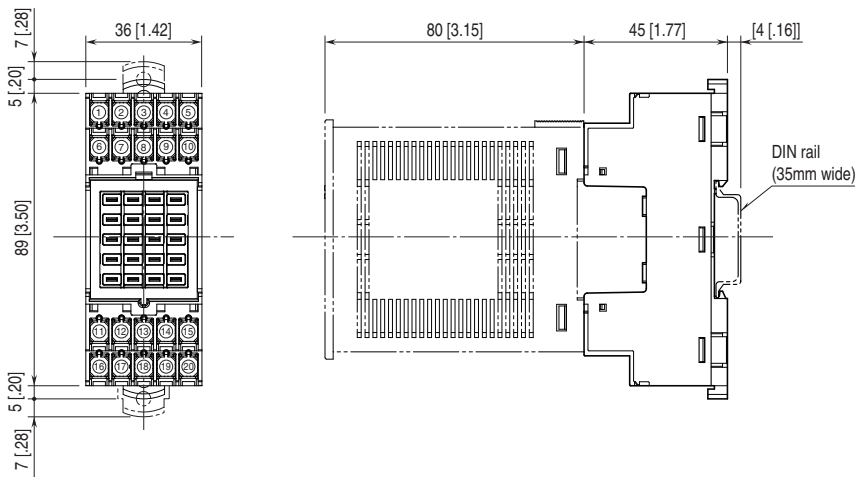
1 IO1	2 IO2	3 IO3	4 IO4	5 IO5
6 IO6	7 IO7	8 IO8	9 IO9	10 IO10
11 FE	12 DB	13 DA	14 NC	15 FE1
16 SLD	17 DG	18 NC	19 24V	20 0V

PIN NO.	ID	FUNCTION	PIN NO.	ID	FUNCTION
1	IO1	I/O Terminal 1	11	FE	Modbus ground
2	IO2	I/O Terminal 2	12	DB	DB
3	IO3	I/O Terminal 3	13	DA	DA
4	IO4	I/O Terminal 4	14	NC	Unused
5	IO5	I/O Terminal 5	15	FE1	Power ground
6	IO6	I/O Terminal 6	16	SLD	Shield
7	IO7	I/O Terminal 7	17	DG	DG
8	IO8	I/O Terminal 8	18	NC	Unused
9	IO9	I/O Terminal 9	19	24V	Power supply 24V DC
10	IO10	I/O Terminal 10	20	0V	Power supply 0V DC

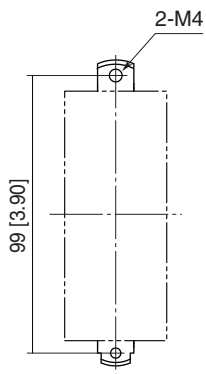
Refer to the uses manual of I/O unit for I/O Terminal 1 to 10.

**\* Base does not come with the unit. Please order separately.**

## EXTERNAL DIMENSIONS & TERMINAL ASSIGNMENTS unit: mm [inch]



**MOUNTING REQUIREMENTS** unit: mm [inch]



Specifications are subject to change without notice.