

---

## Tower Light Series

### MOUNTING POLE

#### Functions & Features

- Used for mounting Tower Light Series
- L-shaped mount and circular base mount are selectable

### MODEL: ITPL-[1]030

#### ORDERING INFORMATION

- Code number: ITPL-[1]030

Specify a code from below for [1].

(e.g. ITPL-1030)

#### [1] TYPE

1: Circular Pedestal Mounting

2: Bracket Mounting

#### LENGTH

**030:** 30 cm (9.8 ft.)

Pole length is changeable (special option).

Consult M-System.

#### RELATED PRODUCTS

- LAN cable (model: ITCA)

#### GENERAL SPECIFICATIONS

##### Construction:

- Pole: Steel
- Base: Aluminium

##### Degree of Protection

- **Type 1:** IP65
- **Type 2:** IP13

(Degrees of protection when used in combination with compatible models of the Tower Light Series.)

#### AVAILABLE MODELS

Tower Light Series IT40S, IT50S, IT60S series

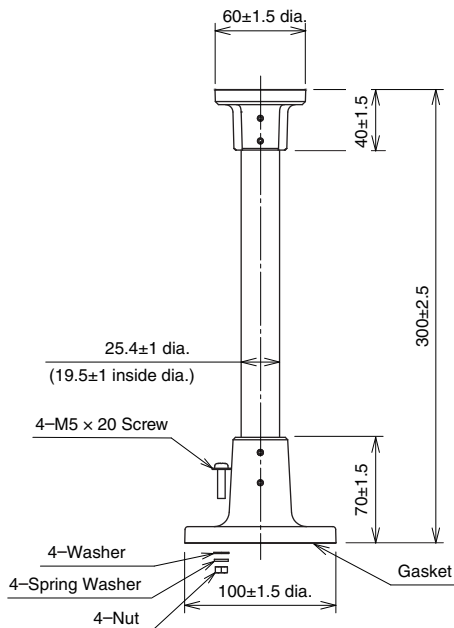
#### INSTALLATION

**Weight:** Approx. 1 kg (2.21 lb) for type 1

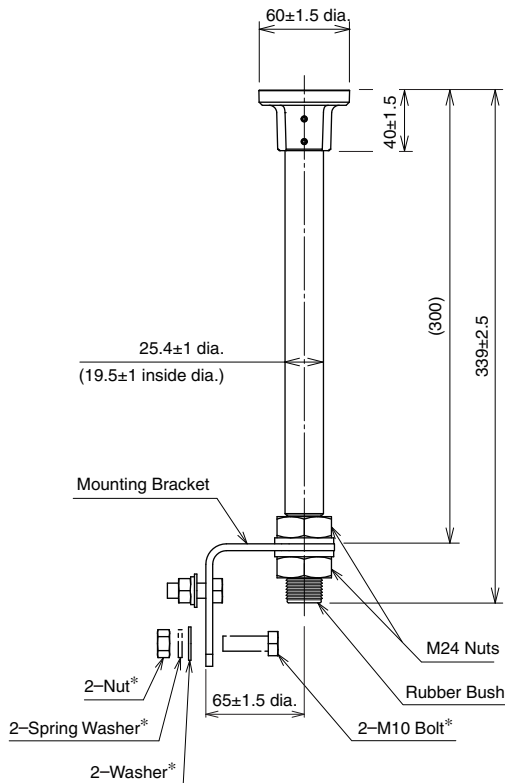
Approx. 1 kg (2.21 lb) for type 2

## DIMENSIONS unit: mm

### TYPE 1



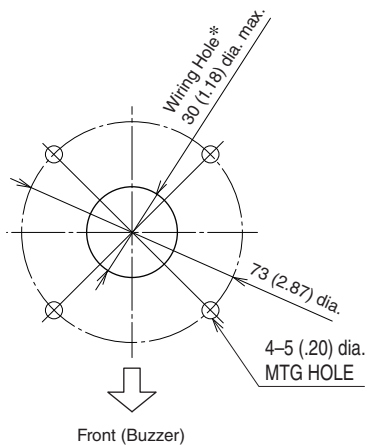
### TYPE 2



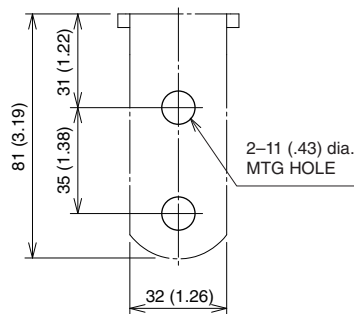
\*Not provided with type 2 (L-shaped mount).

## MOUNTING REQUIREMENTS unit: mm (inch)

### TYPE 1



### TYPE 2\*\*



\* Protect wires to prevent scratching them at the edge of the compartment.  
Determine the hole diameter according to the size of the wires and connectors.

\*\*For type 2 (L-shaped mount), bolts, nuts, washers and spring washers are to be prepared by user.



Specifications are subject to change without notice.