

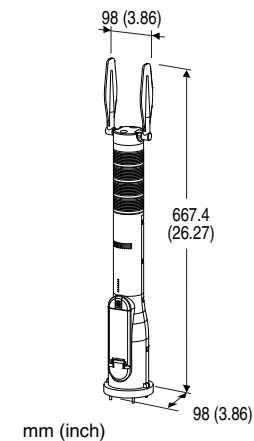
Tower Light Series

DISCRETE INPUT TOWER LIGHT

(60 mm dia., 4 layers)

Functions & Features

- Lighting, blinking and buzzing are controllable with PLC.
- Bi-color lighting available in fourth layer
- Separable tension clamp terminal
- Switchable between positive and negative common for input
- Sensor excitation (24 V DC) incorporated



MODEL: IT60A1-4[1][2][3][4][5]D[6]-[7][8]

ORDERING INFORMATION

- Code number: IT60A1-4[1][2][3][4][5]D[6]-[7][8]
Specify a code from below for each [1] through [8].
(e.g. IT60A1-4RYGBWD1-M2/Q)
- Specify the specification for option code /Q
(e.g. /C01)

LAMP LAYERS

4: 4 layers

[1] LAMP 1 COLOR

(1st layer from the top)

- R: Red
- Y: Amber
- G: Green
- B: Blue
- W: White

[2] LAMP 2 COLOR

(2nd layer from the top)

- R: Red
- Y: Amber
- G: Green
- B: Blue
- W: White

[3] LAMP 3 COLOR

(3rd layer from the top)

- R: Red
- Y: Amber
- G: Green
- B: Blue
- W: White

[4] LAMP 4 COLOR

(4th layer from the top)

- R: Red
- Y: Amber
- G: Green
- B: Blue
- W: White

[5] LAMP 5 COLOR

- R: Red
- Y: Amber
- G: Green
- B: Blue
- W: White
- N: None

MOUNTING

D: Direct mounting

[6] DESIGN TYPE

- 1: Type 1
- 2: Type 2 (with dummy antennae)
(refer to outline dimensions)

[7] POWER INPUT

AC Power

M2: 100 - 240 V AC (Operational voltage range 85 - 264 V, 47 - 66 Hz)

DC Power

R: 24 V DC
(Operational voltage range 24 V ±10 %, ripple 10 %p-p max.)

[8] OPTIONS

blank: none

/Q: With options (specify the specification)

Mounting: Direct mounting

Mounting direction: Vertical

Weight: 1.4 kg (3.1 lb)

SPECIFICATIONS OF OPTION: Q

COATING (For the detail, refer to M-System's web site.)

/C01: Silicone coating

/C02: Polyurethane coating

/C03: Rubber coating

PERFORMANCE

Insulation resistance: $\geq 100 \text{ M}\Omega$ with 500 V DC

Dielectric strength: 1500 V AC @ 1 minute

(Discrete input to power input to FE1)

GENERAL SPECIFICATIONS

Degree of protection: IP 65, vertical mounting only (bottom connectors excluded)

Connection

Power input/Input: Separable tension clamp terminal

Applicable wire size: 0.2 to 1.5 mm², stripped length 10 mm

Recommended solderless terminal:

AI0,5-10WH 0.5mm² (Phoenix Contact)

AI0,75-10GY 0.75mm² (Phoenix Contact)

Housing material: Flame-resistant resin (white)

Lens: Flame-resistant resin (transparent)

Isolation: Discrete input to power input to FE1 (Functional Earth)

DIP SW Setting: Frequency of lamp blinking and buzzing discontinuance, buzzing volume level, input specification. (refer to the instruction manual)

Power LED: Green light turns on when the power is supplied.

Lamp: Red, amber, green, blue and white LEDs on/blinking (approx. 2 Hz, 10 Hz)

Buzzing: Approx. 3.3 kHz

Interval: continuous/intermittent (approx. 2 Hz, 10 Hz)

INPUT SPECIFICATIONS

■ **Discrete Input:** Dry contact, open collector PNP NPN

Input resistance: Approx. 50 k Ω

Common: Negative common NPN, positive common PNP

Sensing: Approx. 24 V DC

ON/OFF level: $\leq 4 \text{ V} / \leq 10 \text{ k}\Omega$ for ON; $\geq 20 \text{ V} / \geq 100 \text{ k}\Omega$ for OFF

INSTALLATION**Power consumption**

• **AC:** Approx. 5 VA at 100 V

Approx. 7 VA at 200 V

Approx. 8 VA at 240 V

• **DC:** Approx. 2.5 W; approx. 100 mA

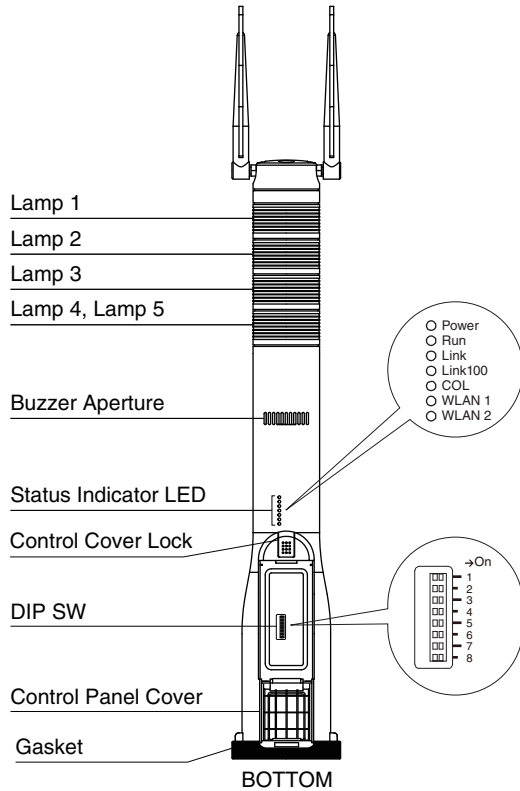
Operating temperature: -10 to +55°C (14 to 131°F)

Operating humidity: 30 to 90 %RH (non-condensing)

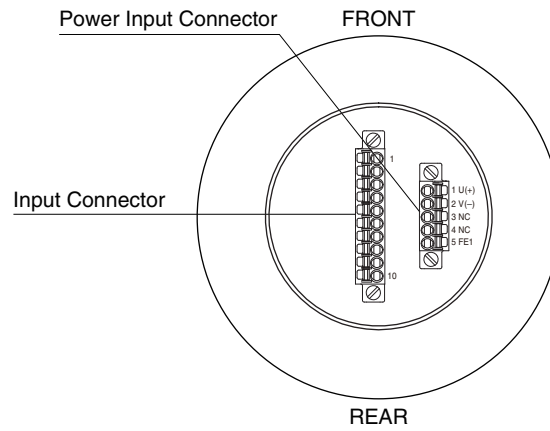
Atmosphere: No corrosive gas

EXTERNAL VIEW

FRONT VIEW

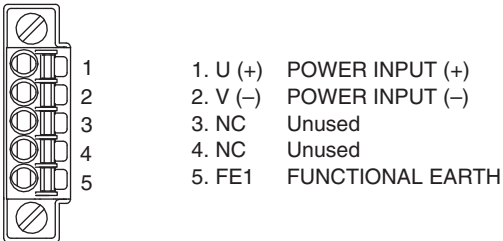


BOTTOM VIEW

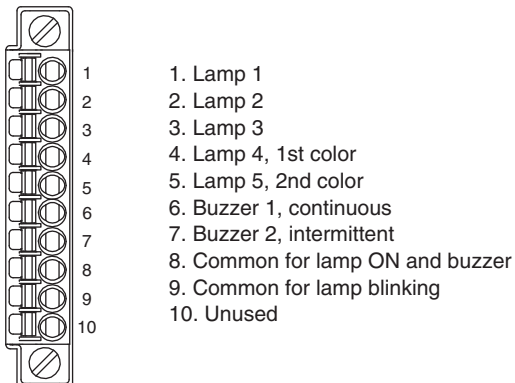


TERMINAL ASSIGNMENTS

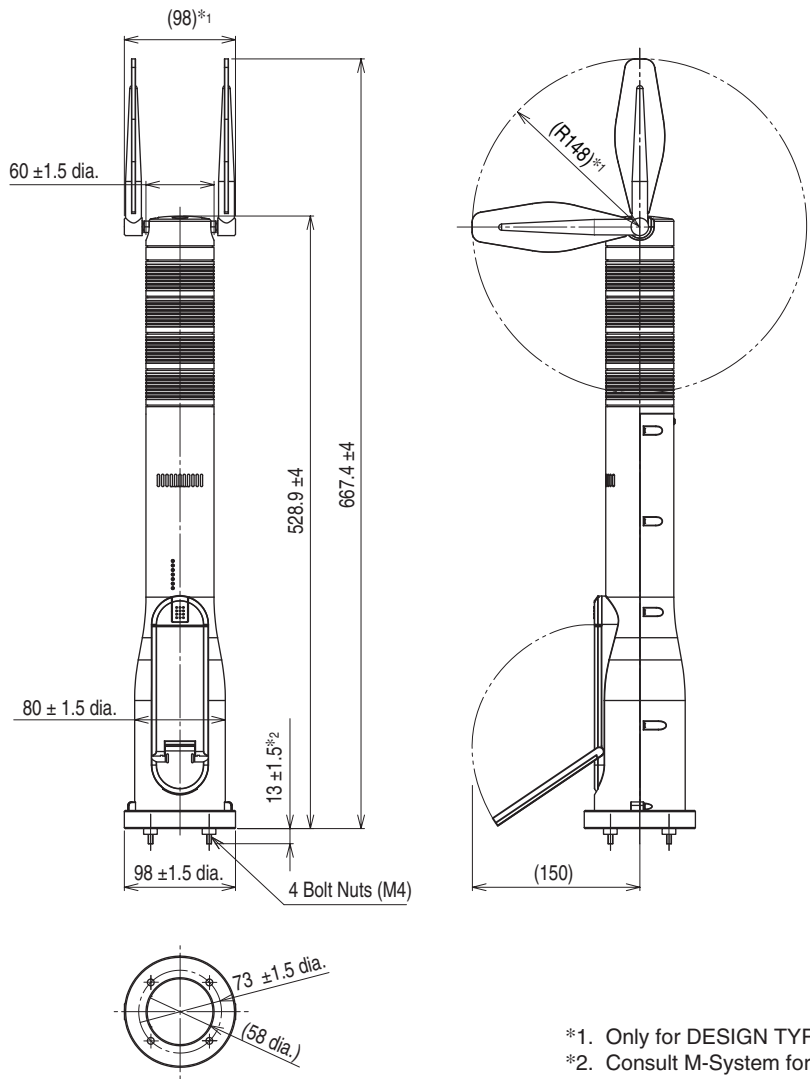
POWER CONNECTOR



INPUT CONNECTOR

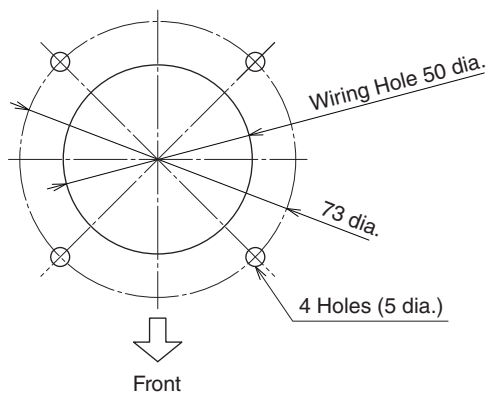


DIMENSIONS unit: mm



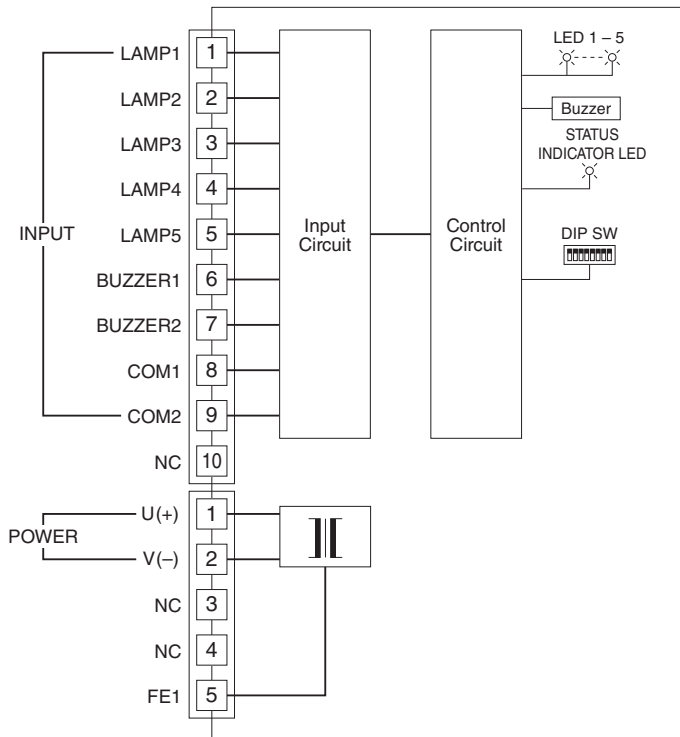
*1. Only for DESIGN TYPE option code 2.
 *2. Consult M-System for other bolt length.

MOUNTING REQUIREMENTS unit: mm



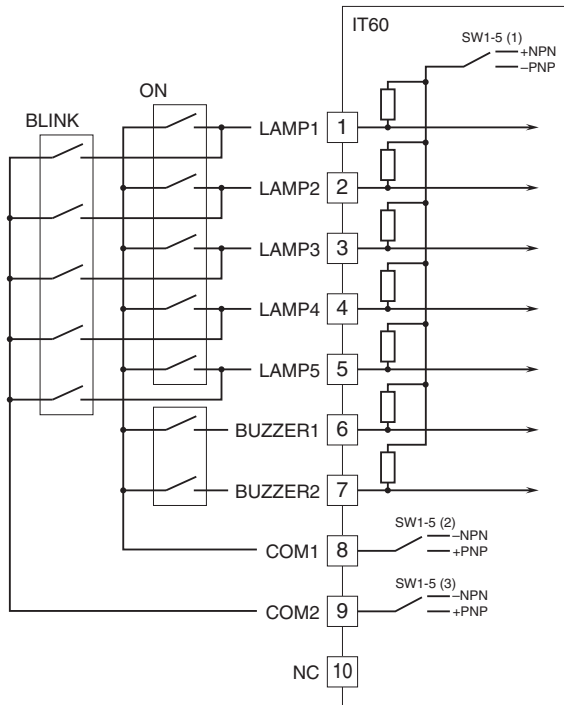
*Protect wires to prevent scratching them at the edge of the compartment.

SCHEMATIC CIRCUITRY & CONNECTION DIAGRAM

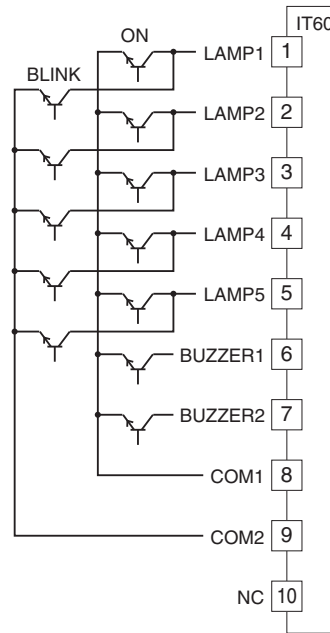


■ WIRING TO INPUT SIGNAL

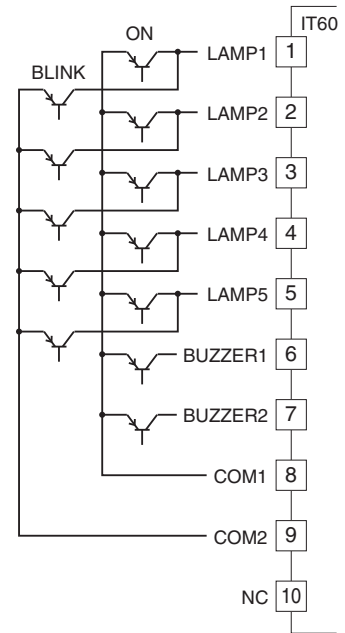
• Contact input connection e.g.



• NPN input e.g.



• PNP input e.g.



Note 1: SW1-5 turns on NPN input and contact input; PNP input turns off SW1-5 input.

Note 2: If "On" (Continuous) and "Blink" (Intermittent) are set simultaneously for a single lamp (buzzer), "Blink" (Intermittent) is disabled.

If one of lamps is set "On" and "Blinking" simultaneously, setting of "Blinking" for other lamps is disabled.



Specifications are subject to change without notice.