

**BEFORE USE ....**

Thank you for choosing M-System. Before use, check the contents of the package you received as outlined below. If you have any problems or questions with the product, please contact M-System's Sales Office or representatives.

**■ PACKAGE INCLUDES:**

- Mounting pole.....(1)
- Mounting bracket\*
- M5 screw.....(4)
- Washer.....(4)
- Spring Washer.....(4)
- Nut.....(4)

\*Provided only with type 1 (circular base mount).

**■ MODEL NO.**

Confirm that the model number described on the product is exactly what you ordered.

**■ INSTRUCTION MANUAL**

This manual describes necessary points of caution when you use this product and installation procedures.

**POINTS OF CAUTION**

**■ REMOVING THE UNIT**

- Before you remove the unit or mount it, turn off the power supply and signals for safety.
- The unit must not be subjected to external force.
- Do not rub the unit with organic solvent like paint thinner.

**■ ENVIRONMENT**

- Indoor use
- Do not install the unit where it is subjected to continuous vibration. Do not subject the unit to physical impact.
- Environmental temperature must be within -10 to +55°C (14 to 131°F) with relative humidity within 30 to 90% RH in order to ensure adequate life span and operation.
- Mount the unit on a flat and robust plane.
- Lamps are omnidirectional.
- The buzzer sound is directional in front of the unit.

**■ INGRESS PROTECTION**

**TYPE 1 (CIRCULAR BASE MOUNT)**

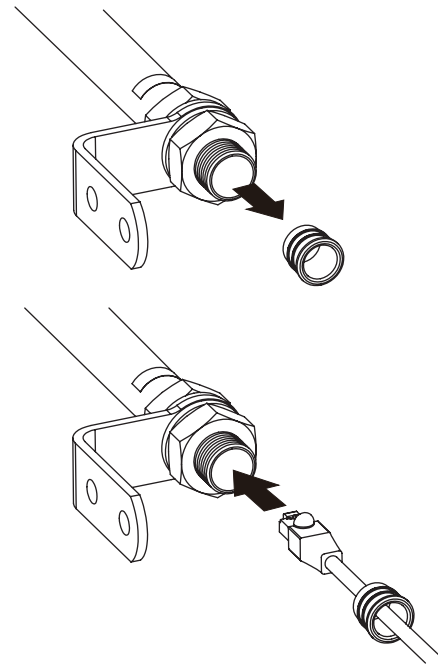
- Degree of protection: IP65
- The IP code is conformable when the unit is mounted vertically. The compartment, where connectors are located, is not protected.
- In order to prevent ingress of water or dust from the bottom of the pole, mount the unit such that the gasket at the bottom of the pole fits closely to the flat plane, after making sure the gasket does not turn up and there is no adhesion of dust. The unit may not satisfy the degree of protection due to improper mounting.

**TYPE 2 (L-SHAPED MOUNT)**

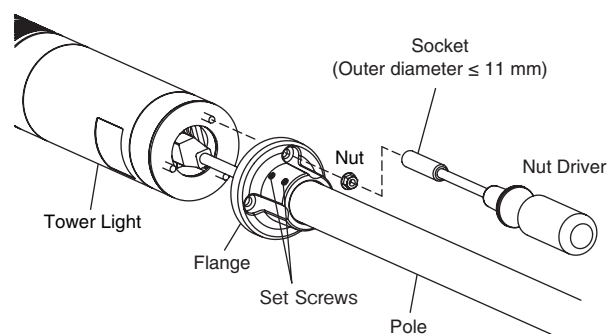
- Degree of protection: IP13
- The IP code is conformable when the unit is mounted vertically.

**INSTALLATION**

- Refer to the following instructions, "EXTERNAL DIMENSIONS" and "MOUNTING REQUIREMENTS".
- Remove a rubber bush to insert a cable of large diameter, such as extended LAN cable (model: ITCA).

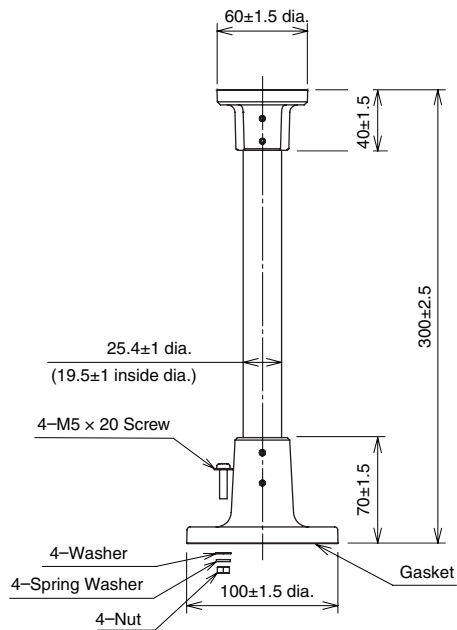


- Use a nut driver of 11 mm or less in outer diameter to fasten Tower Light to the mounting pole.
- Temporarily remove the pole by loosening set screws, depending on the shape of the driver.

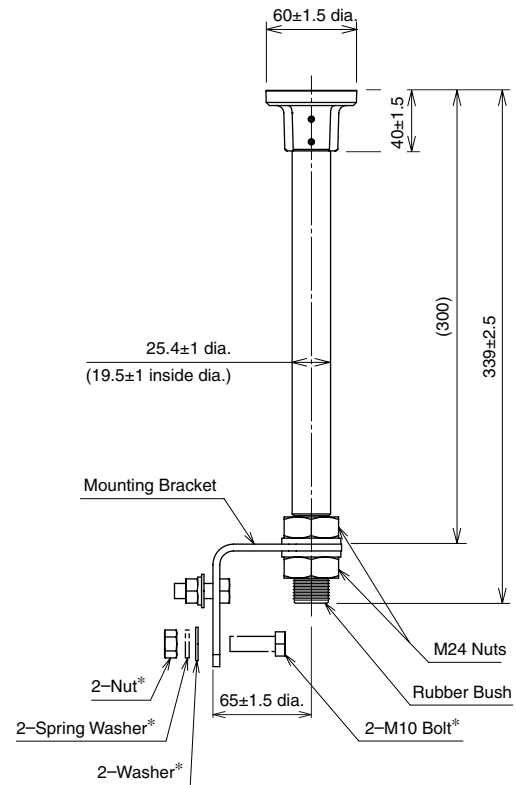


## EXTERNAL DIMENSIONS unit: mm

### ■ TYPE 1



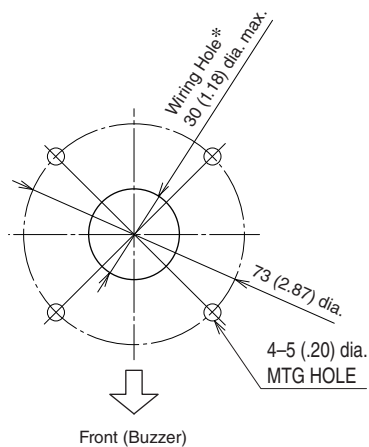
### ■ TYPE 2



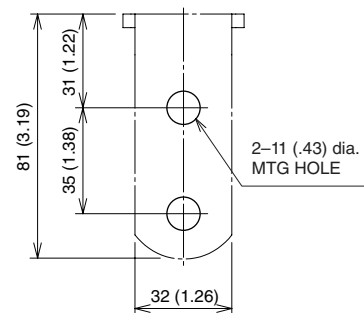
\*Not provided with type 2 (L-shaped mount).

## MOUNTING REQUIREMENTS unit: mm (inch)

### ■ TYPE 1



### ■ TYPE 2\*\*



\* Protect wires to prevent scratching them at the edge of the compartment.  
Determine the hole diameter according to the size of the wires and connectors.

\*\*For type 2 (L-shaped mount), bolts, nuts, washers and spring washers are to be prepared by user.