

**BEFORE USE ....**

Thank you for choosing M-System. Before use, please check contents of the package you received as outlined below.

If you have any problems or questions with the product, please contact M-System's Sales Office or representatives.

**■ PACKAGE INCLUDES:**

Mounting adapter .....(1)

**■ MODEL NO.**

Confirm Model No. marking on the product to be exactly what you ordered.

**■ INSTRUCTION MANUAL**

This manual describes necessary points of caution when you use this product and installation procedures.

**POINTS OF CAUTION****■ REMOVING THE UNIT**

- Before you remove the unit or mount it, turn off the power supply and signals for safety.
- The unit must not be subjected to external force.
- Do not rub the unit with organic solvent like paint thinner.

**■ ENVIRONMENT**

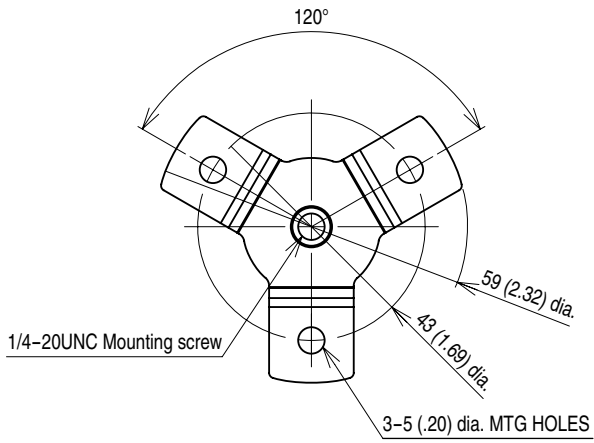
- Indoor use.
- Do not install the unit where it is subjected to continuous vibration. Do not subject the unit to physical impact.
- Environmental temperature must be within -10 to +55°C (14 to 131°F) with relative humidity within 30 to 90% RH in order to ensure adequate life span and operation.
- Mount the unit on a flat and robust plane.

**INSTALLATION**

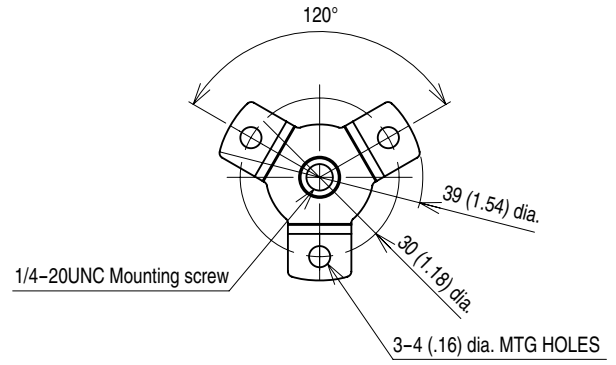
Refer to the following instructions, "EXTERNAL DIMENSIONS" and "MOUNTING REQUIREMENTS".

**EXTERNAL DIMENSIONS unit: mm**

■ TYPE 1

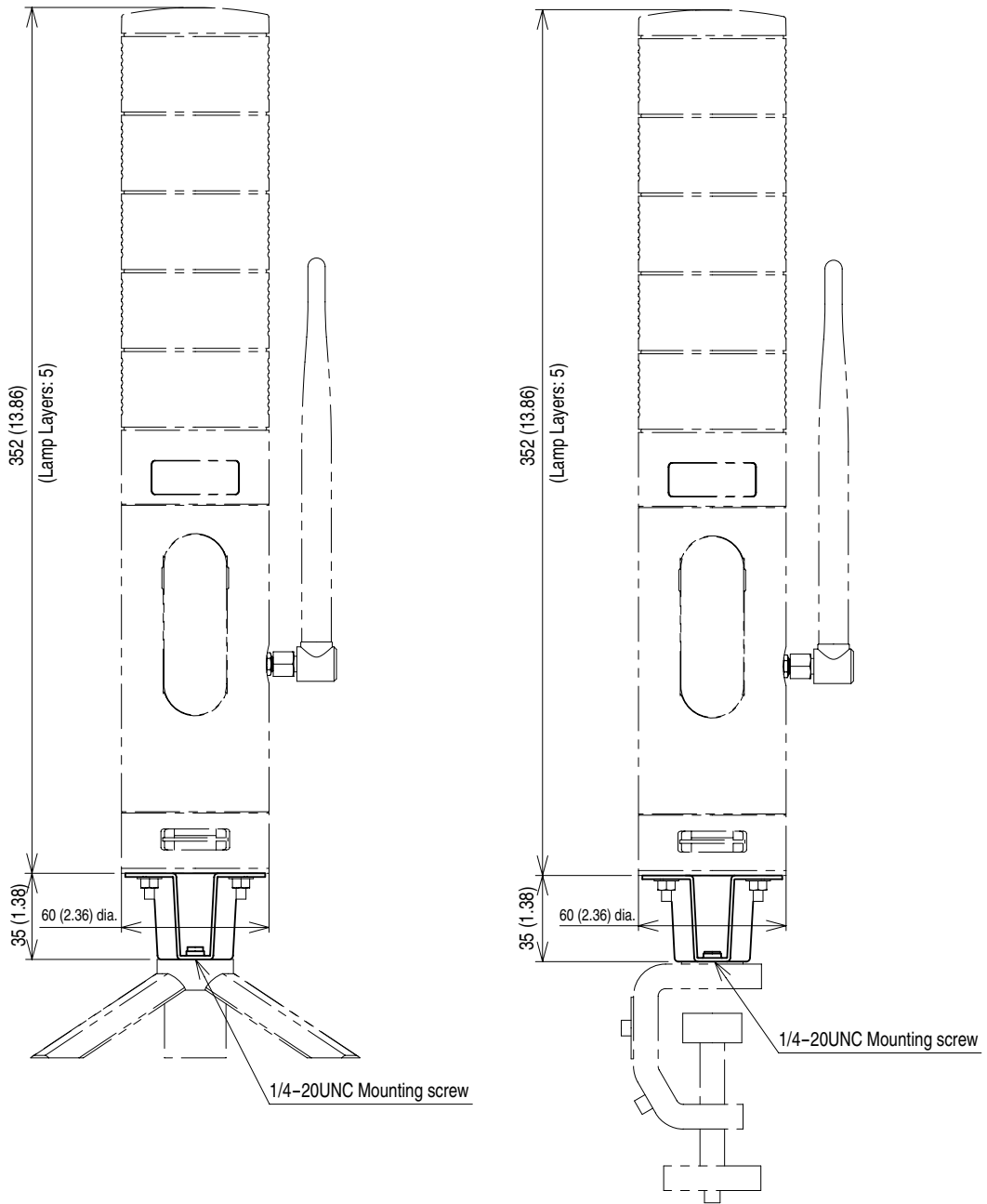


■ TYPE 2



**MOUNTING REQUIREMENTS unit: mm (inch)**

■ TYPE 1



■ TYPE 2

