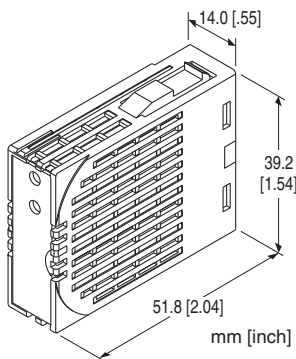


Super-mini Signal Conditioners M80 Series

POTENTIOMETER TRANSMITTER

Functions & Features

- Applying constant voltage to the sensor which outputs a signal proportional to a resistance value
- Amplifying the input from the sensor and providing it as an isolated DC
- Mutual isolation (input to output)
- Space-saving, easy-to-maintain, multi-channel installation base



MODEL: M80MS-6-R

ORDERING INFORMATION

- Code number: M80MS-6-R

INPUT

Total resistance 100 Ω - 10 kΩ

OUTPUT

Voltage

6: 1 - 5 V DC (Load resistance 10 kΩ min.)

POWER INPUT

DC Power

R: 24 V DC

(Operational voltage range 24 V ±10 %, ripple 10 %p-p max.)

RELATED PRODUCTS

- Installation Base (model: M80BSx)

This unit must be mounted on a dedicated base.

GENERAL SPECIFICATIONS

Construction: Plug-in

Housing material: Flame-resistant resin (gray)

Power supply: Via the Installation Base terminals (model: M80BSx)

Isolation: Input to output to power

Zero adjustment: 0 - 20 % of total resistance (front)

Span adjustment: 80 - 100 % of total resistance (front)

INPUT SPECIFICATIONS

Minimum span: 80 % of total resistance

Excitation: 0.5 V DC

INSTALLATION

Current consumption: Approx. 70 mA

Operating temperature: -5 to +55°C (23 to 131°F)

Operating humidity: 5 to 95 %RH (non-condensing)

Mounting: Multi-channel Installation Base (model: M80BSx)

Weight: 20 g (0.71 oz)

PERFORMANCE in percentage of span

Accuracy: ±0.3 %

Temp. coefficient: ±0.015 %/°C (±0.008 %/°F)

Response time: ≤ 15 msec. (0 - 90 %)

Line voltage effect: ±0.1 % over voltage range

Insulation resistance: ≥ 100 MΩ with 500 V DC

Dielectric strength: 1000 V AC @1 minute (input to output to power to ground)

STANDARDS & APPROVALS

EU conformity:

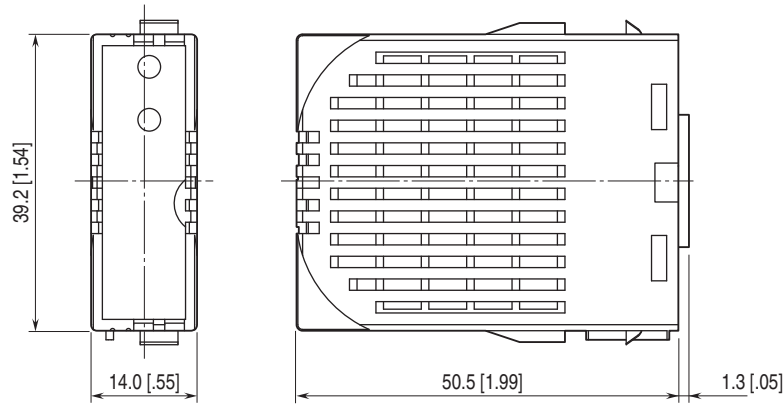
EMC Directive

EMI EN 61000-6-4

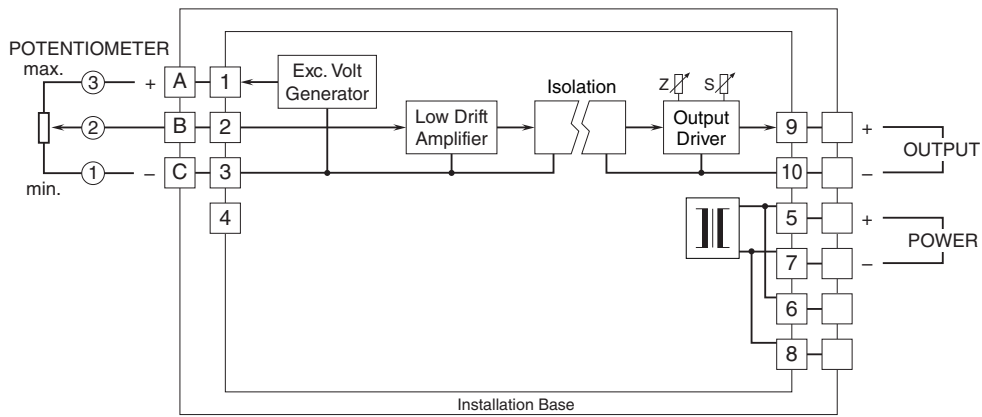
EMS EN 61000-6-2

RoHS Directive

EXTERNAL DIMENSIONS unit: mm [inch]



SCHEMATIC CIRCUITRY & CONNECTION DIAGRAM



Note: Use shielded cables for I/O wiring.



Specifications are subject to change without notice.