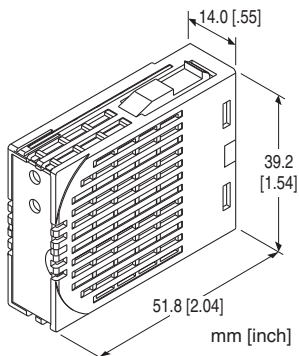


Super-mini Signal Conditioners M80 Series

CURRENT LOOP SUPPLY

Functions & Features

- Powering a 4 – 20 mA DC current loop
- Space-saving, easy to-maintain, multi-channel installation base
- Isolates between analog output channels of a PLC



MODEL: M80DY-A6-R

ORDERING INFORMATION

- Code number: M80DY-A6-R

INPUT

Current

A: 4 – 20 mA DC (Input resistance approx. 249 Ω)

OUTPUT

Voltage

6: 1 – 5 V DC (Load resistance 10 kΩ min.)

POWER INPUT

DC Power

R: 24 V DC

(Operational voltage range 24 V ±10 %, ripple 10 %p-p max.)

RELATED PRODUCTS

- Installation Base (model: M80BS-x1x-R)

This unit must be mounted on a dedicated base.

GENERAL SPECIFICATIONS

Construction: Plug-in

Housing material: Flame-resistant resin (gray)

Power supply: Via the Installation Base terminals (model: M80BS-x1x-R)

Isolation: Input to output to power

Zero adjustment: -5 to +5 % (front)

Span adjustment: 95 to 105 % (front)

SUPPLY OUTPUT

Output voltage: 22 – 32 V DC with no load

Current rating: ≤ 22 mA DC

- **Shortcircuit Protection**

Current limited: 30 mA max.

Protected time duration: ≤ 1 min.

INPUT SPECIFICATIONS

- **DC Current:** Input resistor incorporated

INSTALLATION

Current consumption: Approx. 80 mA

Operating temperature: -5 to +55°C (23 to 131°F)

Operating humidity: 5 to 95 %RH (non-condensing)

Mounting: Multi-channel Installation Base (model: M80BS-x1x-R)

Weight: 20 g (0.71 oz)

PERFORMANCE in percentage of span

Accuracy: ±0.1 %

Temp. coefficient: ±0.015 %/°C (±0.008 %/°F)

Response time: ≤ 15 msec. (0 – 90 %)

Line voltage effect: ±0.1 % over voltage range

Insulation resistance: ≥ 100 MΩ with 500 V DC

Dielectric strength: 1000 V AC @1 minute (input to output to power to ground)

STANDARDS & APPROVALS

EU conformity:

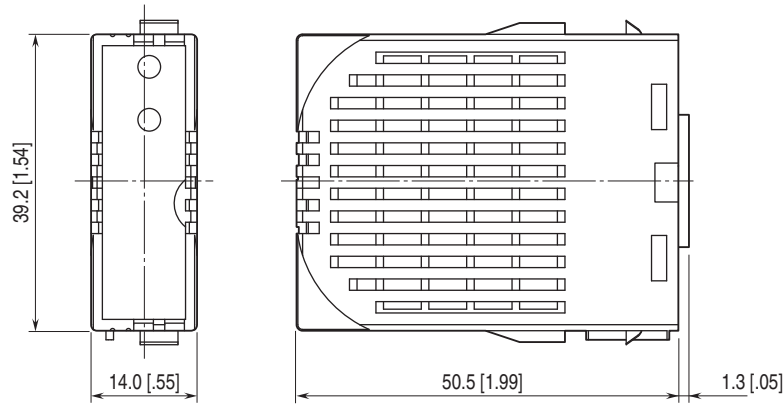
EMC Directive

EMI EN 61000-6-4

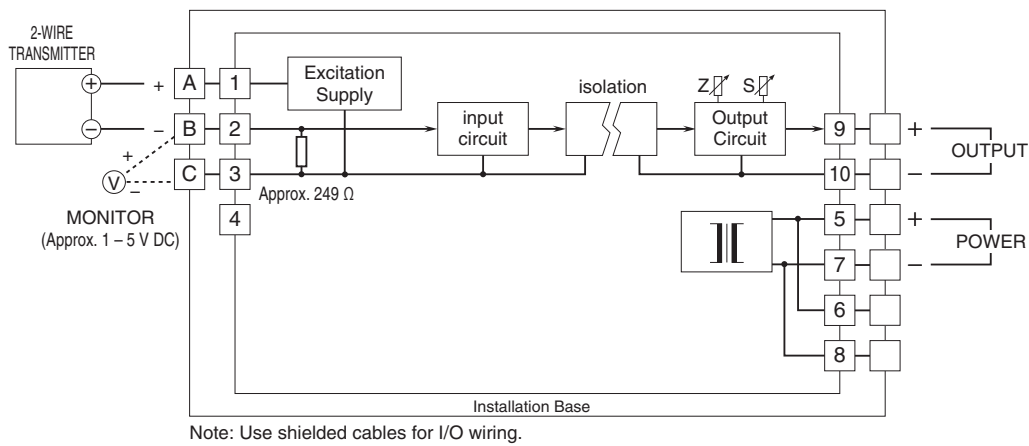
EMS EN 61000-6-2

RoHS Directive

EXTERNAL DIMENSIONS unit: mm [inch]



SCHEMATIC CIRCUITRY & CONNECTION DIAGRAM



Specifications are subject to change without notice.