

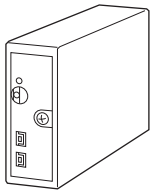
Dual Output Super-mini Signal Conditioners Pico-M Series

RTD CONVERTER

(PC programmable, CE)

Functions & Features

- Converts a wide variety of RTD input into two isolated, linearized process signals
- PC programmable
- Linearization
- Burnout protection
- User's temperature table can be used Space-saving, easy-to-maintain, multi-channel installation base



MODEL: M8XR3-[1][2]-R[3]

ORDERING INFORMATION

- Code number: M8XR3-[1][2]-R[3]

Specify a code from below for each of [1] through [3].

- (e.g. M8XR3-4V2V2-R/Q)
 - Input range (e.g. 0 – 500°C)
 - Output 1 / Output 2 (e.g. 1 – 5 V / 1 – 5 V DC)
- Input Code 4: Pt 100 (JIS '97, IEC) setting will be used if the input code is not specified. If no I/O specifications are specified, model M8XR3-4V2V2-R/Q will be shipped. For the input suffix code 0, use Ordering Information Sheet (No. ESU-5471).
- Specify the specification for option code /Q (e.g. /C01)

[1] INPUT RTD (2- or 3-wire)

- 1:** JPt 100 (JIS'89)
(Usable range: -200 to +500°C, -328 to +932°F)
- 3:** Pt 100 (JIS'89)
(Usable range: -200 to +850°C, -328 to +1562°F)
- 4:** Pt 100 (JIS'97, IEC)
(Usable range: -200 to +850°C, -328 to +1562°F)
- 5:** Pt 50 Ω (JIS'81)
(Usable range: -200 to +649 °C, -328 to +1200°F)
- 6:** Ni 508.4 Ω
(Usable range: -50 to +200°C, -58 to +392°F)
- 7:** Pt 1000
(Usable range: -200 to +200°C, -328 to +392°F)
- 8:** Ni 100

(Usable range: -50 to +200°C, -58 to +392°F)

9: Cu 10 @25°C

(Usable range: -50 to +200°C, -58 to +392°F)

0: Specify

Note: Consult us for 2-wire RTD

(Configurator software is used to change the input type and range.)

[2] OUTPUT 1 / OUTPUT 2

V2Z1: Range -10 – +10 V DC / Range 0 – 20 mA DC

V2V2: Range -10 – +10 V DC / Range -10 – +10 V DC

(Configurator software is used to change output over the described range of the selected suffix code.

For changing between suffix codes, set the Output Range Selector on the side of unit before software adjustment.)

POWER INPUT

DC Power

R: 24 V DC

(Operational voltage range 24 V ±10 %, ripple 10 %p-p max.)

[3] OPTIONS

blank: none

/Q: With options (specify the specification)

SPECIFICATIONS OF OPTION: Q

COATING (For the detail, refer to our web site.)

/C01: Silicone coating

/C02: Polyurethane coating

/C03: Rubber coating

RELATED PRODUCTS

- Installation Base or Single Mount Base Socket (model: M8BSx)

This unit must be mounted on dedicated base or socket.

- PC configurator software (model: JXCON)

Downloadable at our web site.

A dedicated cable is required to connect the module to the PC. Please refer to the internet software download site or the users manual for the PC configurator for applicable cable types.

GENERAL SPECIFICATIONS

Construction: Plug-in

Mounting screw: M3 screw (torque 0.3 N·m)

Housing material: Flame-resistant resin (black)

Power supply: Via the Installation Base terminals (model: M8BSx)

Isolation: Input to output 1 to output 2 to power

Overrange output: Approx. -15 to +115 %

Manual zero adjustments: -5 to +5 %

(factory setting: 0 %)

Manual span adjustments: 95 to 105 %

(factory setting: 100 %)

Programming: Downloaded from PC; RTD type, temp. range, output range, zero and span, simulating output, user's temperature table, linearization, etc.

Burnout protection: Upscale standard; downscale or no burnout optional by programming

Status indicator LED: Blinking patterns indicate different operating status of the transmitter.

Configurator connection: 2.5 dia. miniature jack;
RS-232-C level

Operating temperature: 0 to 55°C (32 to 131°F)

Operating humidity: 30 to 95 %RH (non-condensing)

Mounting: Installation Base (model: M8BSx)

Weight: 70 g (2.5 oz)

PERFORMANCE

Accuracy: Input accuracy + output accuracy
Inversely proportional to the span.

See HOW TO CALCULATE THE ACCURACY.

• **Input accuracy:** (% of input range)

JPt 100 (JIS '89) : ± 0.02 %

Pt 100 (JIS '89) : ± 0.02 %

Pt 100 (JIS '97, IEC) : ± 0.02 %

Pt 50 Ω (JIS '81) : ± 0.02 %

Ni 508.4 Ω : ± 0.02 %

Pt 1000 : ± 0.02 %

Ni 100 : ± 0.1 %

Cu 10 : ± 0.2 %

• **Output accuracy:** (% of output range)

-10 - +10 V : ± 0.02 %

0 - 20 mA : ± 0.04 %

Temp. coefficient: ± 0.015 %/°C (± 0.008 %/°F) of I/O range
at 0 to 55°C [32 to 131°F]

Response time: ≤ 0.9 sec. (0 - 90 %)

Burnout response: ≤ 10 sec.

Line voltage effect: ± 0.1 % over voltage range

Insulation resistance: ≥ 100 M Ω with 500 V DC

Dielectric strength:

1500 V AC @1 minute (input to output 1 or output 2 or
power to ground)

500 V AC @1 minute (output 1 to output 2 to power)

INPUT SPECIFICATIONS

Maximum leadwire resistance: 20 Ω per wire (3-wire)

Sensing current: ≤ 1.0 mA

If not specified, the input range is shown below.

1: JPt 100 (JIS '89) 0 - 100°C

3: Pt 100 (JIS '89) 0 - 100°C

4: Pt 100 (JIS '97, IEC) 0 - 100°C

5: Pt 50 Ω (JIS '81) 0 - 200°C

6: Ni 508.4 Ω 0 - 100°C

7: Pt 1000 0 - 100°C

8: Ni 100 0 - 100°C

9: Cu 10 @ 25°C 0 - 100°C

OUTPUT SPECIFICATIONS

■ **DC Current:** 0 - 20 mA DC

Operational range: 0 - 24 mA DC

Minimum span: 1 mA

Offset: Lower range can be any specific value within the
output range provided that the minimum span is
maintained.

Load resistance: Output drive 6 V max.

(e.g. 4 - 20 mA: 300 Ω [6 V \div 20 mA])

■ **DC Voltage:** -10 - +10 V DC

Operational range: -11.5 - +11.5 V DC

Minimum span: 1 V

Offset: Lower range can be any specific value within the
output range provided that the minimum span is
maintained.

Load resistance: Output drive 1 mA max.

(e.g. 1 - 5 V: 5000 Ω [5 V \div 1 mA])

If not specified, the output range is shown below.

V2Z1: 1 - 5 V / 4 - 20 mA DC

V2V2: 1 - 5 V / 1 - 5 V DC

INSTALLATION

Current consumption: Approx. 50 mA (70 mA for current
output)

HOW TO CALCULATE THE ACCURACY

■ Overall Accuracy

[Example] Pt 100, 0 - 700°C, 1 - 5 V output

Input Accuracy

$$\begin{aligned}
 &= \text{Max. Range} \div \text{Input Span} \times \text{Input Accuracy} \\
 &= 1050 \div 700 \times 0.02 \\
 &= 0.03
 \end{aligned}$$

Output Accuracy

$$\begin{aligned}
 &= \text{Max. Range} \div \text{Output Span} \times \text{Output Accuracy} \\
 &= 20 \div 4 \times 0.02 \\
 &= 0.1
 \end{aligned}$$

Overall Accuracy

$$\begin{aligned}
 &= 0.03 + 0.1 \\
 &= \pm 0.13 \%
 \end{aligned}$$

■ Accuracy with a User's Temperature Table

Custom input accuracy + output accuracy

(Inversely proportional to the span)

Input Accuracy:

$$(a) \Omega \div \text{Input Span} \times 100 \%$$

where (a) is 100mΩ or [Max. Range × 0.2 %], whichever is greater.

The accuracy applies only at the user's calibration points.

Data between each point is approximated with a linear line, thus is not applicable.

Output Accuracy: $\leq \pm 0.04 \%$

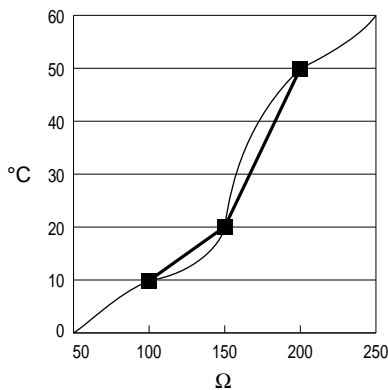
[Example] 100 - 200 Ω input, 1 - 5 V output

(a) is the greater value among: $200 \Omega \times 0.2 \% = 400 \text{ m}\Omega$, or 100 mΩ, thus 400 mΩ is selected.

$$\text{Input Accuracy} = 400 \text{ m}\Omega \div 100 \Omega \times 100 = 0.4$$

$$\text{Output Accuracy} = 20 \div 4 \times 0.04 = 0.2$$

$$\text{Overall Accuracy} = 0.4 + 0.2 = \pm 0.6 \%$$



Data Point
 Approximated Line Actual Line

STANDARDS & APPROVALS

EU conformity:

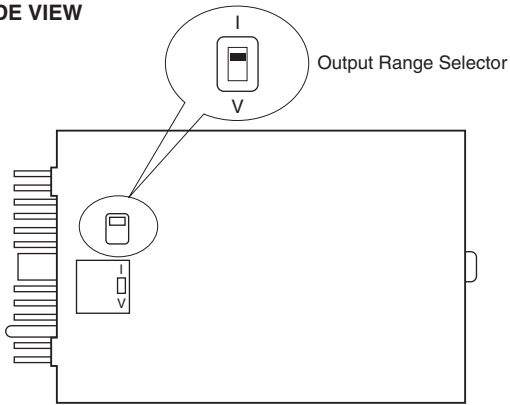
EMC Directive

EMI EN 61000-6-4

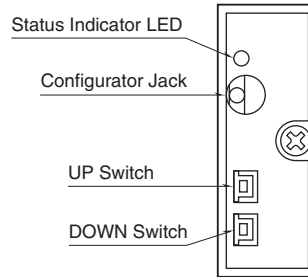
EMS EN 61000-6-2

EXTERNAL VIEWS

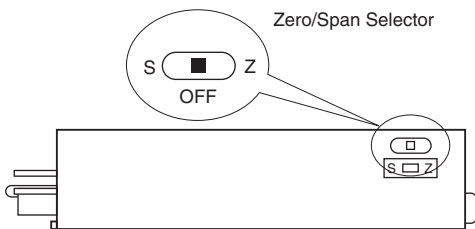
■ SIDE VIEW



■ FRONT VIEW



■ BOTTOM VIEW



Output Range Selector

(SW POSITION: RANGE)

I: V2Z1 (-10 - +10 V / 0 - 20 mA DC)

V: V2V2 (-10 - +10 V / -10 - +10 V DC)

Zero/Span Selector

(SW POSITION: MODE)

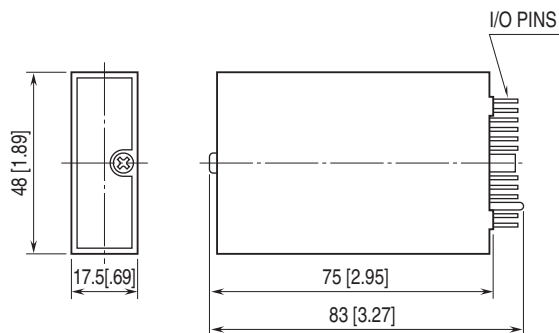
S: SPAN

Center: OFF

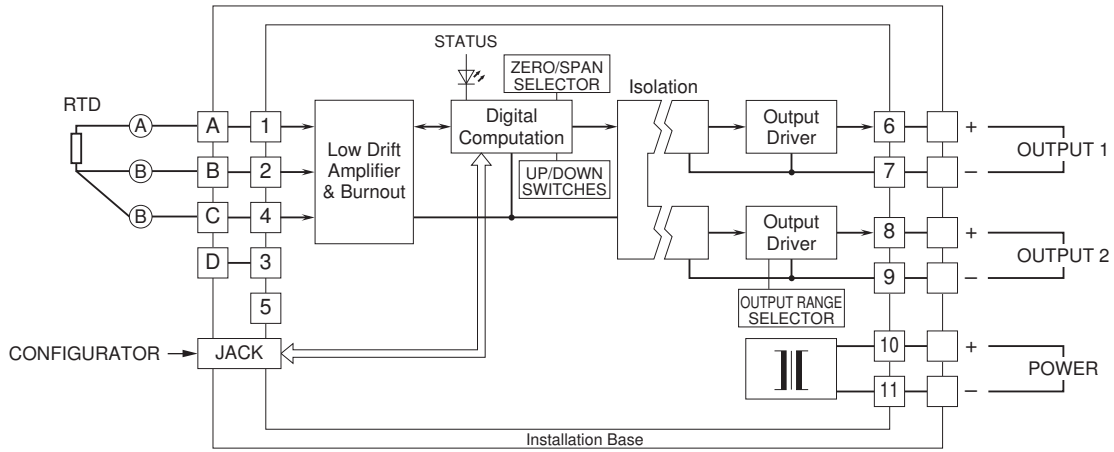
Z: ZERO

Zero/Span is calibrated by using UP/DOWN switches when the calibration mode is set. Refer to the instruction manual for detailed procedures.

EXTERNAL DIMENSIONS unit: mm [inch]



SCHEMATIC CIRCUITRY & CONNECTION DIAGRAM



Specifications are subject to change without notice.