

Dual Output Super-mini Signal Conditioners Pico-M Series

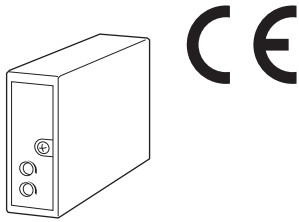
(Operational voltage range 24 V \pm 10 %, ripple 10 %p-p max.)

CURRENT LOOP SUPPLY

(CE)

Functions & Features

- Powering a 4 – 20 mA DC current loop
- Two isolated process signal outputs
- Space-saving, easy-to-maintain, multi-channel installation base



MODEL: M8DY1-[1][2]-R[3]

ORDERING INFORMATION

- Code number: M8DY1-[1][2]-R[3]

Specify a code from below for each of [1] through [3].

- (e.g. M8DY1-6A0-R)
- Specify the specification for option code /Q (e.g. /C01 /V01)

INPUT

Current

4 – 20 mA DC (Input resistance 250 Ω)

[1] OUTPUT 1 / OUTPUT 2

- 6A:** 1 – 5 V DC (Load resistance 2500 Ω min.)
/ 4 – 20 mA DC (Load resistance 300 Ω max.)
- 44:** 0 – 10 V DC (Load Resistance 5000 Ω min.)
/ 0 – 10 V DC (Load Resistance 5000 Ω min.)
- 55:** 0 – 5 V DC (Load resistance 2500 Ω min.)
/ 0 – 5 V DC (Load resistance 2500 Ω min.)
- 66:** 1 – 5 V DC (Load resistance 2500 Ω min.)
/ 1 – 5 V DC (Load resistance 2500 Ω min.)

[2] TRANSMITTER POWER SUPPLY SWITCH

0: Without

1: With

POWER INPUT

DC Power

R: 24 V DC

[3] OPTIONS

blank: none

/Q: With options (specify the specification)

SPECIFICATIONS OF OPTION: Q (multiple selections)

COATING (For the detail, refer to our web site.)

/C01: Silicone coating

/C02: Polyurethane coating

/C03: Rubber coating

ADJUSTMENT

/V01: Multi-turn fine adjustment

RELATED PRODUCTS

- Installation Base or Single Mount Base Socket (model: M8BSx)

This unit must be mounted on dedicated base or socket.

GENERAL SPECIFICATIONS

Construction: Plug-in

Mounting screw: M3 screw (torque 0.3 N·m)

Housing material: Flame-resistant resin (black)

Power supply: Via the Installation Base terminals (model: M8BSx)

Isolation: Input to output 1 to output 2 to power

Zero adjustment: -2 to +2 % (front)

Span adjustment: 98 to 102 % (front)

Transmitter power supply switch: Stops power supply at OFF (factory setting: ON)

SUPPLY OUTPUT

Output voltage: 24 – 28 V DC with no load

Current rating: \leq 22 mA DC

- Shortcircuit Protection

Current limited: 30 mA max.

Protected time duration: No limit

INPUT SPECIFICATIONS

- DC Current: Input resistor incorporated

INSTALLATION

Current consumption: Approx. 60 mA

Operating temperature: 0 to 55°C (32 to 131°F)

Operating humidity: 30 to 95 %RH (non-condensing)

Mounting: Installation Base (model: M8BSx)

Weight: 70 g (2.5 oz)

PERFORMANCE in percentage of span

Accuracy: $\pm 0.1\%$

Temp. coefficient: $\pm 0.02\%/^{\circ}\text{C}$ ($\pm 0.01\%/^{\circ}\text{F}$)

Response time: ≤ 15 msec. (0 - 90 %)

Line voltage effect: $\pm 0.1\%$ over voltage range

Insulation resistance: $\geq 100\text{ M}\Omega$ with 500 V DC

Dielectric strength:

1500 V AC @1 minute (input to output 1 or output 2 or power to ground)

500 V AC @1 minute (output 1 to output 2 to power)

SWC test: ANSI/IEEE-C37.90.1-1989

STANDARDS & APPROVALS

EU conformity:

EMC Directive

EMI EN 61000-6-4

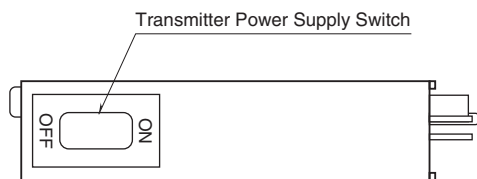
EMS EN 61000-6-2

RoHS Directive

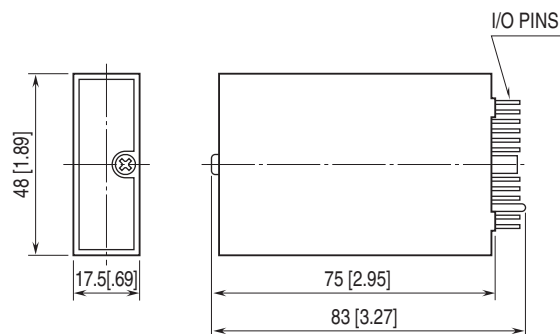
BOTTOM VIEW

• Transmitter Power Supply Switch

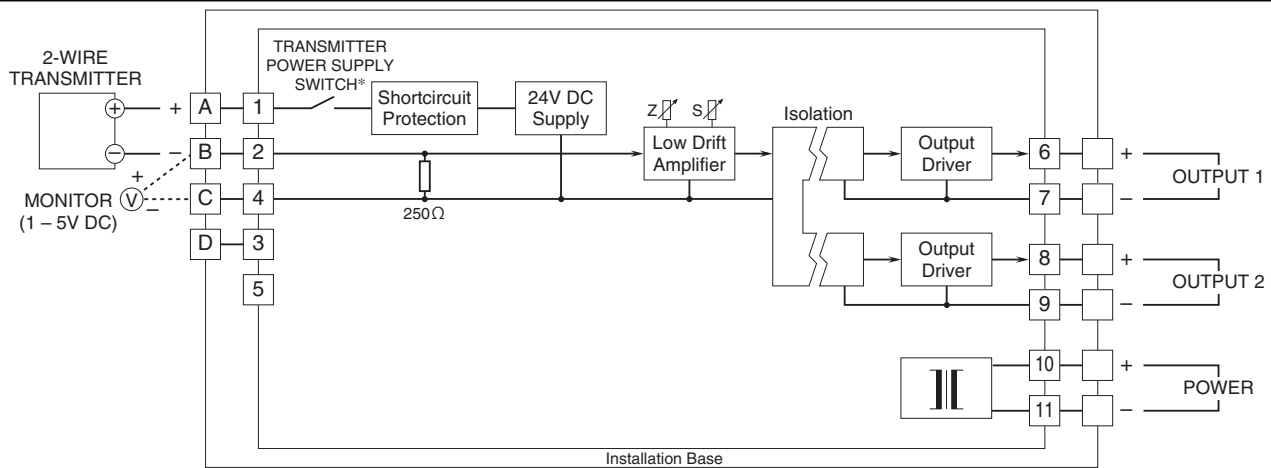
This switch is provided only when the option is specified in ordering. Turn the switch right for ON, left for OFF.



EXTERNAL DIMENSIONS unit: mm [inch]

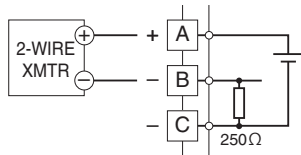


SCHEMATIC CIRCUITRY & CONNECTION DIAGRAM

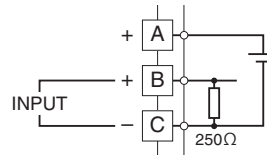


*Provided only when the option is selected.

■ When Used as DC Supply



■ When Used as Isolator



Specifications are subject to change without notice.