

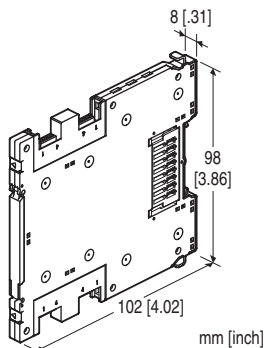
Base-free Interconnecting Ultra-Slim Signal Conditioners M60E Series

SIGNAL TRANSMITTER

(field-configurable, two isolated outputs)

Functions & Features

- Converts DC input from a sensor into a standard process signal
- Output range and response time selectable with DIP SW
- Power connector for interconnecting modules and collectively supplying power
- e-CON connector connection for easy wiring
- 6-mm wide ultra-slim design
- Low profile allows mounting in a 120-mm deep panel
- High-density mounting
- Power indicator LED



MODEL: M60EWVS-R[1]

ORDERING INFORMATION

- Code number: M60EWVS-R[1]
- Specify a code from below for [1].
(e.g. M60EWVS-R/Q)
- Specify the specification for option code /Q
(e.g. /C01)
 - Default at shipment
- Input range: 4 - 20 mA DC
Output 1 range: 4 - 20 mA DC
Output 2 range: 4 - 20 mA DC
Response time: Standard response

INPUT - Field-selectable

Current

4 - 20 mA DC (Input resistance 50 Ω)
0 - 20 mA DC (Input resistance 50 Ω)

Voltage

0 - 10 V DC (Input resistance 200 kΩ min.)
2 - 10 V DC (Input resistance 200 kΩ min.)
0 - 5 V DC (Input resistance 100 kΩ min.)
1 - 5 V DC (Input resistance 100 kΩ min.)

OUTPUT 1 - Field-selectable

Current

4 - 20 mA DC (Load resistance 300 Ω max.)
0 - 20 mA DC (Load resistance 300 Ω max.)

Voltage

0 - 5 V DC (Load resistance 5000 Ω min.)
1 - 5 V DC (Load resistance 5000 Ω min.)

OUTPUT 2 - Field-selectable

Current

4 - 20 mA DC (Load resistance 300 Ω max.)
0 - 20 mA DC (Load resistance 300 Ω max.)

Voltage

0 - 5 V DC (Load resistance 5000 Ω min.)
1 - 5 V DC (Load resistance 5000 Ω min.)

POWER INPUT

DC Power

R: 24 V DC
(Operational voltage range 24 V ±10 %, ripple 10 %p-p max.)

[1] OPTIONS

blank: none

/Q: Options other than the above (specify the specification)

SPECIFICATIONS OF OPTION: Q

COATING (For the detail, refer to M-System's web site.)

/C01: Silicone coating

/C02: Polyurethane coating

GENERAL SPECIFICATIONS

Connection

Input and output: 4-pin e-CON connector

Power input: Via the power connector or the 4-pin e-CON connector

PWB connector (M-System's product)

Recommended cable connector: XN2A-1470 (omron)

Applicable wire size: 0.08mm² (AWG28) to 0.5mm² (AWG20)

Outer sheath diameter: max. 1.5 dia

(The cable connector is not included in the package.

Refer to the specifications of the product.)

Housing material: Flame-resistant resin (black)

Isolation: Input to output 1 to output 2 to power

Zero adjustment: -2 to +2 % (front)

Span adjustment: 98 to 102 % (front)

Adjustable individually for each output 1 and output 2.

Power indicator LED: Green LED turns on when the power is supplied.

INPUT SPECIFICATIONS

■ **DC Current:** Input resistor incorporated

INSTALLATION

Power consumption: 0.7 W max.

Power input: 3 A (Total current consumed by the interconnected signal conditioners must be 3 A or less.)

Operating temperature: -20 to +55°C (-4 to +131°F)

Operating humidity: 30 to 90 %RH (non-condensing)

Atmosphere: No corrosive gas or heavy dust

Mounting: DIN rail

Weight: 65 g (2.3 oz)

PERFORMANCE in percentage of span

Accuracy: $\pm 0.1\%$

I/O setting accuracy: $\pm 0.2\%$

Temp. coefficient: $\pm 0.01\%/^{\circ}\text{C}$ ($\pm 0.006\%/^{\circ}\text{F}$)

Response time (0 - 90 %): selectable with DIP SW

Standard: ≤ 500 msec.

Fast: ≤ 5 msec.

Line voltage effect: $\pm 0.1\%$ over voltage range

Insulation resistance: $\geq 100\ \text{M}\Omega$ with 500 V DC

Dielectric strength: 1500 V AC @1 minute

(input to output 1 to output 2 to power to ground)

STANDARDS & APPROVALS

EU conformity:

EMC Directive

EMI EN 61000-6-4

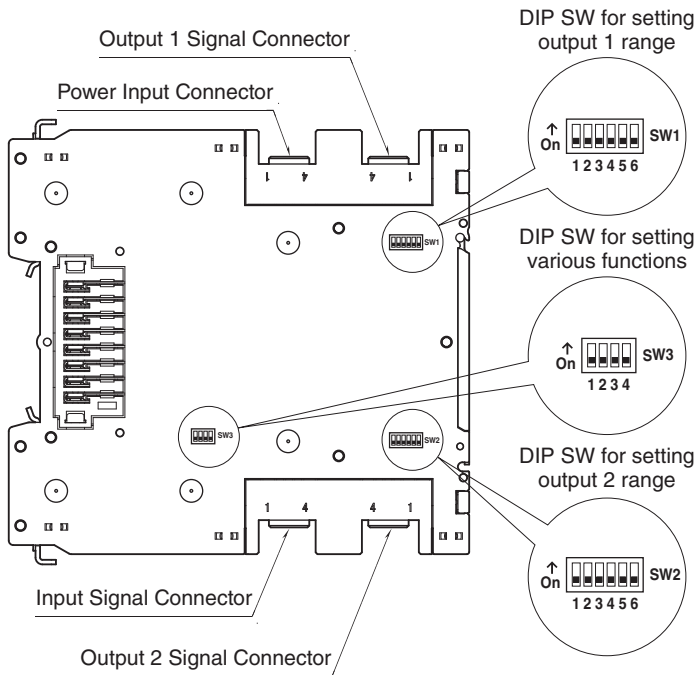
EMS EN 61000-6-2

RoHS Directive

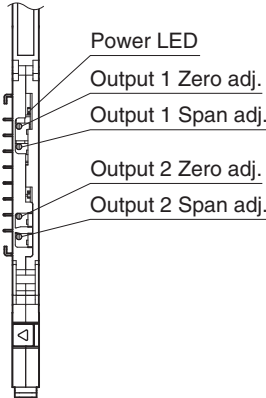
EXTERNAL VIEW

Refer to the instruction manual for the setting procedure.

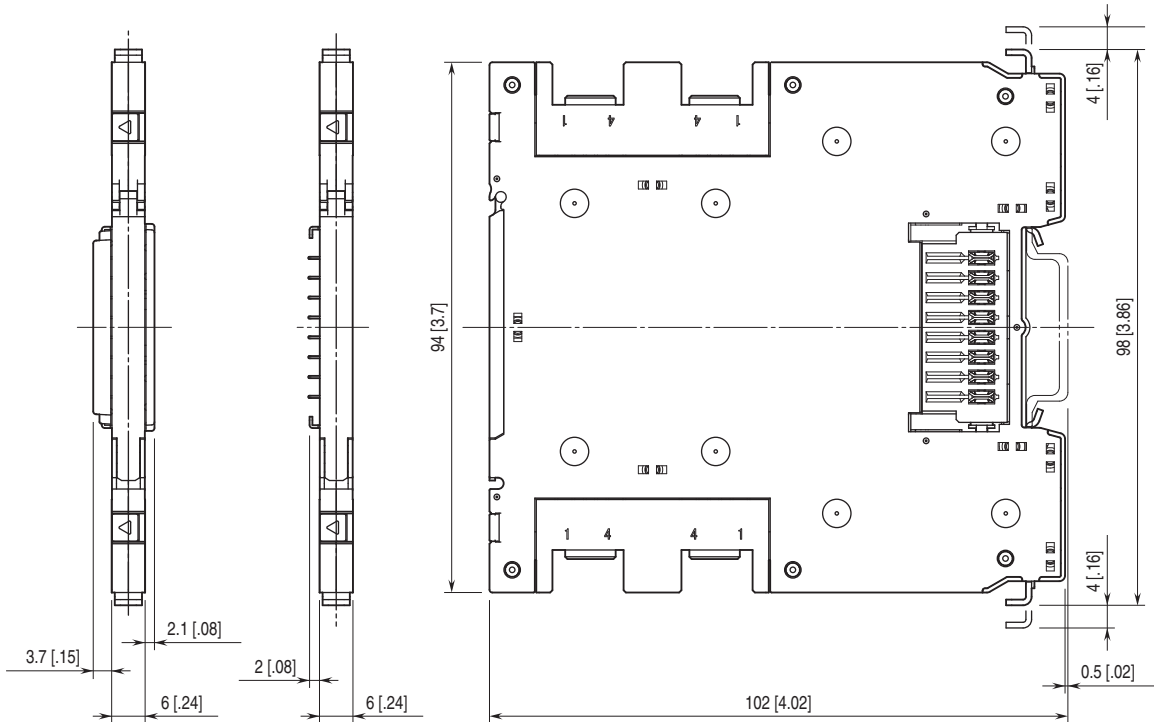
LEFT SIDE VIEW



FRONT VIEW (with the front cover removed)



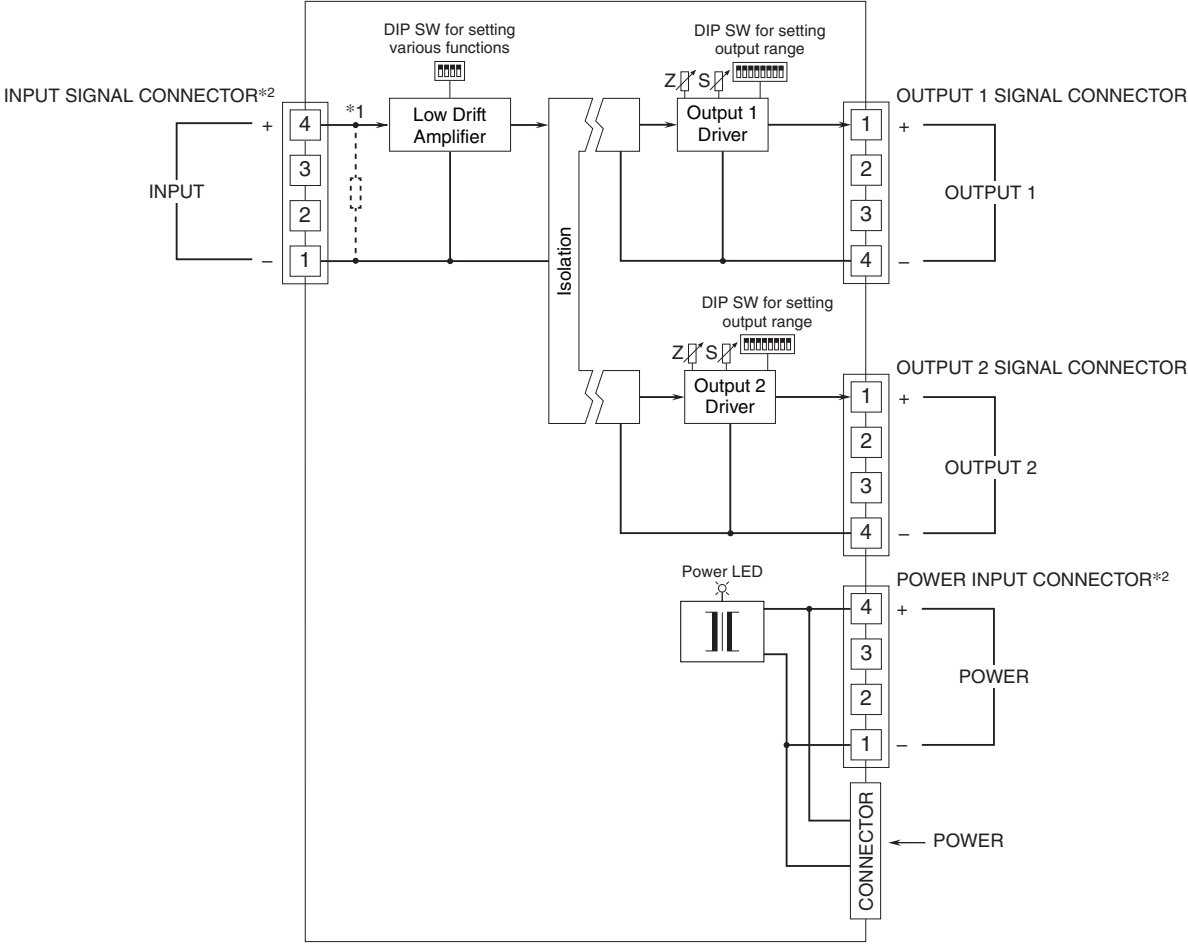
EXTERNAL DIMENSIONS & TERMINAL ASSIGNMENTS unit: mm [inch]




· With the end cover attached

· Capable of High-density mounting

SCHEMATIC CIRCUITRY & CONNECTION DIAGRAM



*1. Input shunt resistor incorporated for current input.
 *2. Confirm the direction of e-CON.

 Specifications are subject to change without notice.