

Super-mini Terminal Block Signal Conditioners M5X-UNIT

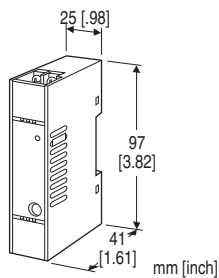
(Operational voltage range 24 V \pm 10 %, ripple 10 %p-p max.)

FREQUENCY TRANSMITTER

(PC programmable)

Functions & Features

- A super-mini terminal block signal conditioner that converts pulse input
- I/O settings are configurable with DIP switches or PC configurator software
- PC programmable
- High-density mounting
- Power LED



MODEL: M5XPA-1-R[1]

ORDERING INFORMATION

- Code number: M5XPA-1-R[1]
- Specify a code from below for [1].
(e.g. M5XPA-1-R/Q)
- Specify the specification for option code /Q
(e.g. /C01/S01/SET)

INPUT - Field-selectable

- Open collector
- Mechanical contact
- 5 V pulse
- 12 V pulse
- 24 V pulse

EXTERNAL INTERFACE

◆ OUTPUT SIGNAL

- 1: DC output (field-selectable)
- Current output: 0 - 20 mA DC
 - Voltage output: -5 - +5 V DC
 - Voltage output: -10 - +10 V DC

POWER INPUT

- DC Power
- R: 24 V DC

[1] OPTIONS

Other Options

blank: none

/Q: Option other than the above (specify the specification)

SPECIFICATIONS OF OPTION: Q

COATING (For the detail, refer to our web site.)

/C01: Silicone coating

/C02: Polyurethane coating

/C03: Rubber coating

TERMINAL SCREW MATERIAL

/S01: Stainless steel

EX-FACTORY SETTING

/SET: Preset according to the Ordering Information Sheet
(No. ESU-2772)

RELATED PRODUCTS

- PC Configurator cable (model: COP-US)
 - PC configurator software (model: M5CFG)
- Downloadable at our web site.

GENERAL SPECIFICATIONS

Construction: Terminal block

Connection: M3.5 screw terminals (torque 0.8 N·m)

Screw terminal: Nickel-plated steel (standard) or stainless steel

Housing material: Flame-resistant resin (black)

Isolation: Input to output to power

Chattering protection: Filter provided for mechanical contact input

Power indicator LED: Green LED; Blinking patterns indicate different operating status of the transmitter.

Setting and configurable items

Following items are configurable via PC.

COP-US is required.

- input type
- input range
- output range
- Output limit
- zero and span
- user's linearization table
- loop test
- Others

For detailed information, refer to the users manual for the PC configurator.

Configurator connection: 2.5 dia. miniature jack;
RS-232-C level

INPUT SPECIFICATIONS

Default setting

Open collector: 0 - 100 kHz

Frequency range: Select from below.

0 - 10 mHz, 0 - 100 mHz, 0 - 1 Hz, 0 - 10 Hz, 0 - 100 Hz, 0 - 1 kHz, 0 - 10 kHz, 0 - 100 kHz

(Mechanical contact 0 - 10 mHz, 0 - 100 mHz, 0 - 1 Hz, 0 - 10 Hz)

■ Open Collector

Pulse width time requirement: $\geq 4 \mu\text{sec.}$ for both ON and OFF

Sensing voltage/current: 3.3 V DC @ 3 mA

Detecting levels: $\leq 0.3 \text{ V} / 100 \Omega$ for ON; $\geq 2 \text{ V} / 10 \text{ k}\Omega$ for OFF

■ Mechanical Contact

Pulse width time requirement: $\geq 50 \text{ msec.}$ for both ON and OFF

Sensing voltage/current: 3.3 V DC @ 3 mA

Detecting levels: $\leq 0.3 \text{ V} / 100 \Omega$ for ON; $\geq 2 \text{ V} / 10 \text{ k}\Omega$ for OFF

■ Voltage Pulse

Pulse width time requirement: $\geq 4 \mu\text{sec.}$ for both H and L levels

Waveform: Square or sine

Input impedance: $\geq 10 \text{ k}\Omega$

Max. voltage between input terminals: $\pm 50 \text{ V}$

Detecting H level

5 V pulse: $\geq 2 \text{ V}$

12 V pulse: $\geq 5 \text{ V}$

24 V pulse: $\geq 10 \text{ V}$

Detecting L level

5 V pulse: $\leq 0.5 \text{ V}$

12 V pulse: $\leq 1.5 \text{ V}$

24 V pulse: $\leq 3 \text{ V}$

OUTPUT SPECIFICATIONS

Standard default setting: DC current output 4 - 20 mA

Output type

- DC current output: 0 - 20 mA DC
- DC voltage output: -10 - +10 V DC
- DC voltage output: -5 - +5 V DC

(3 types can be switched by DIP switch and PC)

■ DC Current: 0 - 20 mA DC

Output range: 0 - 23 mA DC

Minimum span: 1 mA

Load resistance: 550 Ω

■ DC Voltage

• **Output range -10 - +10 V DC**

Voltage range: -11.5 - +11.5 V DC

Minimum span: 1 V

Load resistance: Output drive 1 mA max.

(ex. 0 - 10 V DC: $10 \text{ V} \div 1 \text{ mA} = 10 \text{ k}\Omega$)

• **Output range -5 - +5 V DC**

Voltage range: -5.75 - +5.75 V DC

Minimum span: 500 mV

Load resistance: Output drive 1 mA max.

(ex. 1 - 5 V DC: $5 \text{ V} \div 1 \text{ mA} = 5000 \Omega$)

INSTALLATION

Power consumption: $\leq 1 \text{ W}$

Operating temperature: -20 to +65°C (-4 to +149°F)

Operating humidity: 30 to 90 %RH (non-condensing)

Atmosphere: No corrosive gas or heavy dust

Mounting: DIN rail

Weight: 80 g (2.8 oz)

PERFORMANCE in percentage of span

Input accuracy (% of max. input range): $\pm 0.1 \%$

Output accuracy (% of max. output range): $\pm 0.02 \%$
(± 0.04 for current output)

Temp. coefficient: $\pm 0.0075 \%$ /°C ($\pm 0.004 \%$ /°F) of max. span

Response time: 0.5 sec. + 1 pulse cycle (0 - 90 %)

Line voltage effect: $\pm 0.1 \%$ over voltage range

Insulation resistance: $\geq 100 \text{ M}\Omega$ with 500 V DC

Dielectric strength: 2000 V AC @ 1 minute (input to output to power to ground)

ACCURACY AND CALCULATION EXAMPLES

■ Overall Accuracy

The accuracy includes input accuracy, which converts the sensor input into a digital value, and output accuracy, which converts the digital value into an analog signal.

The accuracy of the device is the total of the input accuracy and the output accuracy

Input accuracy

Input accuracy for the setting value span is shown as following formula.

Input accuracy = (input range \div input setting value span) \times 0.1%

Output accuracy

Output accuracy for the setting value span is shown as following formula.

Output accuracy = (output range \div output setting value span) \times 0.02%

For current output,

Output accuracy = (output range \div output setting value span) \times 0.04%

Calculation examples

Input: input range 0 - 100 kHz, input setting value span: 50 - 100 kHz

Output: output range 0 - 20 mA, output setting value span 4 - 20 mA

Input accuracy = $(100 \text{ kHz} \div 50 \text{ kHz}) \times 0.1\% = 0.2\%$
 Output accuracy = $(20 \text{ mA} \div 16 \text{ mA}) \times 0.04\% = 0.05\%$
 Accuracy = input accuracy 0.2% + output accuracy 0.05%
 = 0.25%

STANDARDS & APPROVALS

EU conformity:

EMC Directive

EMI EN 61000-6-4

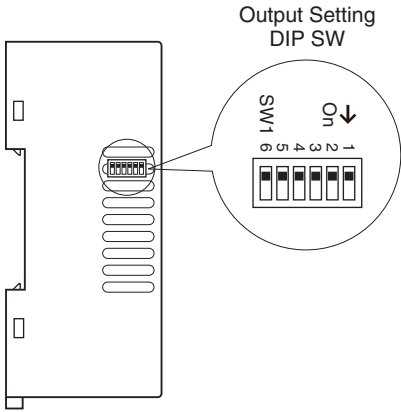
EMS EN 61000-6-2

RoHS Directive

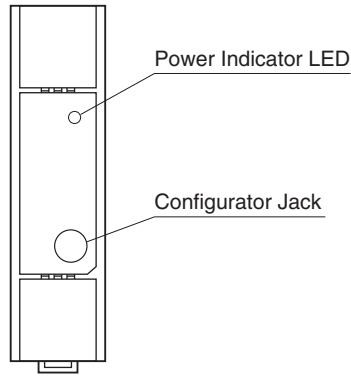
EXTERNAL VIEW

Refer to the instruction manual for the setting procedure.

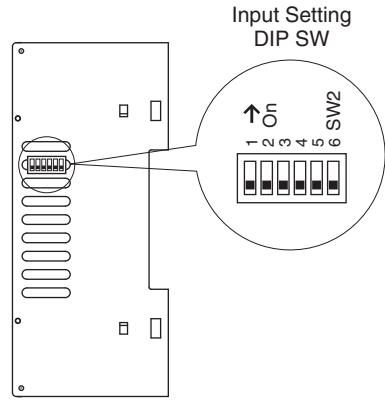
LEFT VIEW



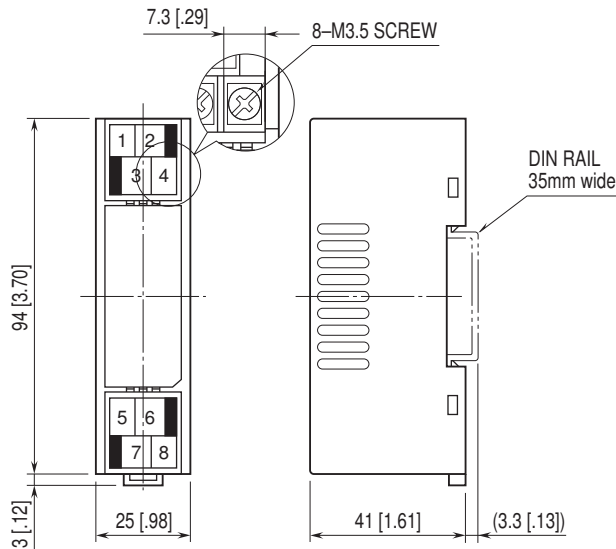
FRONT VIEW



RIGHT VIEW

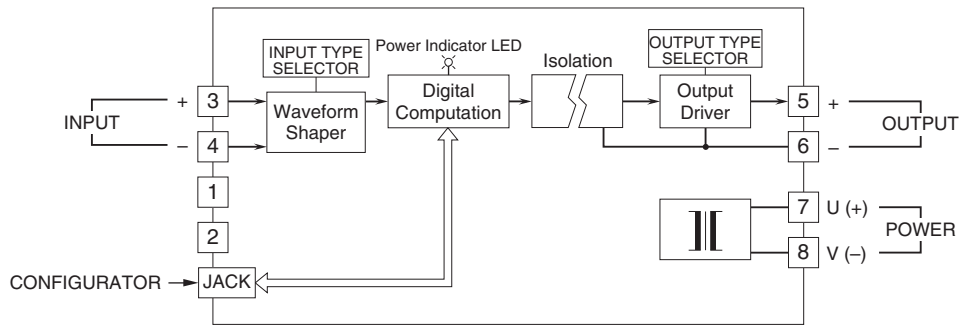


EXTERNAL DIMENSIONS & TERMINAL ASSIGNMENTS unit: mm [inch]



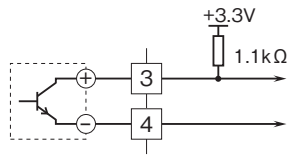
• When mounting, no extra space is needed between units.

SCHEMATIC CIRCUITRY & CONNECTION DIAGRAM

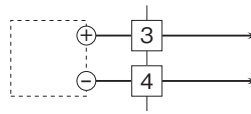


Input Connection Examples

■ Open Collector or Mechanical Contact



■ Voltage Pulse



Specifications are subject to change without notice.