

## POTENTIOMETER TRANSMITTER (PC programmable)

MODEL **M2XM2**

### BEFORE USE ....

Thank you for choosing us. Before use, please check contents of the package you received as outlined below.

If you have any problems or questions with the product, please contact our sales office or representatives.

#### ■ PACKAGE INCLUDES:

Signal conditioner (body + base socket).....(1)

#### ■ MODEL NO.

Confirm Model No. marking on the product to be exactly what you ordered.

#### ■ INSTRUCTION MANUAL

This manual describes necessary points of caution when you use this product, including installation, connection and basic maintenance procedures.

The unit is programmable using the PC Configurator Software. For detailed information on the PC configuration, refer to the JXCON users manual. The JXCON PC Configurator Software is downloadable at our web site.

### POINTS OF CAUTION

#### ■ NONINCENDIVE APPROVAL OPTION

- This equipment is suitable for use in Class I, Div. 2, Groups A, B, C and D or Non-Hazardous Locations only.
- **WARNING!** Before You Remove the Unit from Its Base Socket or Mount It, Turn Off the Power Supply and Input Signal for Safety.
- **WARNING!** – Explosion Hazard – Substitution of Components May Impair Suitability for Class I, Div. 2.
- **WARNING!** – Explosion Hazard – Do Not Disconnect Equipment Unless Power Has Been Switched Off or The Area is Known To Be Non-Hazardous.
- The equipment was evaluated for use in the ambient temperature and relative humidity as mentioned in 'ENVIRONMENT' section.
- The input and output wiring must be in accordance with Class I, Div. 2 wiring methods and in accordance with the authority having jurisdiction for use in these hazardous locations.

#### ■ CONFORMITY WITH EU DIRECTIVES OR UL

- This equipment is suitable for Pollution Degree 2 and Installation Category II (transient voltage 2500V). Reinforced insulation (signal input or output to power input: 300V) and basic insulation (signal input to output: 300V) are maintained. Prior to installation, check that the insulation class of this unit satisfies the system requirements.
- The equipment must be mounted inside a suitable fire enclosure.
- Altitude up to 2000 meters.
- The equipment must be mounted inside a panel.
- Risk of Electrical Shock: The front cover of the panel is to be opened only by qualified service personnel.

- The equipment must be installed such that appropriate clearance and creepage distances are maintained to conform to CE/UL requirements. Failure to observe these requirements may invalidate the CE/UL conformance.
- The actual installation environments such as panel configurations, connected devices, connected wires, may affect the protection level of this unit when it is integrated in a panel system. The user may have to review the CE requirements in regard to the whole system and employ additional protective measures\* to ensure the CE conformity.
  - \* For example, installation of noise filters and clamp filters for the power source, input and output connected to the unit, etc.
- Install lightning surge protectors for those wires connected to remote locations.

#### ■ POWER INPUT RATING & OPERATIONAL RANGE

- Locate the power input rating marked on the product and confirm its operational range as indicated below:
  - 100 – 240V AC rating: 85 – 264V (90 – 264V for UL), 47 – 66 Hz, approx. 3 – 5VA
  - 24V DC rating: 24V ±10%, approx. 2W
  - 110V DC rating: 85 – 150V (110V ±10% for UL), approx. 2W

#### ■ WARNING!

- To protect very delicate components contained inside the unit against damage from static electricity, wear a grounded wrist strap when handling them. If you do not have one, touch both of your hands to a safely grounded object or to a metal object.
- Ensure that the power supply and input signal are switched off before you plug in or remove the unit.

#### ■ ENVIRONMENT

- Indoor use.
- When heavy dust or metal particles are present in the air, install the unit inside proper housing with sufficient ventilation.
- Do not install the unit where it is subjected to continuous vibration. Do not subject the unit to physical impact.
- Environmental temperature must be within -30 to +60°C (-22 to +140°F) with relative humidity within 30 to 90% RH in order to ensure adequate life span and operation.
- Be sure that the ventilation slits are not covered with cables, etc.

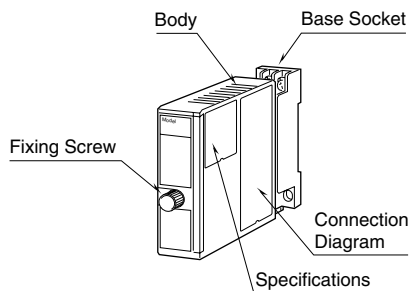
#### ■ WIRING

- Do not install cables close to noise sources (relay drive cable, high frequency line, etc.).
- Do not bind these cables together with those in which noises are present. Do not install them in the same duct.

#### ■ AND ....

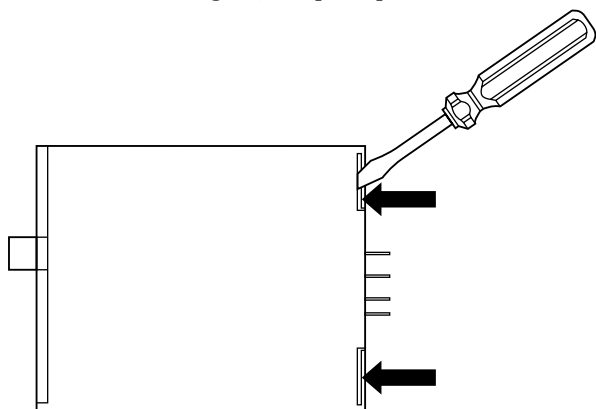
- The unit is designed to function as soon as power is supplied, however, a warm up for 20 minutes is required for satisfying complete performance described in the data sheet.

## COMPONENT IDENTIFICATION



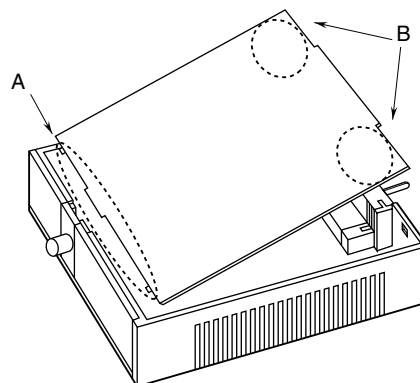
### HOW TO OPEN THE LEFT SIDE COVER

Insert the tip of a minus driver into the openings indicated with arrows in the figure, and pull up the cover.



### HOW TO CLOSE THE LEFT SIDE COVER

Place the side A first and push in the parts B, gently not to break the enclosure.

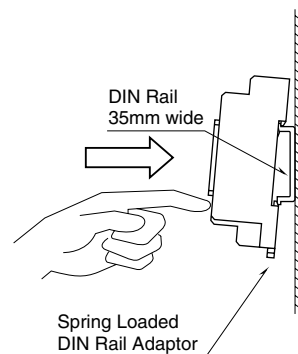


## INSTALLATION

Loosen the fixing screw at the front of the unit in order to separate the body from the base socket.

### DIN RAIL MOUNTING

Set the base socket so that its DIN rail adaptor is at the bottom. Position the upper hook at the rear side of base socket on the DIN rail and push in the lower. When removing the socket, push down the DIN rail adaptor utilizing a minus screwdriver and pull.



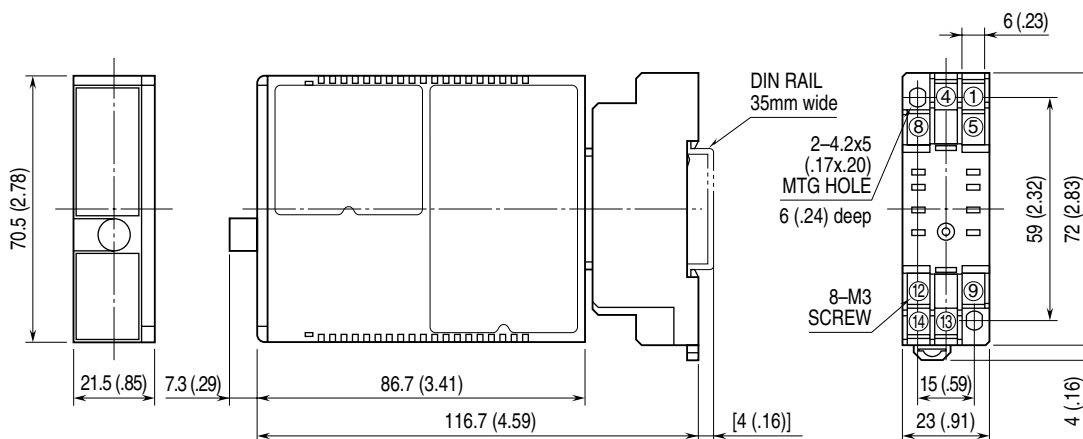
### WALL MOUNTING

Refer to "EXTERNAL DIMENSIONS."

## TERMINAL CONNECTIONS

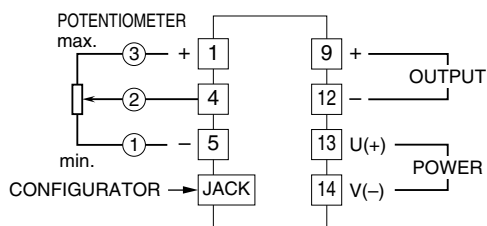
Connect the unit as in the diagram below or refer to the connection diagram on the side of the unit.

### EXTERNAL DIMENSIONS unit: mm (inch)



• When mounting, no extra space is needed between units.

## CONNECTION DIAGRAM



## WIRING INSTRUCTIONS

### SCREW TERMINAL

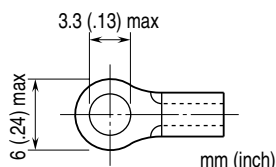
Torque: 0.8 N·m

### SOLDERLESS TERMINAL

Refer to the drawing below for recommended ring tongue terminal size. Spade tongue type is also applicable.

Applicable wire size: 0.25 to 1.65 mm<sup>2</sup> (AWG 22 to 16)

Recommended manufacturer: Japan Solderless Terminal MFG.Co.Ltd, Nichifu Co.,Ltd



## CHECKING

- 1) Terminal wiring: Check that all cables are correctly connected according to the connection diagram.
- 2) Output range selectors: Check that the switches are at the appropriate positions according to the output range model suffix code.
- 3) Power input voltage: Check voltage across the terminal 13 – 14 with a multimeter.
- 4) Input: Check voltage across the terminal 4(+) – 5(-) with a voltmeter to show 0V at the minimum potentiometer input (0Ω) and the same voltage as that across 1(+) – 5(-) at the maximum input.  
If the potentiometer wires are broken, the output goes over 100% (below 0% with downscale) due to the burnout function. Confirm the status indicator LED pattern and check leadwires in such a case.
- 5) Output: Check that the load resistance meets the described specifications.
- 6) Status indicator LED: Check that it blinks in a regular pattern.

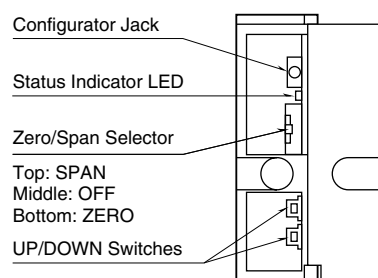
## ZERO/SPAN ADJUSTMENTS

This unit is calibrated at the factory to meet the ordered specifications, therefore you usually do not need any calibration.

For matching the signal to a receiving instrument or in case of regular calibration, fine zero and span adjustments can be done to ±5% by pressing UP/DOWN switches enabled with the zero/span selector switch. Calibrated values are stored in the non-volatile memory, which will not be lost even when you turn off power supply to the unit.

Zero and span are respectively set to 0% and 100% at the factory.

### FRONT VIEW (with cover open)



The front cover cannot be turned open by 180 deg. when there is no extra space between units.

### Zero/Span Selector

**ZERO:** UP/DOWN switches usable for zero adjustment.

**OFF:** UP/DOWN switches unavailable.

**SPAN:** UP/DOWN switches usable for span adjustment.

### UP/DOWN Switches

**UP:** Pressing UP increases adjusted values.

**DOWN:** Pressing DOWN decreases adjusted values.

### HOW TO CALIBRATE THE ZERO

Slide the Zero/Span Selector to the bottom position and press UP or DOWN switch. Incrementing speed will be doubled when you keep pressing a switch.

### HOW TO CALIBRATE THE SPAN

Slide the Zero/Span Selector to the top position and press UP or DOWN switch. Incrementing speed will be doubled when you keep pressing a switch.

### HOW TO RESET

After you calibrated manually with these switches, you can reset them to its ex-factory state by pressing both UP/DOWN switches at once.

### ADJUSTMENT PROCEDURE

Use a signal source and measuring instruments of sufficient accuracy level. Turn the power supply on and warm up for more than 20 minutes.

- 1) ZERO: Apply 0% input. Slide the Zero/Span Selector to the bottom position. Press UP or DOWN switch and adjust output to 0%.
- 2) SPAN: Apply 100% input. Slide the Zero/Span Selector to the top position. Press UP or DOWN switch and adjust output to 100%.
- 3) Check ZERO adjustment again with 0% input.
- 4) The ZERO and SPAN adjustments are processed in a digital processor, and therefore they do not interact. However, if ZERO value is changed, repeat the above procedure 1) – 3).

**HOW TO CAPTURE POTENTIOMETER'S ZERO/SPAN**

Particular positions of the potentiometer can be captured (stored in memory) as ZERO (0%) or SPAN (100%) points by manipulating Zero/Span Selector and UP/DOWN switches.

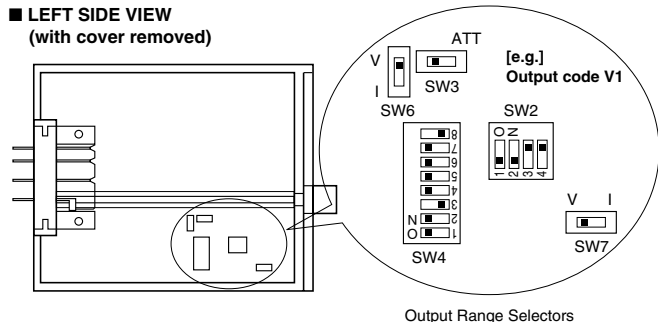
**ZERO:** Press DOWN switch and maintain. Switch the Zero/ Span Selector to the bottom position and let go the DOWN switch. Check that the status indicator LED which was blinking has turned ON. Return the Zero/Span Selector to the middle position. The status indicator LED starts blinking again.

**SPAN:** Press DOWN switch and maintain. Switch the Zero/Span Selector to the top position and let go the DOWN switch. Check that the status indicator LED which was blinking has turned ON. Return the Zero/Span Selector to the middle position. The status indicator LED starts blinking again.

**I/O RANGE MODIFICATION**

Configurator Software is used to change input range. Output ranges can be changed over the described range of the selected suffix code with the Configurator Software. For changing out of this range, set the Output Range Selectors before software adjustment.

**LEFT SIDE VIEW (with cover removed)**



**Output range selectors**

	SW2				SW3
	1	2	3	4	
V1	OFF	OFF	ON	ON	Not ATT
V2	OFF	OFF	ON	ON	Not ATT
Z1	ON	ON	OFF	OFF	Not ATT

	SW4							
	1	2	3	4	5	6	7	8
V1	ON	ON	OFF	ON	ON	*	ON	OFF
V2	ON	OFF	ON	OFF	ON	*	ON	OFF
Z1	OFF	OFF	ON	OFF	OFF	OFF	OFF	OFF

	SW6		SW7	
	V	I	V	I
V1	ON	OFF	ON	OFF
V2	ON	OFF	ON	OFF
Z1	OFF	ON	OFF	ON

\* ON/OFF position is irrelevant.

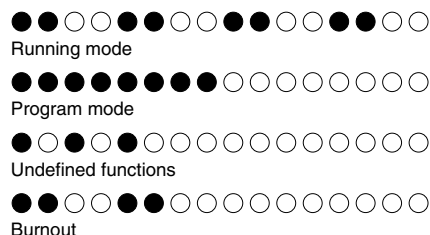
**STATUS INDICATOR LED**

The M2XM2 is provided with a status indicator LED which blinks in different patterns indicating various status of its CPU.

When it is functioning within normal parameters, the LED blinks in a regular pattern of ON and OFF.

When the unit is in an abnormality, it blinks in particular patterns repeating approximately in 1.3 seconds.

The following figure indicates typical patterns. A white circle means that the light is OFF for 80 millise., while a black one means ON for 80 millise.



**MAINTENANCE**

Regular calibration procedure is explained below:

**CALIBRATION**

Warm up the unit for at least 20 minutes. Apply 0%, 25%, 50%, 75% and 100% input signal. Check that the output signal for the respective input signal remains within accuracy described in the data sheet. When the output is out of tolerance, recalibrate the unit according to the "ZERO/SPAN ADJUSTMENTS" explained earlier.

**LIGHTNING SURGE PROTECTION**

We offer a series of lightning surge protector for protection against induced lightning surges. Please contact us to choose appropriate models.