

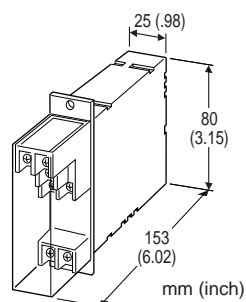
## Lightning Surge Protectors for Electronics Equipment M-RESTER

### LIGHTNING SURGE PROTECTOR FOR STANDARD SIGNAL LINE & PULSE USE

(24 V DC; rack mounted)

#### Functions & Features

- Designed specifically for 4 - 20 mA DC and pulse signal line including both 4-wire and 2-wire transmitters
- Absorbing surges only without affecting instrumentation signal
- Rack-mounted
- Two channels in one housing



## MODEL: MGD-24

### ORDERING INFORMATION

- Code number: MGD-24

### GENERAL SPECIFICATIONS

**Construction:** Rack-mounted; terminal access via screw terminals at the front; terminal cover provided

**Connection:** M3.5 screw terminals (torque 0.8 N·m)

**Screw terminal:** Nickel-plated steel

**Housing material:** Flame-resistant resin (black)

### INSTALLATION

**Operating temperature:** -5 to +55°C (23 to 131°F)

**Operating humidity:** 30 to 90 %RH (non-condensing)

**Mounting:** Rack-mounted; Standard Rack Mounting Frame BX-16G available

**Weight:** 200 g (0.44 lbs)

### PERFORMANCE

**Discharge voltage (peak voltage)**

Line to line: 30 V min.

Line to ground: ±500 V max.

**Max. surge voltage**

Line to line: 40 V max.

Line to ground: ±650 V max.

(The maximum voltage that could pass through the surge protector. Protected equipment must be able to withstand this voltage for a very short time period.)

**Response time:** ≤ 0.1 μsec.

**Leakage current:**

Line to line: ≤ 5 μA @ 30 V DC

Line to ground: ≤ 5 μA @ ±140 V DC

**Max. discharge current (I<sub>max</sub>):** 1000 A (8/ 20 μsec.)

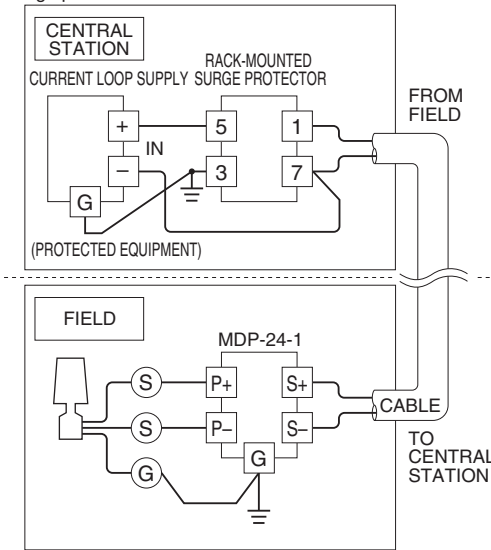
**Max. load current:** 100 mA

**Internal series resistance:** Approx. 20 Ω including return

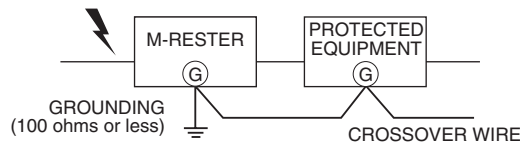
**Maximum line voltage:** 30 V

## CONNECTION EXAMPLES

Connection example with Ch.1 of rack-mounted surge protector and model MDP-24-1/65-1.

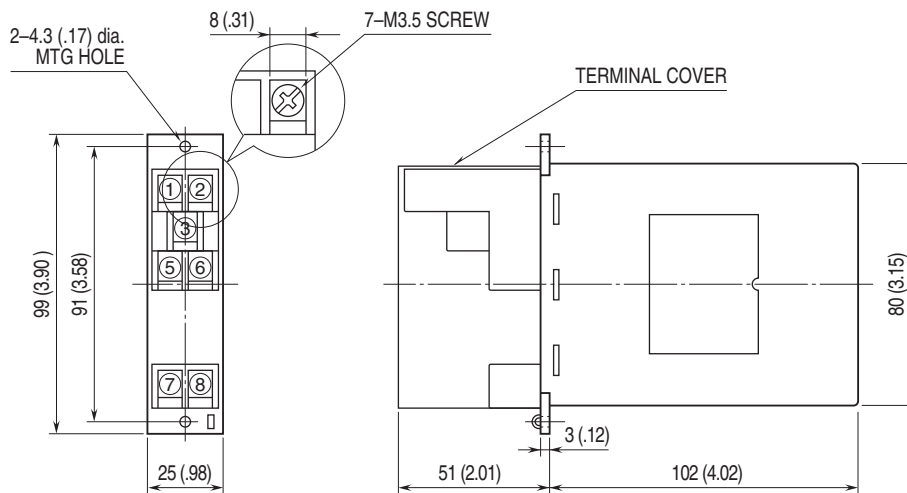


## GROUNDING



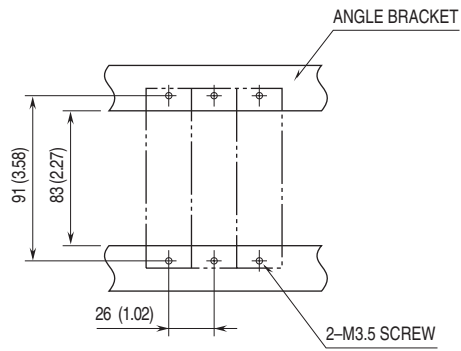
A crossover wire between M-RESTER ground and ground or metallic housing of equipment is required for protection. If the protected equipment has no ground terminal, ground the M-RESTER only.

## EXTERNAL DIMENSIONS & TERMINAL ASSIGNMENTS unit: mm (inch)

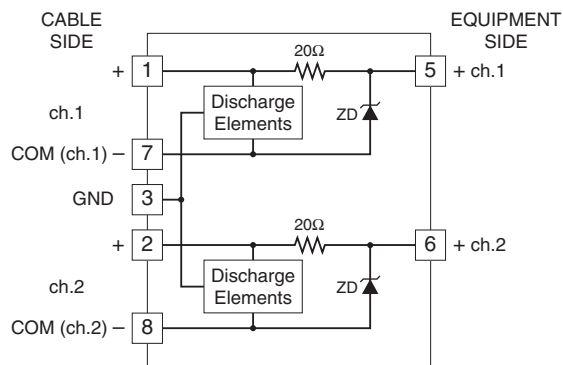


•When mounting, no extra space is needed between units.

## MOUNTING REQUIREMENTS unit: mm (inch)



## SCHEMATIC CIRCUITRY



Specifications are subject to change without notice.