

LIGHTNING SURGE PROTECTOR FOR STANDARD SIGNAL LINE (ultra-slim)	MODEL MD7ST
--	--------------------

BEFORE USE

Thank you for choosing M-System. Before use, please check contents of the package you received as outlined below. If you have any problems or questions with the product, please contact M-System's Sales Office or representatives.

■ PACKAGE INCLUDES:

Surge protector.....(1)

■ MODEL NO.

Confirm Model No. marking on the product to be exactly what you ordered.

■ INSTRUCTION MANUAL

This manual describes necessary points of caution when you use this product, including installation, connection and basic maintenance procedures.

When using this product in potentially explosive atmosphere or hazardous (classified) location, you have to follow the safety procedure to install it. Please refer to "SAFE INSTALLATION MANUAL" for each type of certification.

LIMITATION APPLICABLE TO M-RESTER

The M-RESTER will protect electronics equipment from damage caused by lightning by absorbing most of the surge voltages.

However, M-RESTER may not be effective against certain extremely high voltages caused by a direct or almost direct hit by lightning.

M-RESTER must be installed according to this installation / instruction manual.

GENERAL

■ FUNCTION & FEATURES

- High discharge current capacity 20 kA (8 / 20 μs), 1 kA (10 / 350 μs)
- Ultra-thin 7-mm-wide module can be mounted in high density
- Excellent protection employing multi-stage SPD circuits
- DIN rail mounting and grounding
- Shield terminal provided

■ SPECIFICATIONS

See Table 1.

Table 1. Specifications

MODEL NO.	NOMINAL VOLTAGE	MD7ST-24				MD7ST-60			
	SHLD TERMINAL	FF	FG	GF	GG	FF	FG	GF	GG
Max. continuous operating voltage (Uc)	Line to Line	30V				70V			
	Line to Earth	±160V			30V	±160V			70V
	Line to SHLD	±160V		30V		±160V		70V	
	SHLD to Earth	±160V	short	±160V	short	±160V	short	±160V	short
Voltage protection level (Up) @4kV (1.2 / 50 μs)	Line to Line	60V				115V			
	Line to Earth	±800V			±60V	±800V			±115V
	Line to SHLD	±1200V	±800V	±60V		±1200V	±800V	±115V	
	SHLD to Earth	±800V	short	±800V	short	±800V	short	±800V	short
Leakage current @Uc	Line to Line	≤5μA				≤5μA			
	Other sections	≤5μA				≤5μA			
Response time	Line to Line	≤4 nsec.				≤4 nsec.			
	Other sections	≤20 nsec.				≤20 nsec.			
Max. discharge current (Imax)	20kA (8 / 20 μs), 1.0kA (10 / 350 μs)								
Nominal current (In)	250mA								
Internal series resistance	Without fuse	4.7Ω ±10% per line				10Ω ±10% per line			
	With fuse	7.5Ω ±10% per line				12.5Ω ±10% per line			

POINTS OF CAUTION

■ ENVIRONMENT

- Indoor use.
- When heavy dust or metal particles are present in the air, install the unit inside proper housing with sufficient ventilation.
- Do not install the unit where it is subjected to continuous vibration. Do not subject the unit to physical impact.
- Environmental temperature must be within -25 to +85°C (-13 to +185°F) with relative humidity within 30 to 90% RH in order to ensure adequate life span and operation.
- This unit needs a DIN rail as earth grounding bar. Oxide coating of an aluminium rail may lower the electric conductivity between this module and the ground. Use a steel or copper rail.

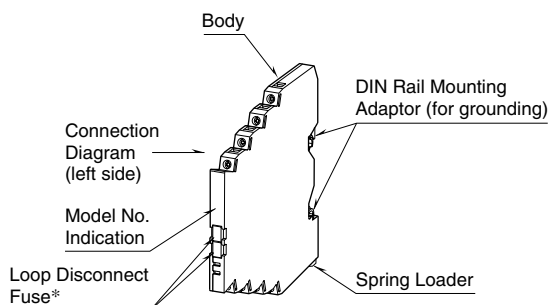
■ DIELECTRIC STRENGTH TESTING

- The surge protector starts discharging when 160V or greater voltage (with floating shield type) or several volts (with grounding shield type) is applied between lines and earth. Remove the grounding wire before conducting a test. Be sure to return the wire after the test.

■ AND

- We recommend that you keep spare surge protectors so that you can replace them when necessary.
- Lightning surge can enter not only through signal lines but also through power supply lines. We recommend that you also use the Lightning Surge Protector for Power Lines for adequate protection.

COMPONENT IDENTIFICATION



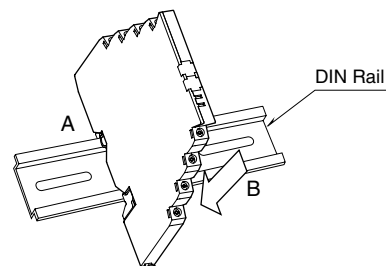
*Option identified by model number suffix.

INSTALLATION

Mount the unit on a DIN rail. Once installed, do not move it to another DIN rail.

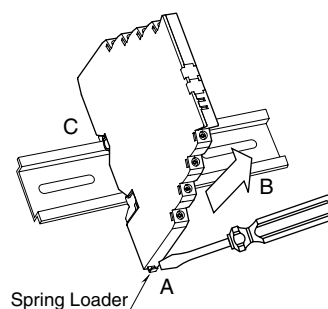
■ MOUNTING THE UNIT ON A DIN RAIL

- Hang the upper hook of the DIN rail mounting adaptor at the rear side of unit, on the DIN rail.
- Push in the lower in keeping pressing the unit to the DIN rail.
- DIN rails generally have slight individual variability in size. If you find it difficult to push in the lower part, go back to (A) and hang the upper part more deeply onto the rail and try (B) again.



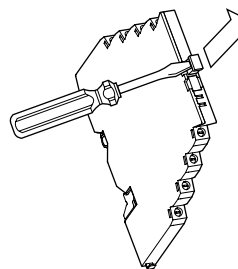
■ REMOVING THE UNIT

- Push down the spring loader utilizing a minus screwdriver.
- Confirm that it is pulled enough down and pull out the lower part of the unit.
- Detach the upper part from the DIN rail.



REPLACING FUSE

- Hang the tip of a minus screwdriver on the groove at either side of the fuse and push it out of the housing.
- Insert a replacement fuse. There is no polarity for the fuse to be observed.



TERMINAL CONNECTION

Connect the unit as in the diagram below.

Be sure to ground the DIN rail on which the unit is mounted and cross-wire between the rail and FG terminal of the protected device as shown in Figure 1 in order to equalize the earth potential.

When the unit is connected with a device which has no FG terminal, ground the surge protector only.

EXTERNAL DIMENSIONS unit: mm (inch)

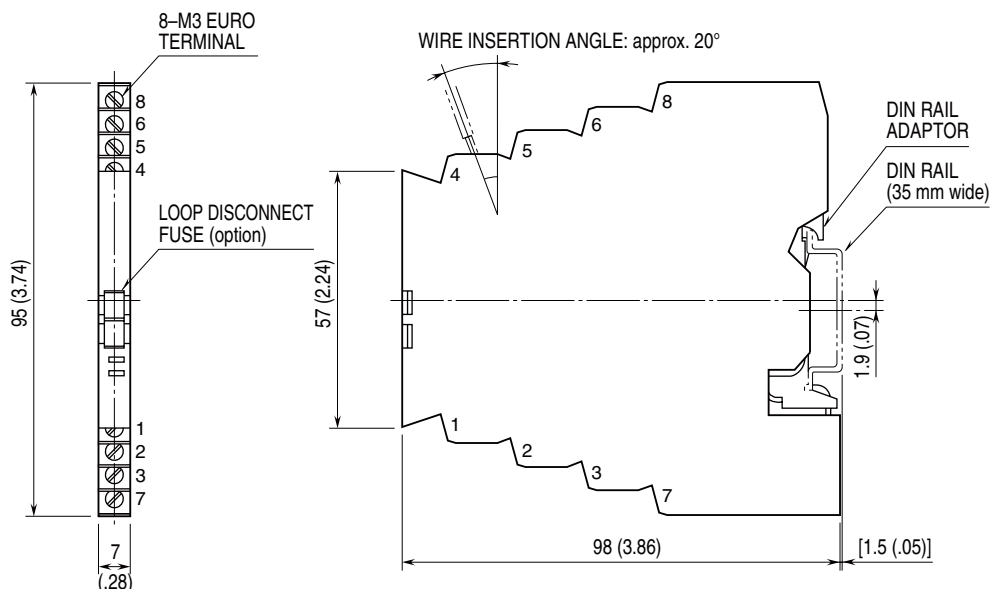
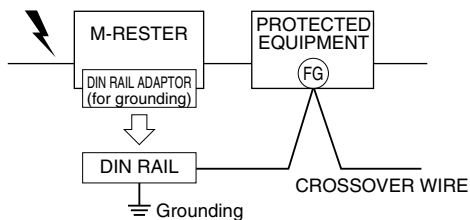
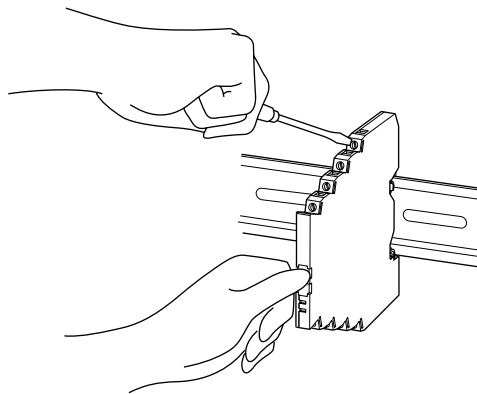


Figure 1. GROUNDING



Cross-wire from the DIN rail to the metal housing of the protected device to equalize the ground potential.
Ground only the surge protector when the protected device has no grounding terminal.

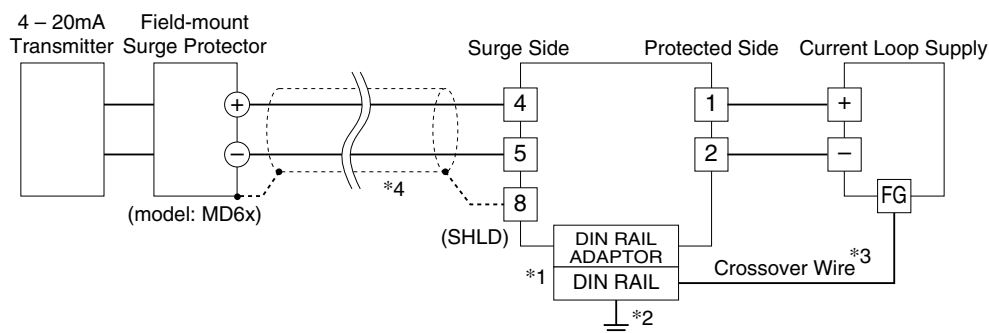
CAUTION WHEN WIRING



Hold the module steady at the front when you tighten/loosen screw terminals.

CONNECTION DIAGRAM

- Specify 'Loop disconnect fuse' type when multiple transmitters are connected to single power bus.
- Loop disconnect fuse is used to separate a transmitter loop from the power bus when it fails in the shortcircuit mode.



- *1. Oxide film on the surface of an aluminium rail may lower the electric conductivity between this module and the ground. Use a steel or copper rail.
- *2. Be sure to ground the DIN rail. Recommended grounding resistance $\leq 100\Omega$
- *3. Cross-wire between the DIN rail and the metal housing of the protected device to equalize the earth potential. Ground only the surge protector when the protected device has no ground terminal.
- *4. Shield wiring method is an example. Proceed according to the system requirements.

WIRING INSTRUCTIONS

EURO TERMINAL

Torque: 0.3 N·m

Applicable wire size: 0.2 – 2.5 mm²

Stripped length: 8 mm

MAINTENANCE

Check surge protectors periodically. Many cases of lightning are ignored, and even lightning at a far distance often causes inductive surges.

We recommend that you check your surge protector about twice a year, before and after the rainy season. Check whenever you experience a strong lightning occurrence.

Checking procedure is explained in the following:

CHECKING WIRING

- Make sure that wiring is done as instructed in the connection diagram.
- Make sure that the DIN rail is connected to the metal enclosure of protected device.
- Make sure that the surge protector is securely attached to the DIN rail, and that the rail is grounded to earth.

DISCHARGE ELEMENT

- Remove all wiring connected to the surge protector when you test the module.
- Check resistance across the terminals indicated in Table 2 on the high resistance range of multimeter and confirm no conduction. The tester should show 10 M Ω or greater.
- Confirm conduction across the same terminals with a 500 V DC 1000 M Ω insulation tester. The tester should show 20 M Ω or less.

With loop disconnect fuse option, confirm conduction across the following terminals on the high resistance range of multimeter. The tester should show 15 Ω or less.

1 – 4, 2 – 5

Polarity of the insulation tester does not matter.

- If any of the above tests shows negative, replace the surge protector.

Table 2.

TERM.	MODEL	MD7ST-xFF	MD7ST-xFG	MD7ST-xGF	MD7ST-xGG
4 – 5		Yes	Yes	Yes	Yes
4 – 8		No	Yes	Yes	Yes
5 – 8		No	Yes	Yes	Yes
8 – 5		No	No	Yes	Yes
5 – DIN rail		Yes	Yes	No	Yes
8 – DIN rail		Yes	No	Yes	No

Note 1: Apply (+) voltage of the multimeter to the terminal number indicated on the left side.

Note 2: Polarity does not matter for the insulation tester.