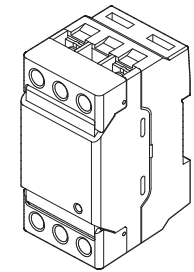


Lightning Surge Protectors for Electronics Equipment M-RESTER

SURGE PROTECTOR FOR PHOTOVOLTAIC SYSTEM

Functions & Features

- Surge protection for photovoltaic array and power conditioner.
- High discharge current capacity 20 kA or 40 kA (8/20 μ s)
- Degraded head element is automatically separated from the power lines by the incorporated thermal breaker, and the LED lamp (turns off) and the relay contact alerts the failure status.
- Breakdown of the surge protector remotely detected with the alarm output



MODEL: MATP-600[1][2]

ORDERING INFORMATION

- Code number: MATP-600[1][2]
Specify a code from below for each [1] and [2].
(e.g.MATP-600MA)

OPERATIONAL VOLTAGE

600: 600 V DC

[1] MAXIMUM DISCHARGE CURRENT

M: 20kA (8/20 μ sec.)

H: 40kA (8/20 μ sec.)

[2] ALARM OUTPUT

A: With

Y: Without

GENERAL SPECIFICATIONS

Construction: Standalone; terminal access at the front

Degree of protection: IP20 (If the solderless terminals are covered with insulation tubes.)

Surge protection type: Voltage limiting type one-port SPD Connection

Line: M5 screw terminal (torque: 2.5 N·m)

Alarm output: Tension clamp

Applicable wire size

Line: See the drawing below.

Alarm output: 0.13 to 1.5 mm², stripped length 8 mm

Screw terminal

Line: Nickel-plated steel

Alarm output: Tin-plated copper alloy

Housing material: Flame-resistant resin (black)

Alarm output: Trips when the thermal breaker operates. (N.C. contact)

Rated load:

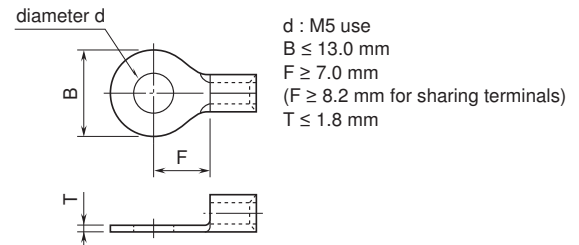
250 V AC @50 mA (resistive load)

24 V DC @50 mA (resistive load)

Safety function: Thermal breaker incorporated

Monitor LED: Green LED turns on during normal conditions between 150 and 600 V DC, and turns off during failure condition, power off and the thermal breaker operating.

• Applicable Solderless Terminal Size



INSTALLATION

Operating temperature: -25 to +80°C (-13 to +176°F)

Operating humidity: 30 to 90 %RH (non-condensing)

Mounting: DIN Rail

Weight

MATP-600Mx: 200 g (0.44 lb)

MATP-600Hx: 250 g (0.55 lb)

PERFORMANCE

Max. continuous operating voltage (Uc): 600 V DC

Discharge voltage: (Line to earth) 600 V DC

Maximum surge voltage: 2.5 kV

Maximum (Imax) and Nominal (In) discharge current: (8/ 20 μ s)

• MATP-600Mx: 20 kA (Imax), 10 kA (In)

• MATP-600Hx: 40 kA (Imax), 20 kA (In)

Response time: ≤ 4 nsec

Leakage current: ≤ 1 mA

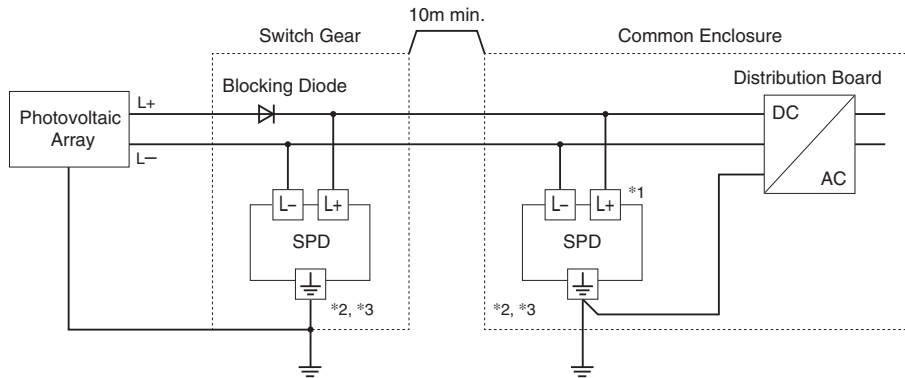
Insulation resistance: ≥ 100 M Ω with 500 V DC (line to alarm output)

Dielectric strength: 2000 V AC @ 1 minute (line to alarm output)

Surge protection: IEC 61643-1 Class II

CONNECTION EXAMPLES

■ CONNECTION DIAGRAM



*1. When the wiring distance is longer than 10 m between the power conditioner and the surge protector in the switch gear, install near the power conditioner.

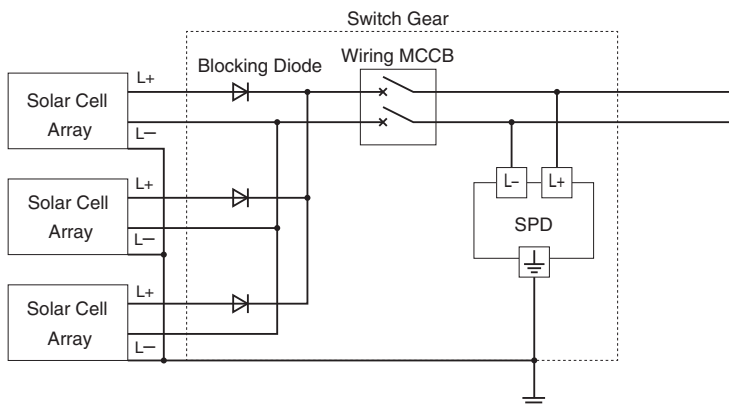
*2. Cable length between the branch point and the earthing: 0.5 m or less recommended

*3. When the solar panel manufacturer requires earthing at negative line of DC side, do NOT use the earth terminal of the SPD but use the L- terminal. If also, earthing at positive line is necessary, earth the L+ terminal.

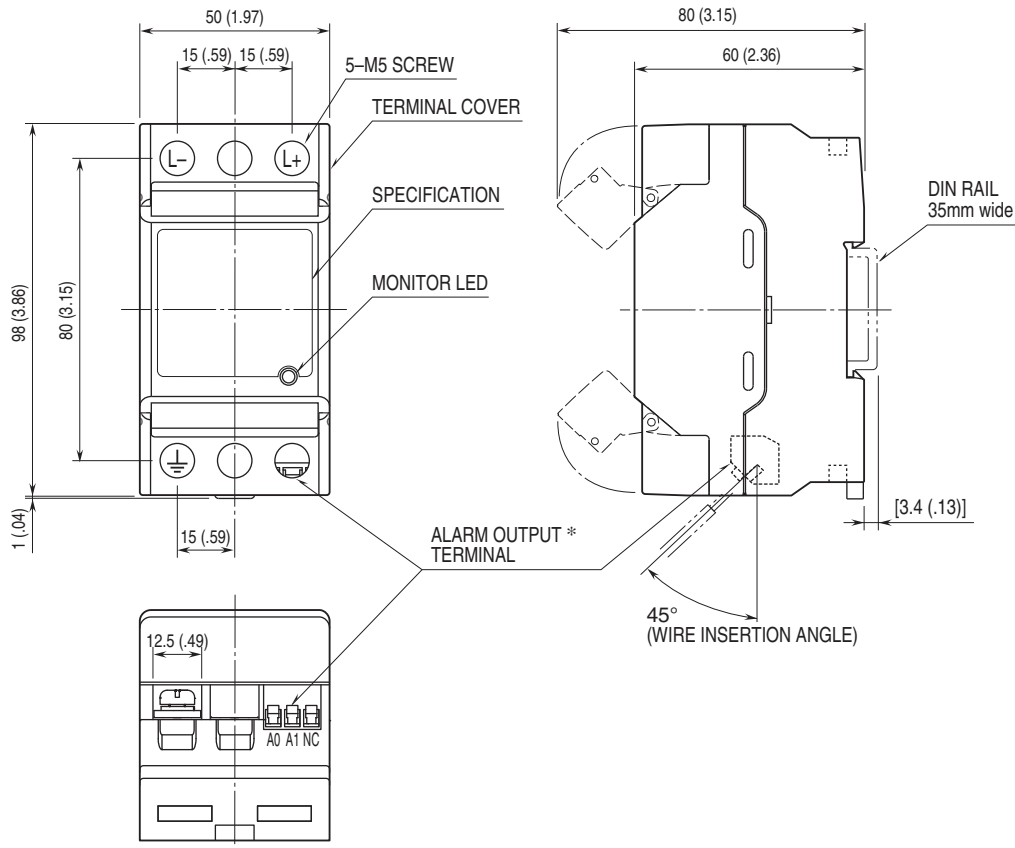
■ CIRCUIT BREAKER POSITION

If you want to use circuit breaker as SPD maintenance switch, insert a wiring MCCB for DC on SPD power side (diagram below).

Even when the output current of solar cell array is low, use 20 AT or more for wiring MCCB.

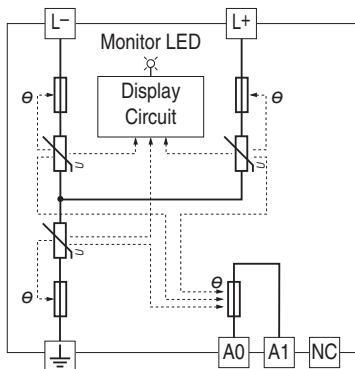


EXTERNAL DIMENSIONS & TERMINAL ASSIGNMENTS unit: mm (inch)



* Only for 'Alarm output' code 'A.'

SCHEMATIC CIRCUITRY



ε: Thermal breaker

Note: Terminals A0 & A1 are available for 'Alarm output' code 'A.'



Specifications are subject to change without notice.