

Lightning Surge Protectors for Electronics Equipment M-RESTER

LIGHTNING SURGE PROTECTOR FOR POWER SUPPLY USE

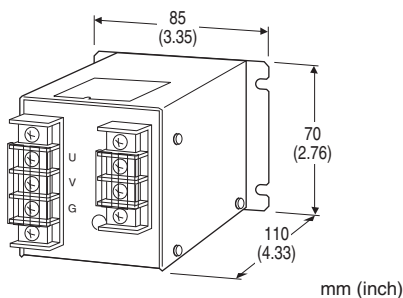
(10 A; high speed/high discharge current capacity)

Functions & Features

- Designed specifically for AC power supplies up to 10 A
- Discharge current capacity 20000 A
- Absorbing surges only without affecting instrumentation signal
- Indicator LED turns off with surge absorber anomaly
- Fuse provided for preventing ignition caused by failure of surge absorber

Typical Applications

- High discharge current capacity is beneficial for use in area with frequent lightnings



MODEL: MMAH-[1]

ORDERING INFORMATION

- Code number: MMAH-[1]
- Specify a code from below for [1]
- (e.g. MMAH-100)

[1] OPERATIONAL VOLTAGE

- 100: 100 V / 110 V / 120 V AC, 10 A
 200: 200 V / 220 V / 240 V AC, 10 A

RELATED PRODUCTS

- Lightning arrester for standard signal line (model: MMDH-24)

GENERAL SPECIFICATIONS

- Construction:** Wall-mounted, front terminals; terminal cover provided
- Connection:** M4 screw terminals (torque 0.8 N·m)
- Screw terminal:** Nickel-plated steel

Housing material: Steel plate t = 1.6 (black)

Fuse: Protecting voltage limiting element

Alarm indicator: Green LED turns off when the fuse is blown.

INSTALLATION

Operating temperature: -5 to +55°C (23 to 131°F)

Operating humidity: 30 to 90 %RH (non-condensing)

Mounting: Surface

Weight: 640 g (1.41 lbs)

PERFORMANCE

Discharge voltage (peak voltage)

Line to line:

190 V min. (MMAH-100)

410 V min. (MMAH-200)

Line to ground: 680 V min.

Maximum surge voltage

Line to line:

400 V max. (MMAH-100)

750 V max. (MMAH-200)

Line to ground: 800 V max.

(The maximum voltage that could pass through M-RESTER. Protected equipment must be able to withstand this voltage for very short time period.)

Response time: 4 nsec.

Leakage current

Line to line:

≤ 4 mA at 150 V DC (MMAH-100)

≤ 4 mA at 300 V DC (MMAH-200)

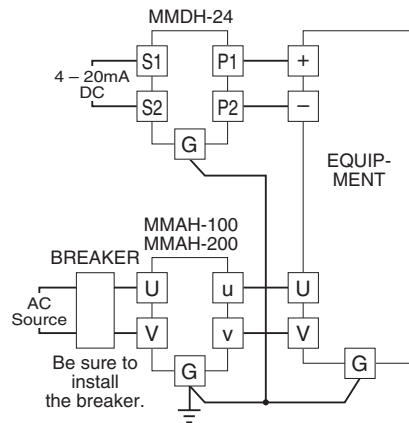
Line to ground: ≤ 0.1 mA at 300 V DC

Discharge current capacity: 20000 A (8 / 20 μsec.)

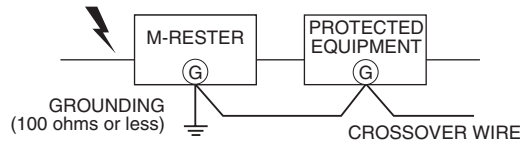
Maximum load current: 10 A

Internal series resistance: ≤ 0.5 Ω including return

CONNECTION EXAMPLES

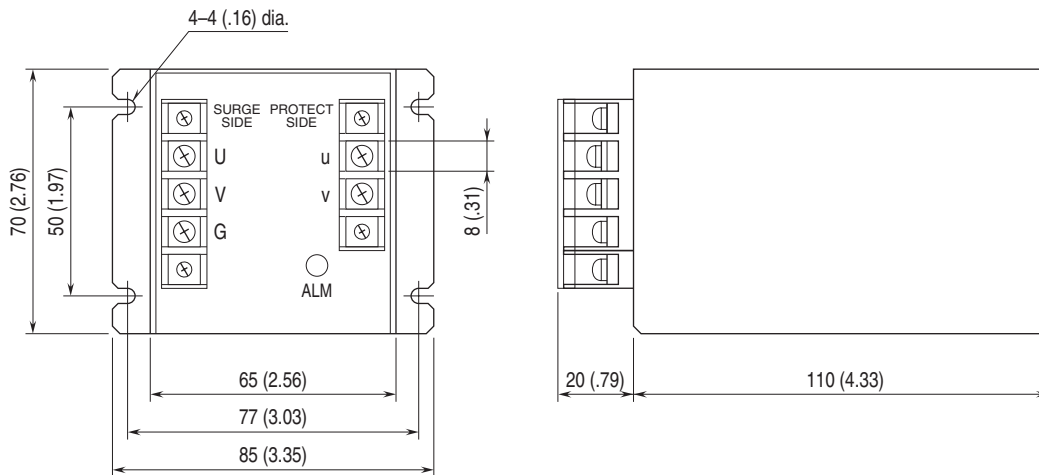


GROUNDING

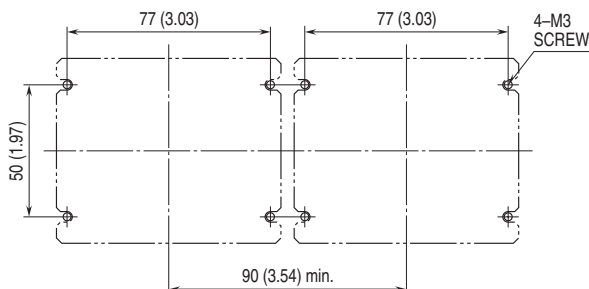


A crossover wire between M-RESTER ground and ground or metallic housing of equipment is required for protection.
If the protected equipment has no ground terminal, ground the M-RESTER only.

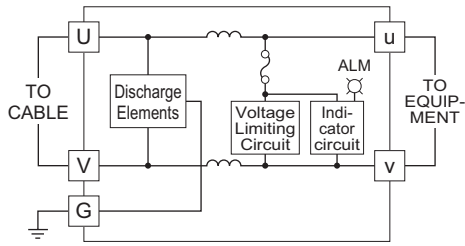
DIMENSIONS unit: mm (inch)



MOUNTING REQUIREMENTS unit: mm (inch)



SCHEMATIC CIRCUITRY



Specifications are subject to change without notice.