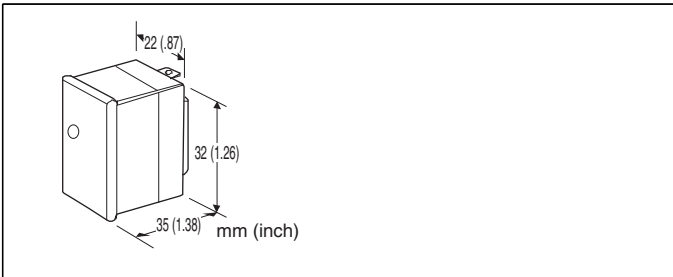


Lightning Surge Protectors for Electronics Equipment M-RESTER

SURGE ABSORBER ELEMENT

(For MAX use)



MODEL: MEL-[1]

ORDERING INFORMATION

- Code number: MEL-[1]

Specify a code from below for [1].

(e.g. MEL-100)

[1] OPERATIONAL VOLTAGE

100: 100 V / 110 V / 120 V AC

200: 200 V / 220 V / 240 V AC

GENERAL SPECIFICATIONS

Alarm indicator: Surge absorber failure indicator turns white when the fuse is blown.

Alarm Contact: Contact output when a fuse blows out to prevent fires (ON when abnormality occurs)

INSTALLATION

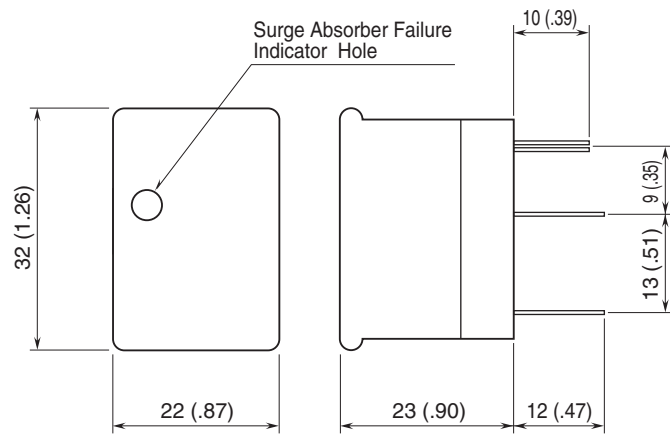
Operating temperature: -10 to +55°C (14 to 131°F)

Storage temperature: -10 to +65°C (14 to +149°F)

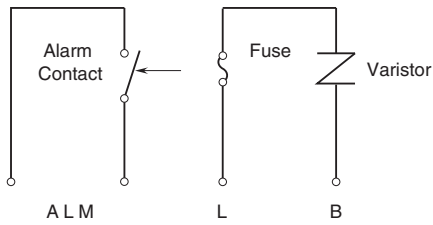
Operating humidity: 30 to 90 %RH (non-condensing)

Weight: 25 g (0.88 oz)

DIMENSIONS unit: mm (inch)



SCHEMATIC CIRCUITRY



Specifications are subject to change without notice.