

Plug-in Signal Conditioners K-UNIT

ISOLATOR

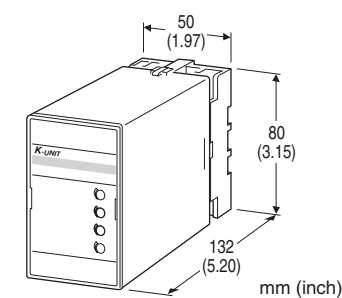
(two isolated outputs)

Functions & Features

- Standard instrumentation signal isolator with two outputs
- Isolation up to 2000 V AC
- High-density mounting

Typical Applications

- Isolation between control room and field instrumentation



MODEL: KWYV-[1][2][3]-B[4]

ORDERING INFORMATION

- Code number: KWYV-[1][2][3]-B[4]
- Specify a code from below for each of [1] through [4].
(e.g. KWYV-6AA-B/Q)
- Specify the specification for option code /Q
(e.g. /C01/S01)
- Note: When the user requires a current and a voltage output, specify the current to be the Output 1 which allows a greater load.

[1] INPUT

Current

A: 4 - 20 mA DC (Input resistance 250 Ω)

Voltage

6: 1 - 5 V DC (Input resistance 1 MΩ min.)

[2] OUTPUT 1

Current

A: 4 - 20 mA DC (Load resistance 600 Ω max.)

Voltage

6: 1 - 5 V DC (Load resistance 5000 Ω min.)

[3] OUTPUT 2

Current

A: 4 - 20 mA DC (Load resistance 350 Ω max.)

Voltage

6: 1 - 5 V DC (Load resistance 5000 Ω min.)

POWER INPUT

AC Power

B: 100 V AC

[4] OPTIONS

blank: none

/Q: With options (specify the specification)

SPECIFICATIONS OF OPTION: Q (multiple selections)

COATING (For the detail, refer to M-System's web site.)

- /C01: Silicone coating
- /C02: Polyurethane coating
- /C03: Rubber coating

TERMINAL SCREW MATERIAL

/S01: Stainless steel

GENERAL SPECIFICATIONS

Construction: Plug-in

Connection: M3.5 screw terminals

Screw terminal: Chromated steel (standard) or stainless steel

Housing material: Flame-resistant resin (black)

Isolation: Input to output 1 to output 2 to power

Overrange output: Approx. -10 to +120 % at 1 - 5 V

Zero adjustment: -5 to +5 % (front)

Span adjustment: 95 to 105 % (front)

Adjustable individually for each output 1 and output 2.

INPUT SPECIFICATIONS

■ DC Current:

Shunt resistor attached to the input terminals (0.5 W)

INSTALLATION

Power input

•AC: Operational voltage range: rating ±10 %, 50/60 ±2 Hz, approx. 3 VA

Operating temperature: -5 to +55°C (23 to 131°F)

Operating humidity: 30 to 90 %RH (non-condensing)

Mounting: Surface or DIN rail

Weight: 400 g (0.88 lb)

PERFORMANCE in percentage of span

Accuracy: $\pm 0.1\%$

Temp. coefficient: $\pm 0.02\%/^{\circ}\text{C}$ ($\pm 0.01\%/^{\circ}\text{F}$)

Response time: ≤ 0.5 sec. (0 - 90 %)

Line voltage effect: $\pm 0.1\%$ over voltage range

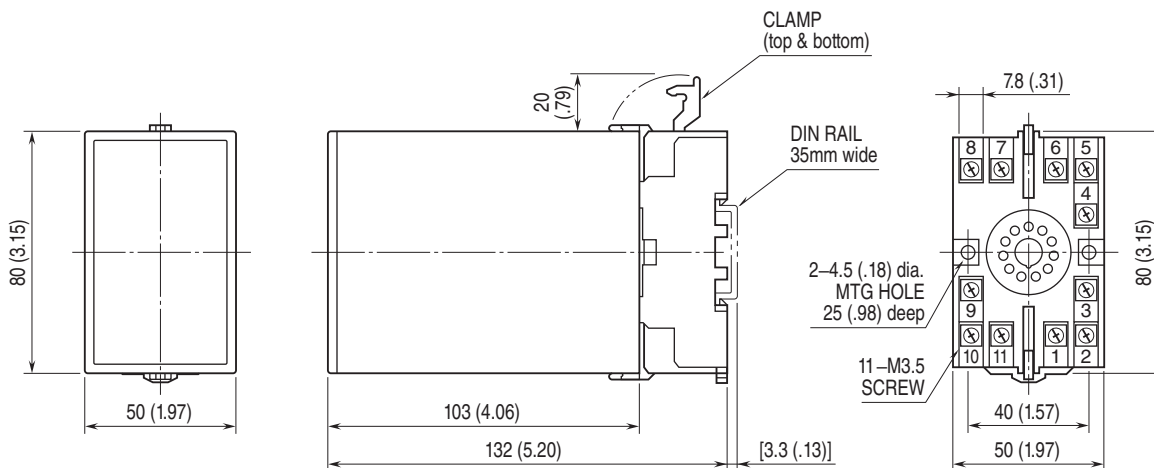
Insulation resistance: $\geq 100\text{ M}\Omega$ with 500 V DC

Dielectric strength: 2000 V AC @1 minute

(input to output to power to ground)

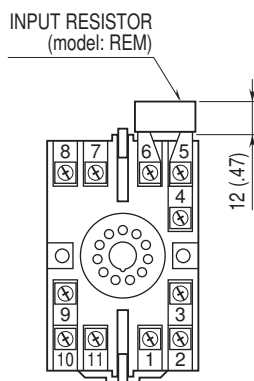
1000 V AC @ 1 minute (output 1 to output 2)

EXTERNAL DIMENSIONS unit: mm (inch)



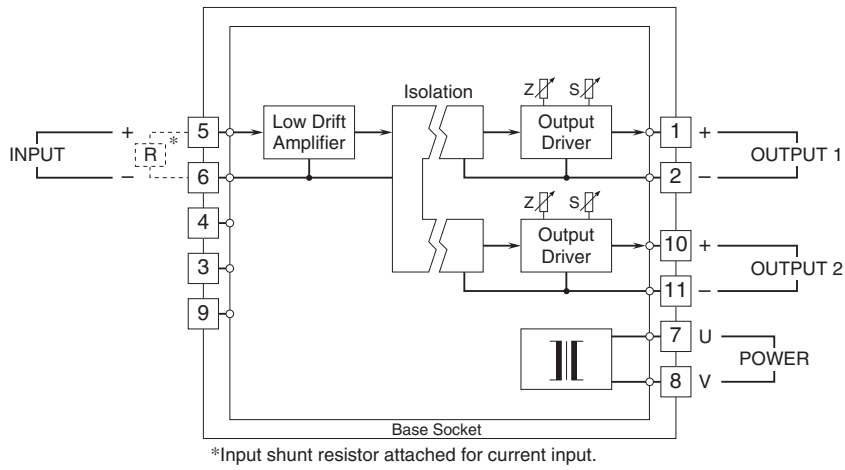
• When mounting, no extra space is needed between units.

TERMINAL ASSIGNMENTS unit: mm (inch)



Input shunt resistor attached for current input.

SCHEMATIC CIRCUITRY & CONNECTION DIAGRAM



Specifications are subject to change without notice.