

MOUNTING BLOCK	MODEL	MB
-----------------------	-------	-----------

BEFORE USE

Thank you for choosing us. Before use, please check contents of the package you received as outlined below.

If you have any problems or questions with the product, please contact our sales office or representatives.

■ PACKAGE INCLUDES:

MB-01

- Mounting block body(1)
- Gasket(1)
- Closing panel(1)
- Screws to attach the closing panel (M4 × 12)(2)
- NPT fitting (option /P7 only).....(1)
- Screws
 - Pan head screw (M4 × 60)(2)
 - Plain washer for M4(2)
 - Spring washer for M4(2)
 - Nut for M4.....(2)

MB-P1

- Mounting block body(1)
- Gasket(1)
- Closing panel(1)
- Screws to attach the closing panel (M4 × 12)(2)
- NPT fitting (option /P7 only).....(1)
- Screws
 - Pan head screw (M4 × 40)(2)
 - Spring washer for M4(2)
 - Nut for M4.....(2)

MB-08

- Mounting block body(1)
- Gasket(8)
- Closing panel(8)
- Screws to attach the closing panel (M4 × 12)(16)
- NPT fitting (option /P83 only).....(1)
- Screws
 - Pan head screw (M5 × 40)(4)
 - Plain washer for M5(8)
 - Spring washer for M5(4)
 - Nut for M5.....(4)

MB-16

- Mounting block body(1)
- Gasket(16)
- Closing panel(16)
- Screws to attach the closing panel (M4 × 12)(32)
- NPT fitting (option /P83 only).....(2)
- Screws
 - Pan head screw (M5 × 40)(4)
 - Plain washer for M5(8)
 - Spring washer for M5(4)
 - Nut for M5.....(4)

Note: The gasket and the closing panel are already attached to the Mounting Block when one is shipped from the factory. The NPT fitting is also attached to it when the option is specified when ordering.

■ MODEL NO.

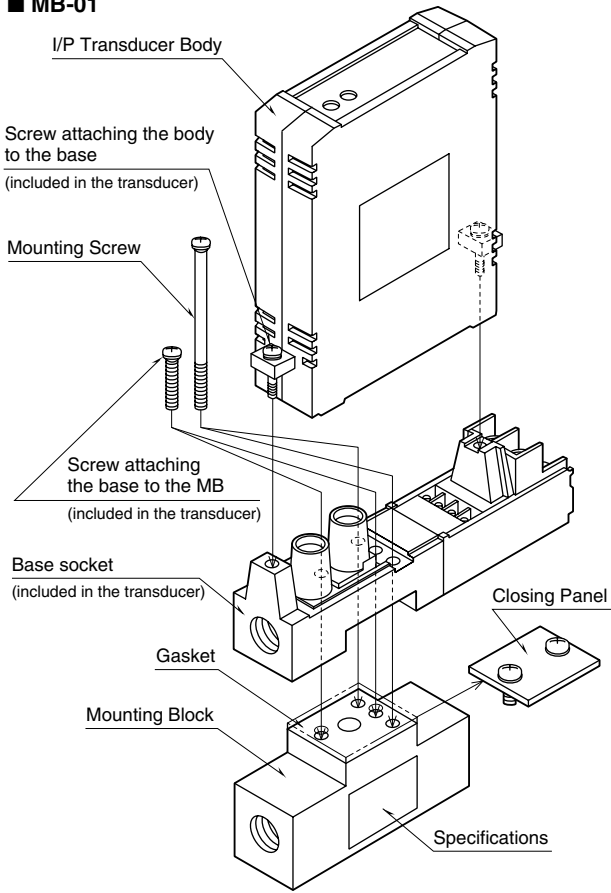
Confirm Model No. marking on the product to be exactly what you ordered.

■ INSTRUCTION MANUAL

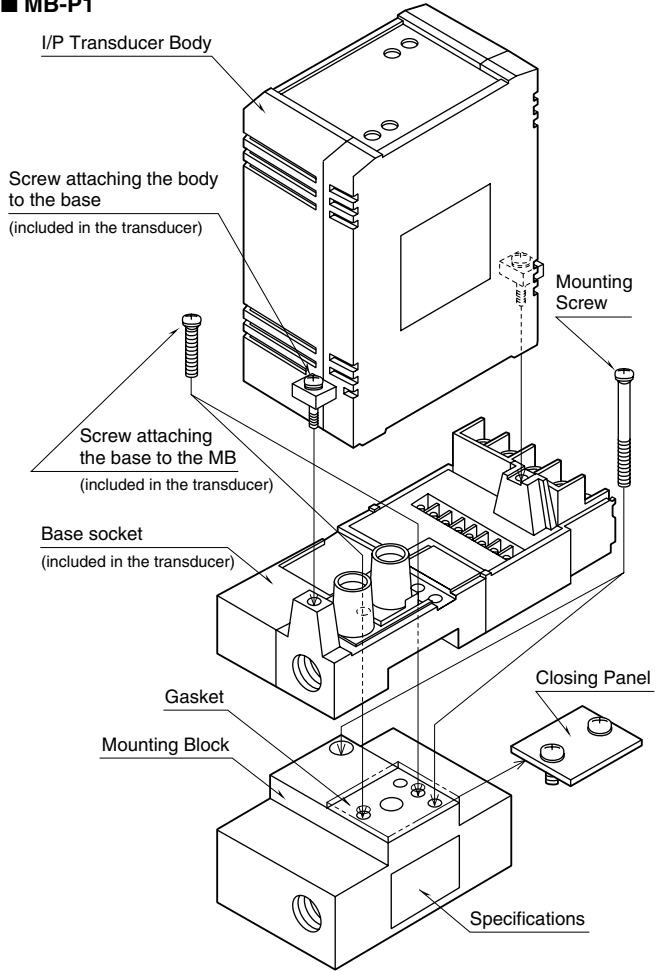
This manual describes necessary points of caution when you use this product, including installation, connection and basic maintenance procedures.

COMPONENT IDENTIFICATION

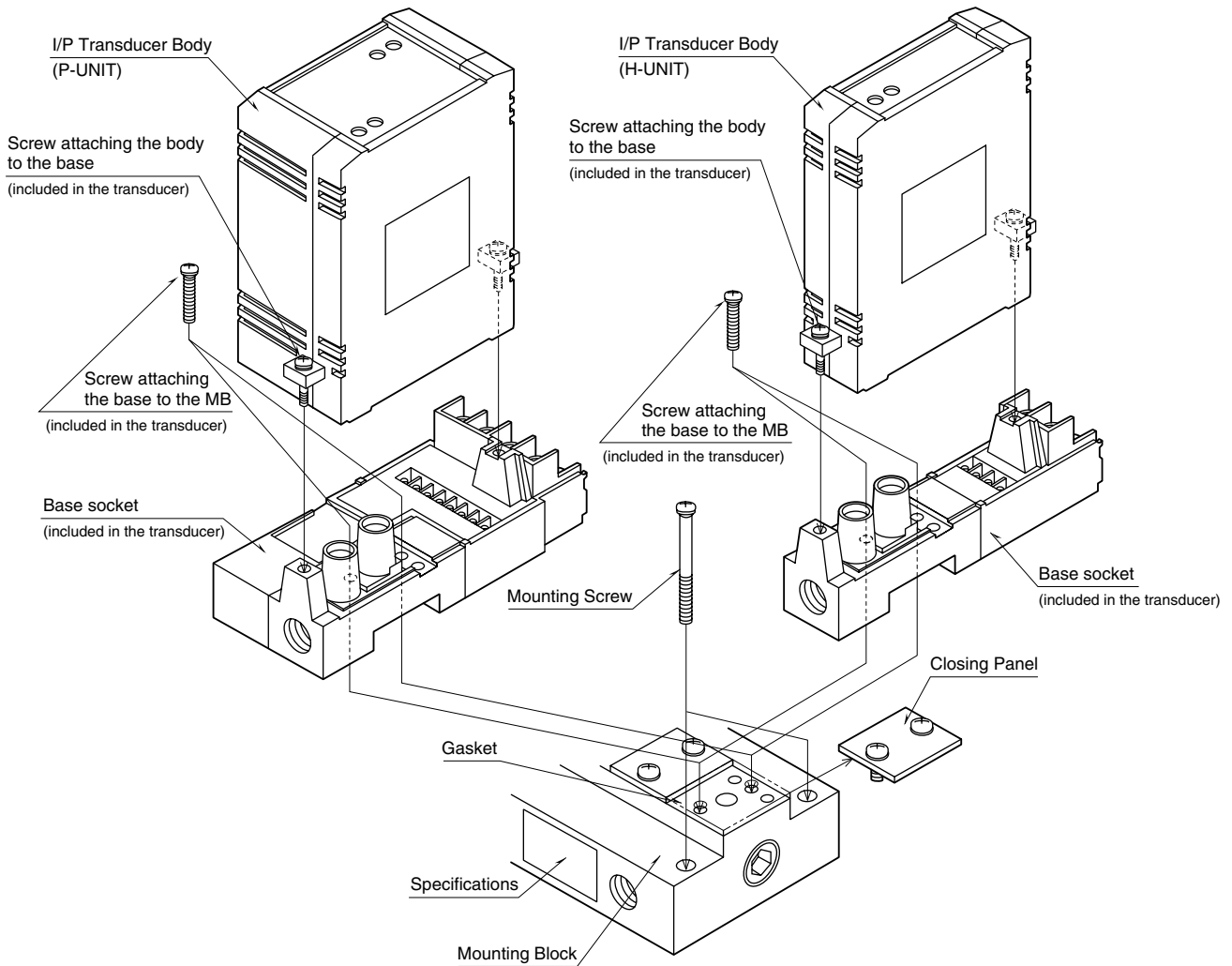
■ MB-01



■ MB-P1



■ MB-08 or MB-16



INSTALLATION

Secure an appropriate environment before installing the Mounting Block and I/P Transducer. Refer to 'Component Identification' and 'Mounting Requirement.'

The Mounting Block, except for the model MB-P1, can be mounted on the Standard Rack Mounting Frame model BX-16H which fits into 19-inch rack.

■ MB-01

The MB-01 is designed to be fixed together with the base socket of the transducer by the same screws. Get the H-UNIT Series I/P Transducer ready at hand when installing the MB-01.

- 1) Remove the closing panel. Be sure to keep the gasket attached to the closing panel so that it will be reused when attaching the MB to the base socket.
- 2) Loosen the two screws (M3 × 16) attaching the Transducer body to its base socket to separate them.
- 3) Mount the base socket onto the MB with the two screws (M4 × 20) provided with the Transducer. Be sure to insert the gasket between them.
- 4) Install the MB-base socket assembly to a panel surface with the attached 2 pan-head screws (M4 × 60).
- 5) Attach the pressure supply pipe referring to 'Piping.'
- 6) Plug the Transducer body into its base socket and fasten the M3 screws which had been loosened in the above procedure (2).

■ MB-P1

- 1) Remove the closing panel. Be sure to keep the gasket attached to the closing panel so that it will be reused when attaching the MB-P1 to the base socket.
- 2) Install the MB onto a panel surface with the attached 2 pan-head screws (M4 × 40).
- 3) Loosen the two screws (M3 × 16) attaching the Transducer body to its base socket to separate them.
- 4) Mount the base socket onto the MB with the two screws (M4 × 20) provided with the Transducer. Be sure to insert the gasket between them.
- 5) Attach the pressure supply pipe referring to 'Piping.'
- 6) Plug the Transducer body into its base socket and fasten the M3 screws which had been loosened in the above procedure (3).

Note: Put the closing panel back and the gasket onto the MB if the base socket is not attached immediately.

■ MB-08, MB-16

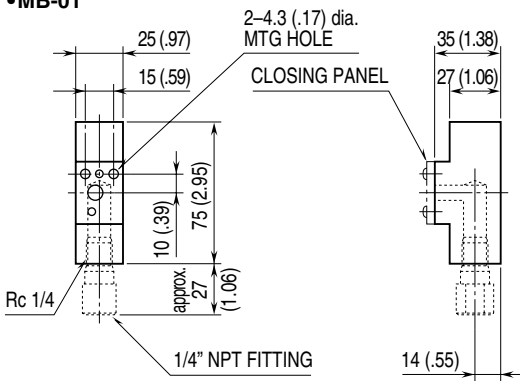
- 1) Install the MB onto a panel surface with the attached 2 pan-head screws (M5 × 40).
 - 2) Remove the closing panels on which the Transducers are to be mounted. Be sure to keep the gasket attached to the closing panel so that it will be reused when attaching the MB to the base socket.
- For the P-UNIT Transducers, one unit requires a space for two closing panels. Remove only the right closing panel, seen from the front when the pressure supply connections to the MB is positioned at the bottom.
- 3) Loosen the two screws (M3 × 16) attaching the Transducer body to its base socket to separate them.

- 4) Mount the base socket onto the MB with the two screws (M4 × 20) provided with the Transducer. Be sure to insert the gasket between them.
- 5) Attach the pressure supply pipe referring to 'Piping.'
- 6) Plug the Transducer body into its base socket and fasten the M3 screws which had been loosened in the above procedure (3).

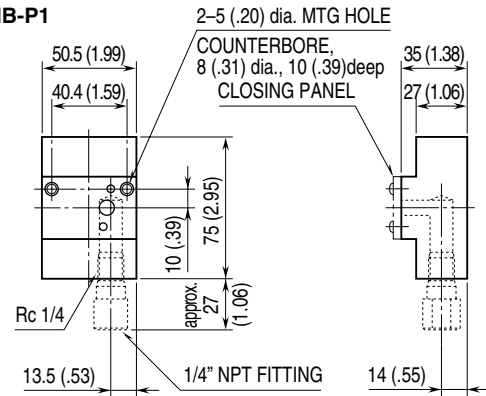
- Note 1: Put the closing panel back and the gasket onto the MB if the base socket is not attached immediately.
- Note 2: Remove the closing panels at the last moment before mounting the base socket, in order to prevent any dust entering into the MB.
- Note 3: When installing an additional base socket to an already working MB, stop the air supply.

EXTERNAL DIMENSIONS unit: mm (inch)

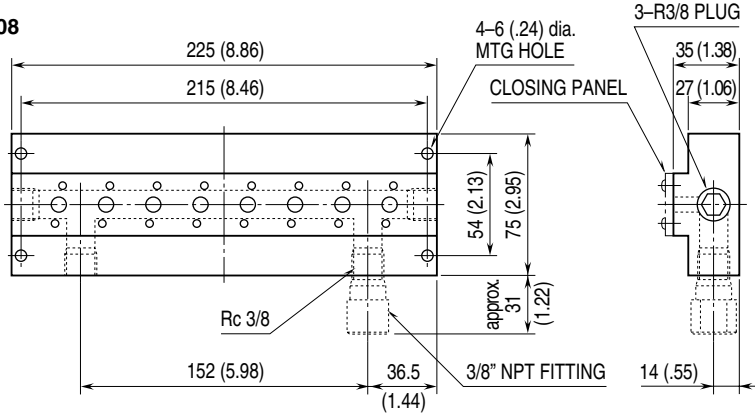
•MB-01



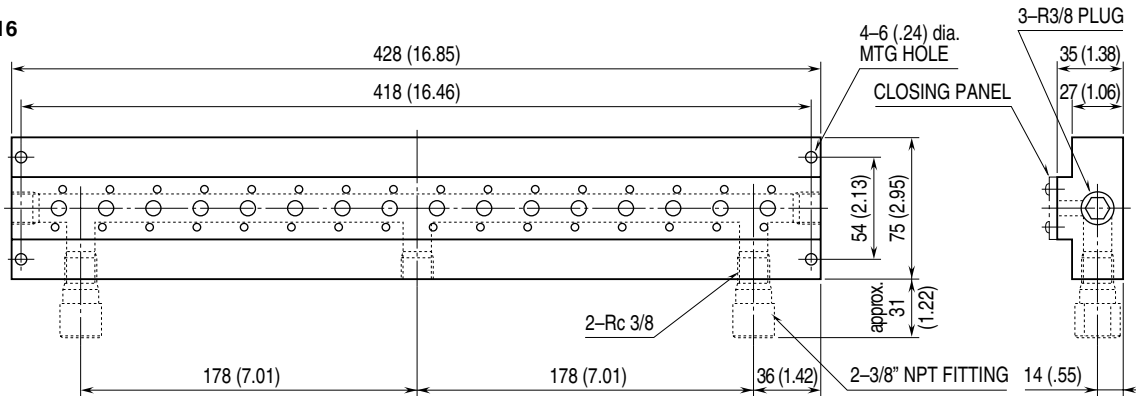
•MB-P1



•MB-08

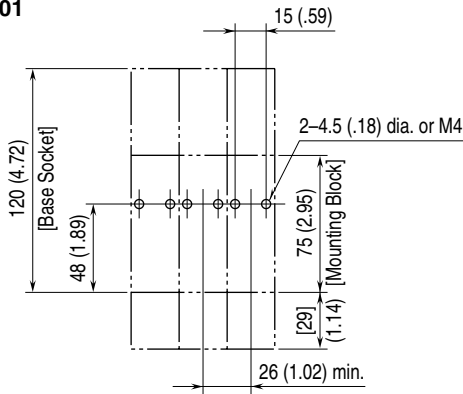


•MB-16

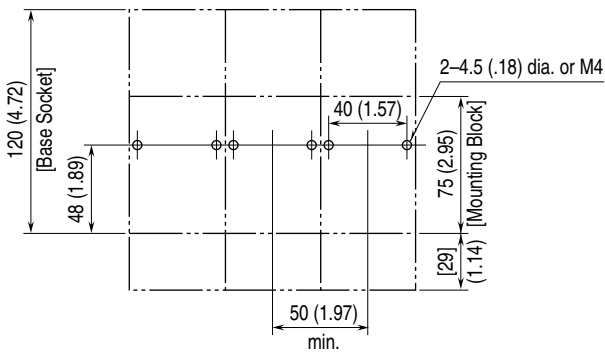


MOUNTING REQUIREMENTS unit: mm (inch)

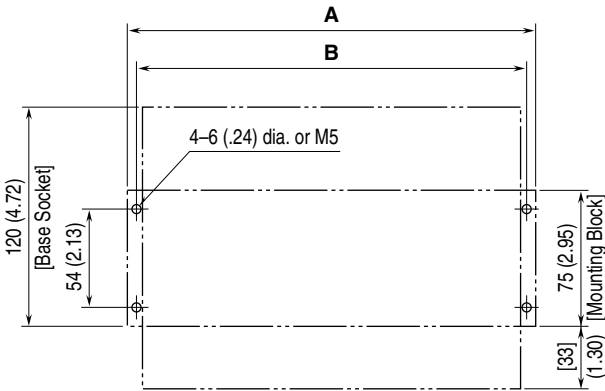
■ MB-01



■ MB-P1



■ MB-08, MB-16



	MB-08	MB-16
A	225 (8.86)	428 (16.85)
B	215 (8.46)	418 (16.46)

[] indicates a space required for NPT fitting.

PIPING

Choose an appropriate pipe diameter considering the required supply pressure to all transducers mounted onto the MB.

Connect a stopping valve at the pipe connection to the air header for easy testing and maintenance.

Blow the piping before installing the transducers in order to remove dust in it. Use dry air containing no carbon black or other foreign particles. To ensure reliability, use an air filter (0.01 microns). Be sure that no water, oil or dust particles enter the transducer by way of supply air.

Tightening torque is at the maximum of 12 N·m. Check that there is no air leak at the connection after sealing it.