

<p>FILTER/LAG TRANSMITTER (field-programmable)</p>	<p>MODEL HJFT</p>
---	--------------------------

BEFORE USE

Thank you for choosing us. Before use, please check contents of the package you received as outlined below. If you have any problems or questions with the product, please contact our sales office or representatives.

PACKAGE INCLUDES:

Signal conditioner
(body + base socket + input resistor).....(1)
Input resistor is provided only with current input type.

MODEL NO.

Confirm Model No. marking on the product to be exactly what you ordered.

INSTRUCTION MANUAL

This manual describes necessary points of caution when you use this product, including installation and connection, hardware setting, and basic maintenance procedures. When you need to change software settings, please refer to the Operation Manual for Model PU-2x (EM-9255), Section A.

POINTS OF CAUTION

POWER INPUT RATING & OPERATIONAL RANGE

- Locate the power input rating marked on the product and confirm its operational range as indicated below:
24V DC rating: 24V ±10%, approx. 90mA

GENERAL PRECAUTIONS

- Before you remove the unit from its base socket or mount it, turn off the power supply and input signal for safety.

ENVIRONMENT

- Indoor use.
- When heavy dust or metal particles are present in the air, install the unit inside proper housing with sufficient ventilation.
- Do not install the unit where it is subjected to continuous vibration. Do not subject the unit to physical impact.
- Environmental temperature must be within -5 to +55°C (23 to 131°F) with relative humidity within 30 to 90% RH in order to ensure adequate life span and operation.

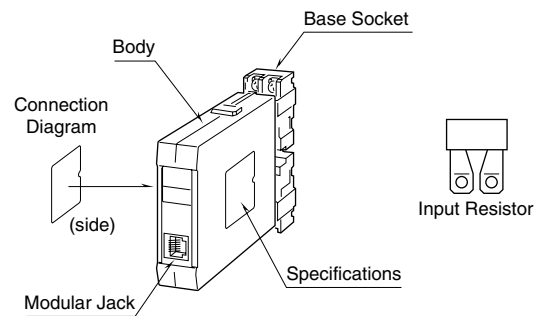
WIRING

- Do not install cables close to noise sources (relay drive cable, high frequency line, etc.).
- Do not bind these cables together with those in which noises are present. Do not install them in the same duct.

AND

- The unit is designed to function as soon as power is supplied, however, a warm up for 10 minutes is required for satisfying complete performance described in the data sheet.

COMPONENT IDENTIFICATION

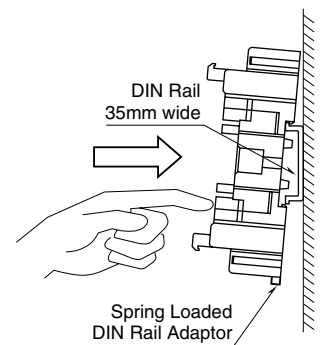


INSTALLATION

Pull out the body in pressing the clamps located at the top and bottom of the unit for separate the body from the base socket.

DIN RAIL MOUNTING

Set the base socket so that its DIN rail adaptor is at the bottom. Hang the upper hook at the rear side of base socket on the DIN rail and push in the lower. When removing the socket, push down the DIN rail adaptor utilizing a minus screwdriver and pull.



WALL MOUNTING

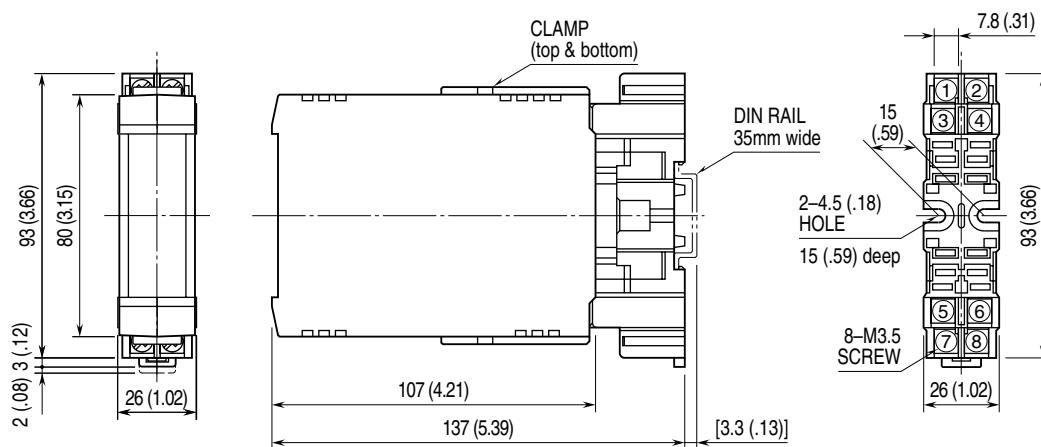
Refer to "EXTERNAL DIMENSIONS."

TERMINAL CONNECTIONS

Connect the unit as in the diagram below or refer to the connection diagram on the side of the unit.

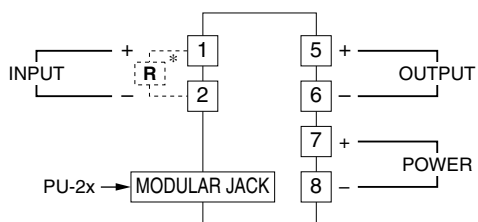
When an input resistor is provided with the module, attach it together with input wiring to the input screw terminals.

EXTERNAL DIMENSIONS unit: mm (inch)



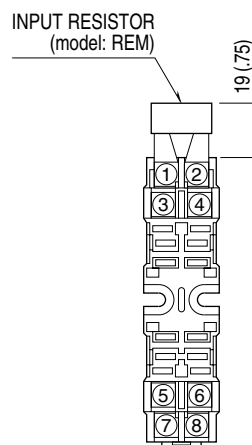
•When mounting, no extra space is needed between units.

CONNECTION DIAGRAM



*Input shunt resistor attached for current input.

TERMINAL ASSIGNMENTS unit: mm (inch)



Input shunt resistor attached for current input.

WIRING INSTRUCTIONS

■ SCREW TERMINAL

Torque: 0.8 N·m

CHECKING

- 1) Terminal wiring: Check that all cables are correctly connected according to the connection diagram.
- 2) Power input voltage: Check voltage across the terminal 7 – 8 with a multimeter.
- 3) Input: Check that the input signal is within 0 – 100% of the full-scale.
- 4) Output: Check that the load resistance meets the described specifications.

ADJUSTMENT PROCEDURE

This unit is calibrated at the factory to meet the ordered specifications, therefore you usually do not need any calibration, unless you need to match the signal to a receiving instrument or conduct regular calibration.

Zero and span are adjusted with using the Programming Unit (model: PU-2x).

Refer to the Operation Manual for Model PU-2x for explanations how to use the programmer.

■ WARNING ON USE OF THE PROGRAMMING UNIT

- Be sure to disconnect the Programming Unit before you turn on/off power supply to the unit.
- The output signal is held when the Programming Unit is connected. You need to disconnect when confirming current output values.

■ HOW TO CALIBRATE THE OUTPUT SIGNAL

Use a signal source and measuring instruments of sufficient accuracy level. Turn the power supply on and warm up for more than 10 minutes.

• Fine Output Calibration

Using the Programming Unit (ITEM 19, 20)

ITEM 19 is for Zero, and ITEM 20 is for Span.

- 1) Turn the unit into Program mode (ITEM 01).
- 2) Apply simulated 0% input. Increase/decrease values (default: 0%) at ITEM 19 until the output signal is calibrated to actual 0%.
- 3) Apply simulated 100% input. Increase/decrease value (default: 100%) at ITEM 20 until the output signal is calibrated to actual 100%.
- 4) Apply simulated 0% input again and check 0% output.
- 5) When 0% value is changed, repeat the above procedure 2) – 4).

The 0% value may be shifted when the output span is greater than the input span (gain > 1).

MAINTENANCE

Regular calibration procedure is explained below:

■ CALIBRATION

Warm up the unit for at least 10 minutes. Apply 0%, 25%, 50%, 75% and 100% input signal. Check that the output signal for the respective input signal remains within accuracy described in the data sheet. When the output is out of tolerance, recalibrate the unit according to the “ADJUSTMENT PROCEDURE” explained earlier.

LIGHTNING SURGE PROTECTION

We offer a series of lightning surge protector for protection against induced lightning surges. Please contact us to choose appropriate models.

PROGRAMMABLE ITEMS

The following items can be monitored and programmed.

Setting ITEM 23 enables to select various filters.

ITEM 01 through 20 are common to each filter.

For detailed explanations, please refer to the Operation Manual for Model PU-2x (EM-9255), Section A.

[GROUP 01]

ITEM	MDFY.	DATA INPUT	DISPLAY	CONTENTS			
01	S			MAINTENANCE SWITCH (lock command)			
		0	MTSW: MON.MODE	MONITOR mode: data monitoring only			
		1	MTSW: PRG.MODE	PROGRAM mode: "P" marked data modifiable			
02	P	Alphabets & No.	TG: XXXXXXXXXXXX	Tag name entry (10 characters max.)			
03	P	Number (%)	OUTPER XXX.XX	Output status monitor (%) & simulation output			
05	D	No input	INPPER XXX.XX	Input status monitor (%)			
06	D	No input	INPVAL XXX.XX	Input status monitor in actual value, same unit as selected in ITEM 10.			
10				TYPE OF TRANSMITTER INPUT			
	D	11	mV-1: 5 – 100mV	-			
	D	12	mV-2: 0.05 – 1V	-			
	P	13	mV-3: 0.5 – 10V	-			
	P	14	mV-6: 1 – 5V	-			
	D	15	mV-A: 4 – 20mA	-			
	D	16	mV-H: 10 – 50mA	-			
11	P			COARSE INPUT RANGE SELECTION			
				mV-1 (± mV)	mV-2 (± V)	mV-3 (± V)	mV-6/A/H
		0	INPRNG: XXXX	5	0.05	0.5	No Adjustment Needed
		1	INPRNG: XXXX	10	0.10	1.0	
		2	INPRNG: XXXX	20	0.20	2.0	
		3	INPRNG: XXXX	50	0.50	5.0	
4	INPRNG: XXXX	100	1.00	10.0			
14	P	Actual value	SCLLOW XXXXXXXX	Input range scaling 0% value			
15	P	Actual value	SCLHIG XXXXXXXX	Input range scaling 100% value Use the same engineering unit as the coarse range selected in ITEM 11.			
19	P	Percentage	FINZER	Fine zero adjustment Initial status shows actual bias (%). When data is entered, output (%) is shown.			
20	P	Percentage	FINSPN	Fine span adjustment Initial status shows actual gain (%). When data is entered, output (%) is shown.			

Modification Code

D: No modification (writing) possible. Used only for monitoring (reading).

S: Modifiable at any time.

P: Modifiable only when the MAINTENANCE SWITCH is in the "PRG" mode.

■ MOVING AVERAGE OUTPUT

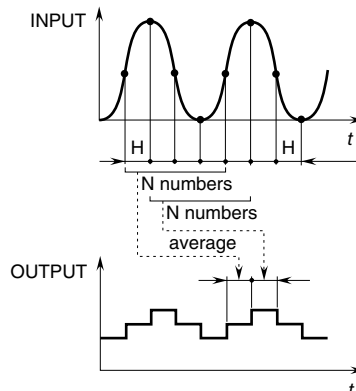
[GROUP 01]

ITEM	MDFY.	DATA INPUT	DISPLAY	CONTENTS
23	P			FUNCTION TYPE
		0	0: NO FILTER	Without the function
		1	1: RUNNING AVE	With the moving average output
24	P	0.1 – 100.0	H XXX.X	Sampling cycle “H” (seconds)
25	P	1 – 8	N X	“N” number of samples to be calculated

[FUNCTION]

This unit samples input signals every H seconds and outputs proportionally to an average of N numbers of sampled data. When a new input is sampled after another H seconds, it gives up the oldest sample and calculates a new average including the latest sample and outputs proportionally.

- H: Sampling cycle (0.1 to 100.0 seconds adjustable)
- N: Number of samples to be calculated (1 to 8 adjustable)



■ DEAD TIME COMPUTING

[GROUP 01]

ITEM	MDFY.	DATA INPUT	DISPLAY	CONTENTS
23	P			FUNCTION TYPE
		0	0: NO FILTER	Without the function
		2	2: DEAD TIME	With the dead time computing
24	P	0.1 – 100.0	H XXX.X	Sampling cycle “H” (seconds)
25	P	1 – 8	N X	“N” number of samples to be calculated
26	P	0.0 – 100.0	T XXX.X	Time constant “T” (seconds)

[FUNCTION]

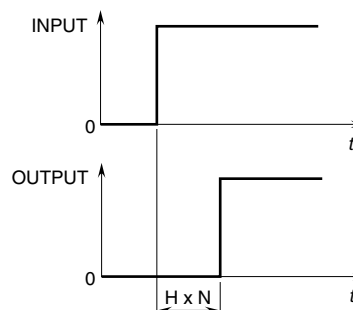
This unit does not respond to an input signal for a preset dead-time duration. In addition, with adjusting a time constant T, it generates a first order lag output after the dead-time.

$$X_o(s) = \frac{e^{-Ls}}{1 + Ts} X_i(s)$$

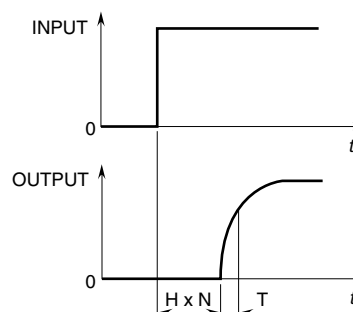
- X_i : Input
- X_o : Output
- Ls : Dead-time ($H \times N$) s

- H : Sampling cycle (0.1 to 100.0 seconds adjustable)
- N : Number of samples to be calculated (1 to 8 adjustable)
- T : Time constant (0.0 to 100.0 seconds adjustable)

• Step Input with Dead-Time



• Step Input with Dead-Time Plus Time Constant



■ DELAY BUFFER

[GROUP 01]

ITEM	MDFY.	DATA INPUT	DISPLAY	CONTENTS
23	P			FUNCTION TYPE
		0	0: NO FILTER	Without the function
		3	3: LAG MODULE	With the delay buffer
26	P	0.0 – 100.0	T XXX.X	Time constant “T” (seconds)

[FUNCTION]

This unit generates a first order lag output.

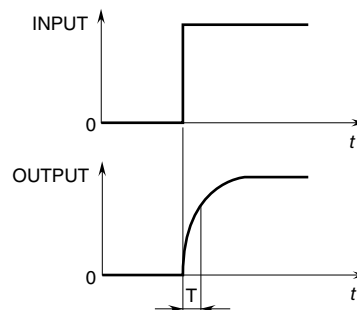
$$X_o(s) = \frac{1}{1 + Ts} X_i(s)$$

X_i : Input

X_o : Output

T : Time constant (0.0 to 100.0 seconds adjustable)

• Step Input with Time Constant



■ LEAD TIME COMPUTING

[GROUP 01]

ITEM	MDFY.	DATA INPUT	DISPLAY	CONTENTS
23	P			FUNCTION TYPE
		0	0: NO FILTER	Without the function
		4	4: LEAD MODULE	With the lead time computing
26	P	0.0 – 100.0	T XXX.X	Time constant “T” (seconds)

[FUNCTION]

This unit operates a lead-time equation.

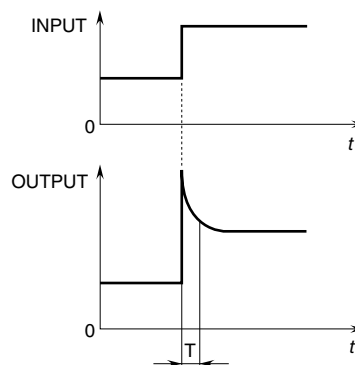
$$X_o(s) = (1 + Ts) X_i(s)$$

X_i : Input

X_o : Output

Ls : Lead-time constant (0.0 to 100.0 seconds adjustable)

• Step Input with Time Constant (Lead)



■ RAMP BUFFER

[GROUP 01]

ITEM	MDFY.	DATA INPUT	DISPLAY	CONTENTS
23	P			FUNCTION TYPE
		0	0: NO FILTER	Without the function
		5	5: RAMP BUFFER	With the ramp buffer
27	P	0.00 – 200.00	CP XXX.XX	Maximum rate of positive output change (%/s)
28	P	0.00 – 200.00	CN XXX.XX	Maximum rate of negative output change (%/s)

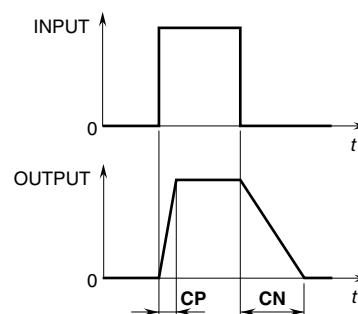
[FUNCTION]

This unit output does not change faster than a preset maximum rate, positive CP and negative CN, no matter how fast its input changes.

CP : Maximum rate of positive output change
(0.00 to 200.00%/second adjustable)

CN : Maximum rate of negative output change
(0.00 to 200.00%/second adjustable)

• Step Input with Rate-of-Change Limit



■ MEAN AVERAGE OUTPUT

[GROUP 01]

ITEM	MDFY.	DATA INPUT	DISPLAY	CONTENTS
23	P			FUNCTION TYPE
		0	0: NO FILTER	Without the function
		6	6: MAJORITY	With the mean average output
24	P	0.1 – 100.0	H XXX.X	Sampling cycle "H" (seconds)
25	P	2 – 8	N X	"N" number of samples to be calculated
29	P	0 – 7	L X	"L" number of smallest samples to be cut off
30	P	0 – 7	U X	"U" number of largest samples to be cut off

[FUNCTION]

This unit samples input signals every H seconds and, excluding U numbers of largest samples and L numbers of smallest samples, outputs proportionally to an average of the rest [N – (U + L)] of sampled data. When the number of samples to be calculated equals 0 or less, it outputs an error.

H : Sampling cycle (0.1 to 100.0 seconds adjustable)

N : Number of samples to be calculated
(2 to 8 adjustable)

U : Number of largest samples to be cut off
(0 to 7 adjustable)

L : Number of smallest samples to be cut off
(0 to 7 adjustable)

• Example (N=5, U=1, L=1)

