

BEFORE USE

Thank you for choosing us. Before use, please check contents of the package you received as outlined below. If you have any problems or questions with the product, please contact our sales office or representatives.

■ PACKAGE INCLUDES:

- Bargraph indicator (body + scale plate + mounting bracket × 2 + watertight packing)(1)
- Bezel*1(2)

*1. The inclusion of bezel and its size are specified by the option code.

■ MODEL NO.

Confirm Model No. marking on the product to be exactly what you ordered.

■ INSTRUCTION MANUAL

This manual describes necessary points of caution when you use this product, including installation, connection and basic maintenance procedures.

POINTS OF CAUTION

■ CONFORMITY WITH EU DIRECTIVES

- This equipment is suitable for Pollution Degree 2 and Installation Category II (transient voltage 2500V). Reinforced insulation (input 1 or input 2 to power input: 300V) is maintained. Prior to installation, check that the insulation class of this unit satisfies the system requirements.
- The equipment must be mounted on a panel surface. Once mounted on a panel, take appropriate precautions to prevent operators to be exposed to the terminal block.
- Altitude up to 2000 meters.
- The equipment must be installed such that appropriate clearance and creepage distances are maintained to conform to CE requirements. Failure to observe these requirements may invalidate the CE conformance.
- The actual installation environments such as panel configurations, connected devices and connected wires may affect the protection level of this unit when it is integrated in a panel system. The user may have to review the CE requirements in regard to the whole system and employ additional protective measures* to ensure CE conformity. * For example, installation of noise filters and clamp filters for the power source, input and output connected to the unit, etc.
- In order to enable the operator to turn off the power input immediately, install a switch or a circuit breaker according to the relevant requirements in IEC 60947-2 and properly indicate it.

■ POWER INPUT RATING & OPERATIONAL RANGE

- Locate the power input rating marked on the product and confirm its operational range as indicated below:
 100 – 240V AC rating: 85 – 264V, 47 – 66 Hz,
 approx. 3VA (48NV1-1) or 4VA (48NV1-2)
 24V DC rating: 24V ±15%,
 approx. 1.5W (48NV1-1) or 2W (48NV1-2)

■ GENERAL PRECAUTIONS

- Before you remove the unit or mount it, turn off the power supply and input signal for safety.
- Be sure to put the terminal cover on while the power is supplied.

■ ENVIRONMENT

- Indoor use.
- If the unit's environmental protection is compromised (e.g. when multiple units are to be mounted side by side) when heavy dust or metal particles are present in the air, install them inside an enclosure with a proper ventilation.
- Do not install the unit where it is subjected to continuous vibration. Do not subject the unit to physical impact.
- Environmental temperature must be within -5 to +55°C (23 to 131°F) with relative humidity within 30 to 90% RH in order to ensure adequate life span and operation.

■ REQUIREMENTS TO ENSURE IP65

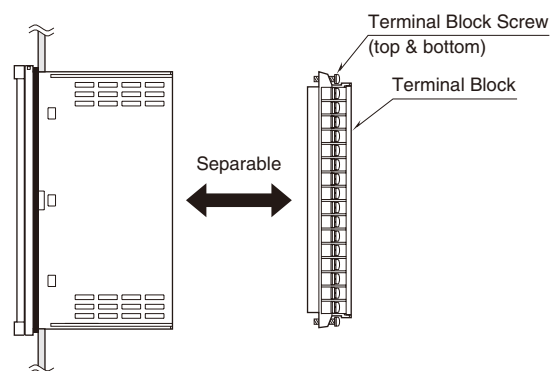
- Observe the designated panel cutout size (31.5 × 138 mm).
- Single mounting only. IP65 is not ensured when the units are clustered side by side.
- The watertight packing included in the product package must be placed behind the front cover.
- The mounting bracket must be fastened tightly until they hit the panel.
- Confirm visually that the packing is not contorted or excessively run off the edge after installation.

■ WIRING

- Do not install cables close to noise sources (relay drive cable, high frequency line, etc.).
- Do not bind these cables together with those in which noises are present. Do not install them in the same duct.

■ TERMINAL BLOCK

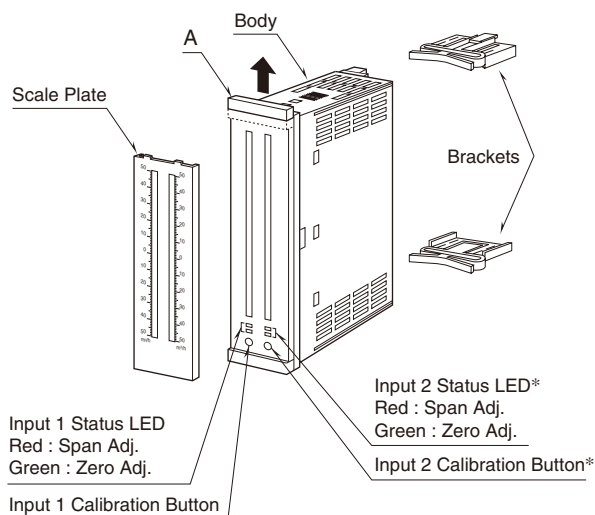
- The terminal block is separable in two pieces. Loosen two screws on top and bottom of the terminal block to separate.
- Be sure to turn off the power supply and input signal before separating the terminal block.



■ AND

- The unit is designed to function as soon as power is supplied, however, a warm up for 10 minutes is required for satisfying complete performance described in the data sheet.

COMPONENT IDENTIFICATION



Pull up the part 'A' when replacing the scale plate.

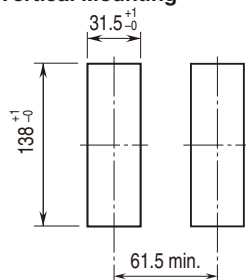
*Not provided for the 48NV1-1.

INSTALLATION

■ PANEL CUTOUT unit: mm

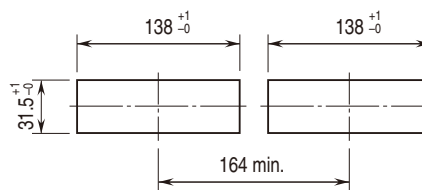
■ SINGLE MOUNTING (Conform to degree of protection IP65)

• Vertical Mounting



Panel thickness: 1.6 – 8.0 mm

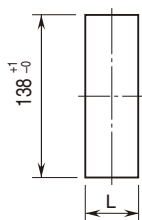
• Horizontal Mounting



Panel thickness: 1.6 – 8.0 mm

■ CLUSTERED MOUNTING (Not conform to degree of protection IP65)

• Vertical Mounting

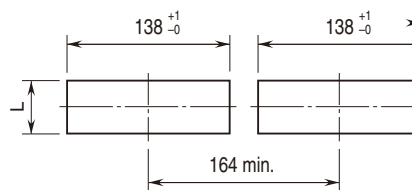


Panel thickness: 1.6 – 8.0 mm

$$L = \{31.5 + 36 \times (N - 1)\}^{+1}_{-0}$$

(N : number of units)

• Horizontal Mounting



Panel thickness: 1.6 – 8.0 mm

$$L = \{31.5 + 36 \times (N - 1)\}^{+1}_{-0}$$

(N : number of units)

Note 1: Observe at the minimum of 3 cm above and below the units for heat dissipation.

Note 2: No bezel is needed when the panel is cut according to the above drawings.

■ USING BEZELS

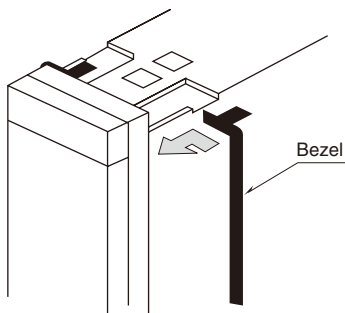
Bezels are used when the unit needs to be adapted to an existing panel cutout. It is not required when the panel cutout size is as specified in the unit's data sheet (31.5 × 138 mm). Three types of bezels are selectable when ordering.

Option /M type: Fits into the 48 Series' panel cutout (38 × 139.5 mm)

Option /D type: Fits into DIN panel cutout (33 × 138 mm)

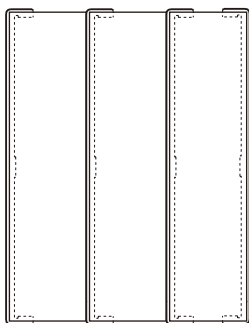
Option /F type: Fits into Fuji Electric PAJ, PAK, PBA, etc, panel cutout (44 × 138 mm)

Slide the top and bottom parts of the bezel into the back of the front cover as shown below.



When multiple units are to be clustered side by side, insert one bezel between two units as shown below.

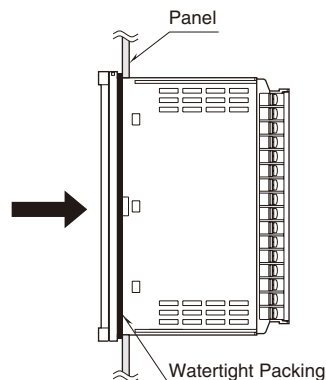
- When mounting two or more indicators side by side:



■ HOW TO MOUNT THE UNIT ON A PANEL

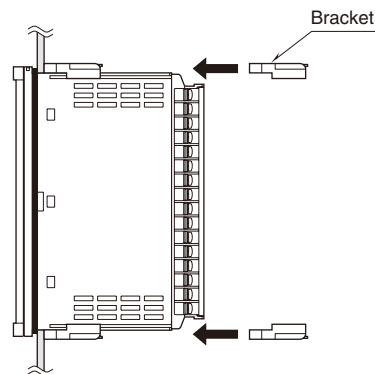
- 1) Insert the unit into the panel cutout. The watertight packing must be in place to hold the unit. Do not remove it even when the protection is not required.

The IP65 front cover protection is effective only with single mounting, with the designated cutout size (31.5 × 138 mm).



- 2) Push the mounting brackets into the grooves on top and bottom of the rear module, until they hit the panel's rear side.

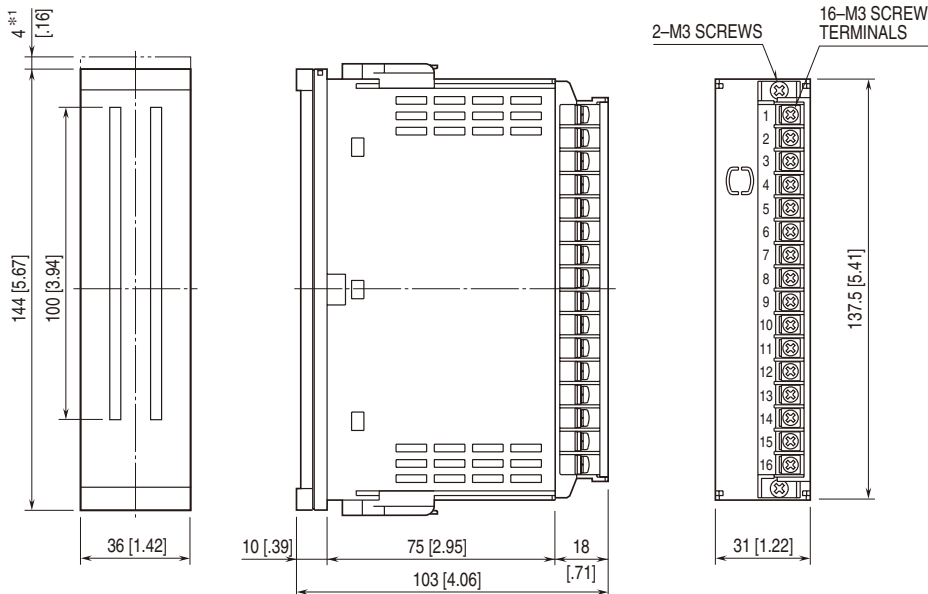
Leave at least 3 centimeters both above and below the unit for ventilation.



TERMINAL CONNECTIONS

Connect the unit as in the diagram below or refer to the connection diagram on the side of the unit.

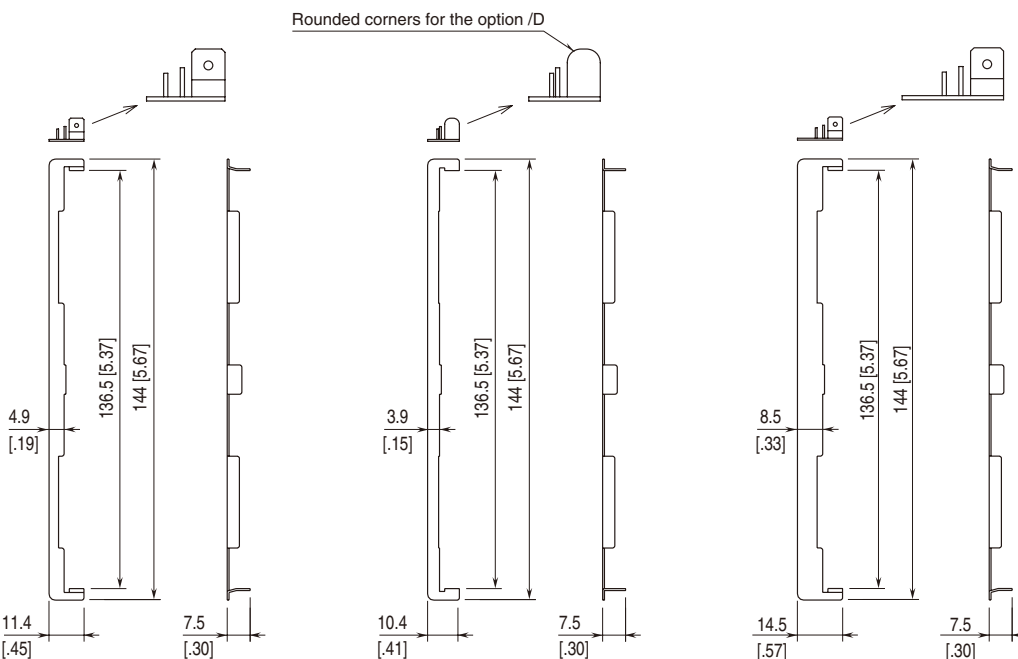
EXTERNAL DIMENSIONS unit: mm [inch]



OPTION /M BEZEL *2

OPTION /D BEZEL *3

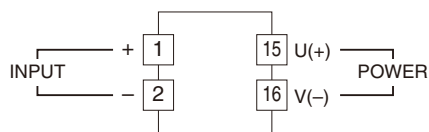
OPTION /F BEZEL *4



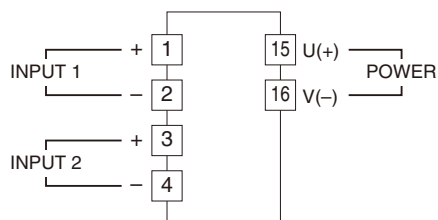
*1. Space required when replacing the scale plate.
 *2. Used for the existing panel cutout of the 48 Series (38 × 139.5 mm).
 *3. Used for the existing DIN panel cutout (33 × 138 mm).
 *4. Used for the existing panel cutout of Fuji Electric PAJ, PAK, PBA (44 × 138 mm), etc.

CONNECTION DIAGRAM

48NV1-1



48NV1-2



WIRING INSTRUCTIONS

■ SCREW TERMINAL

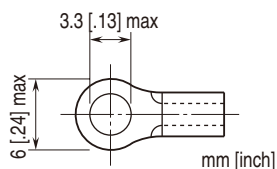
Torque: 0.6 N·m

■ SOLDERLESS TERMINAL

Refer to the drawing below for recommended ring tongue terminal size. Spade tongue type is also applicable.

Applicable wire size: 0.25 to 1.65 mm² (AWG 22 to 16)

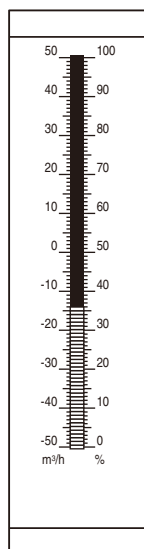
Recommended manufacturer: Japan Solderless Terminal MFG.Co.Ltd, Nichifu Co.,ltd



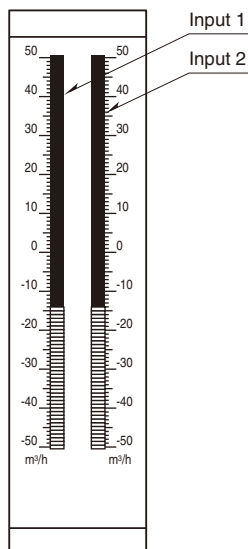
FRONT PANEL CONFIGURATION

■ VERTICAL MOUNTING

• Bargraphs Code1: Single

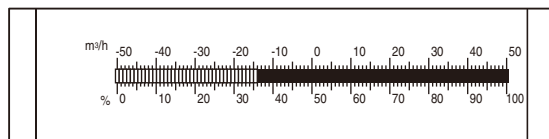


• Bargraphs Code2: Dual

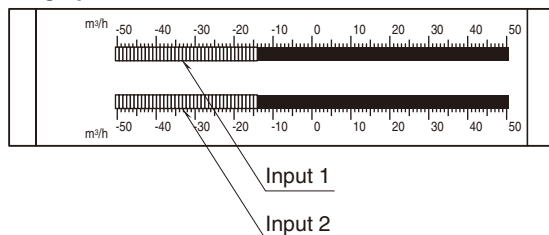


■ HORIZONTAL MOUNTING

• Bargraphs Code1: Single



• Bargraphs Code2: Dual



• Overrange Input

With an input below 0%, the low-end segment (0%) blinks.
With an input above 100%, all segments are on and the high-end segment (100%) blinks.

CALIBRATION PROCEDURE

This unit is calibrated at the factory to meet the ordered specifications, therefore you usually do not need any calibration.

For matching the indication to a receiving instrument or in case of regular calibration, adjust the output as explained in the following.

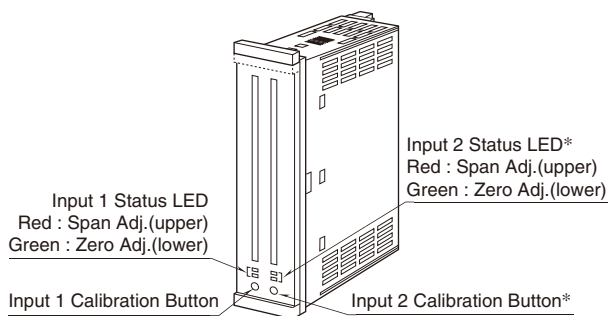
■ HOW TO CALIBRATE THE OUTPUT INDICATION

Use a signal source and measuring instruments of sufficient accuracy level. Turn the power supply on and warm up for more than 10 minutes.

- 1) Remove the scale plate.
- 2) Apply 0% input to the input 1 terminals.
- 3) Keep pressing Input 1 Calibration Button for more than 5 seconds until 0% position of bargraph and Input 1 status LED (green) start blinking.
- 4) Confirm that input signal is stable, and keep pressing Input 1 Calibration Button for more than 1 second until 100% position of bargraph start blinking. And then the status LED (green) turns off and red LED start blinking.
- 5) Apply 100% input to the input 1 terminals.
- 6) Confirm that input signal is stable, and keep pressing Input 1 Calibration Button for more than 1 second. Confirm that bargraph shows 100%. At the same time, status LED (red) turns off.
- 7) Apply 0% input to the input 1 terminals again and confirm that bargraph shows 0% position.

The calibration is completed.

For dual bargraph type (48NV1-2), go through the procedure 2) to 7) for the Input 2.



*Not provided for the 48NV1-1.

MAINTENANCE

Regular checking procedure is explained below:

■ CHECKING

Warm up the unit for at least 10 minutes. Apply 0%, 25%, 50%, 75% and 100% input signal. Check that the bargraph for the respective input signal remains within accuracy described in the data sheet. When the bargraph is out of tolerance, recalibrate the unit according to the "CALIBRATION PROCEDURE" explained earlier.

LIGHTNING SURGE PROTECTION

We offer a series of lightning surge protectors for protection against induced lightning surges. Please contact us to choose appropriate models.