

CT INPUT DIGITAL PANEL METER
(4 1/2 digit, LED display type, true RMS sensing)**MODEL 47LCT****BEFORE USE**

Thank you for choosing M-System. Before use, please check contents of the package you received as outlined below.

If you have any problems or questions with the product, please contact M-System's Sales Office or representatives.

■ PACKAGE INCLUDES:

- Digital panel meter (1)
- Engineering unit sticker label sheet (1)

■ MODEL NO.

Confirm Model No. marking on the product to be exactly what you ordered.

■ OPERATING MANUAL

This manual describes necessary points of caution when you use this product, including installation, connection, basic maintenance procedures and detailed operations.

POINTS OF CAUTION**■ CONFORMITY WITH EC DIRECTIVES**

- This equipment is suitable for use in a Pollution Degree 2 environment and in Measurement Category III, Installation Category II, with the maximum operating voltage of 300V.

Reinforced insulation is maintained between signal input, output and power input. Prior to installation, check that the insulation class of this unit satisfies the system requirements.

- Altitude up to 2000 meters
- The equipment must be installed such that appropriate clearance and creepage distances are maintained to conform to CE requirements. Failure to observe these requirements may invalidate the CE conformance.
- In order to enable the operator to turn off the power input immediately, install a switch or a circuit breaker according to the relevant requirements in IEC 60947-1 and IEC 60947-3 and properly indicate it.

■ POWER INPUT RATING & OPERATIONAL RANGE

Locate the power input rating marked on the product and confirm its operational range as indicated below:

- 100 – 240V AC rating: 85 – 264V, 50/60 Hz, approx. 6.5VA
- 24V DC rating: 24V ±10%, approx. 3W
- 110V DC rating: 85 – 150V, approx. 3W

■ GENERAL PRECAUTIONS

- Before you remove the unit or mount it, turn off the power supply and input signal for safety.
- Be sure to put the terminal cover on while the power is supplied.

■ ENVIRONMENT

- Indoor use
- When heavy dust or metal particles are present in the air, install the unit inside proper housing with sufficient ventilation.
- Do not install the unit where it is subjected to continuous vibration. Do not subject the unit to physical impact.
- Environmental temperature must be within -10 to +55°C (14 to 131°F) with relative humidity within 30 to 90% RH in order to ensure adequate life span and operation.
- Be sure that the ventilation slits are not covered with cables, etc.

■ REQUIREMENTS TO ENSURE IP66

- Observe the designated panel cutout size (W92 × H45 mm).
- The watertight packing included in the product package must be placed behind the front cover.
- Both mounting brackets must be fastened tightly until they hit the panel.
- Confirm visually that the packing is not contorted or excessively run off the edge after installation.

■ WIRING

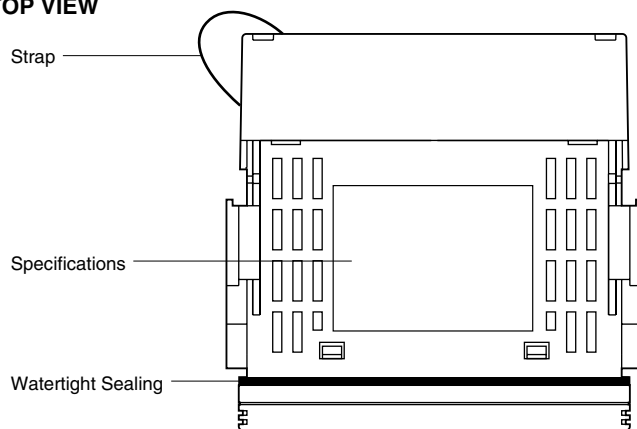
- Make sure for safety that only qualified personnel perform the wiring.
- Do not install cables (power supply, input and output) close to noise sources (high frequency line, etc.).
- Do not bind these cables together with those in which noises are present. Do not install them in the same duct.

■ AND

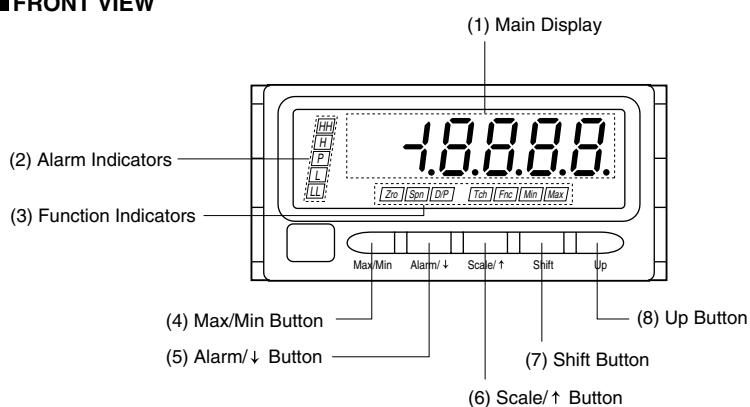
The unit is designed to function as soon as power is supplied, however, a warm up for 10 minutes is required for satisfying complete performance described in the data sheet.

COMPONENT IDENTIFICATION

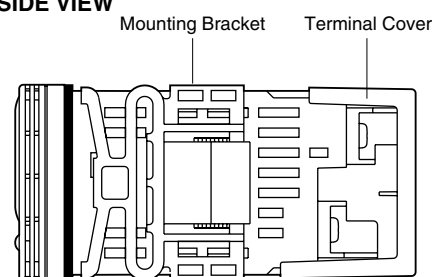
■ TOP VIEW



■ FRONT VIEW



■ SIDE VIEW



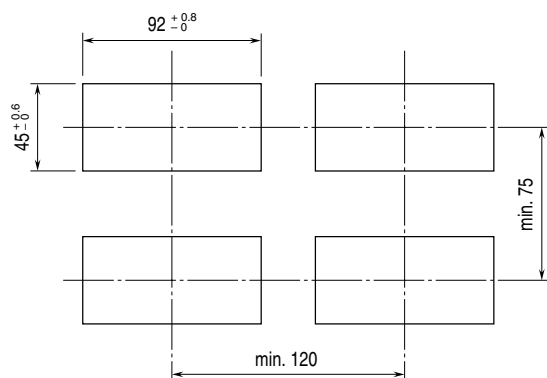
• COMPONENT IDENTIFICATION

No.	COMPONENT	FUNCTION
(1)	Main display	Indicates present values, setting values.
(2)	Alarm indicators *1	Indicate alarm status of the input signal. LL turns on when the LL alarm is tripped. L turns on when the L alarm is tripped. H turns on when the H alarm is tripped. HH turns on when the HH alarm is tripped. P turns on when none of the other alarms is tripped.
(3)	Function indicators	Indicate setting modes and status.
(4)	Max/Min button	Used to switch the main display to show present values, maximum values or minimum values.
(5)	Alarm/↓ button	Used to move on to the alarm setting mode; or to shift through setting items in each setting mode.
(6)	Scale/↑ button	Used to move on to the scaling setting mode; or to shift through setting items in each setting mode.
(7)	Shift button	Used to move on to the setting standby status and shift through display digits in each setting item.
(8)	Up button	Used to change setting values, to execute/cancel Forced Zero, or to set input signal values during 'Teach' calibration.

*1. Only the 'P' indicator turns on with 'no alarm output' option. For dual alarm type, 'LL' or 'HH' does not turn on.

INSTALLATION

■ PANEL CUTOUT unit: mm

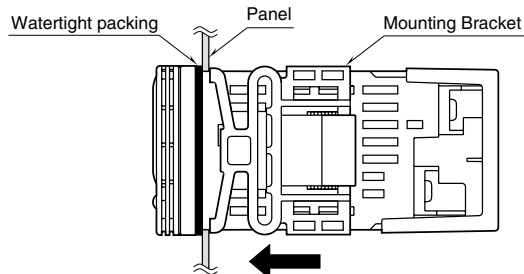


Panel thickness: 1.6 to 8.0 mm

■ HOW TO MOUNT THE UNIT ON A PANEL

The watertight packing must be in place to hold the meter. Do not remove it.

- 1) Insert the unit into the panel cutout.
- 2) Push the mounting brackets into the grooves on both sides of the rear module, until they hit the panel's rear side.

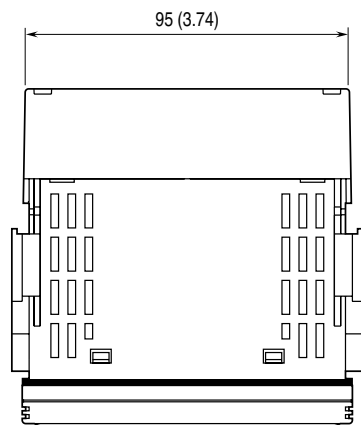


TERMINAL CONNECTIONS

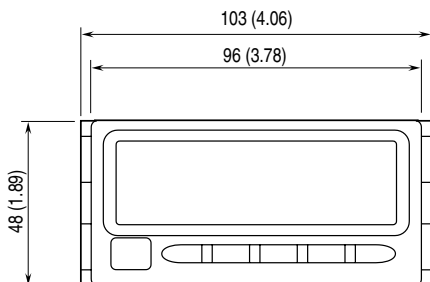
Connect the unit as in the diagram in the following page or refer to the connection diagram on the terminal cover.

■ EXTERNAL DIMENSIONS unit: mm (inch)

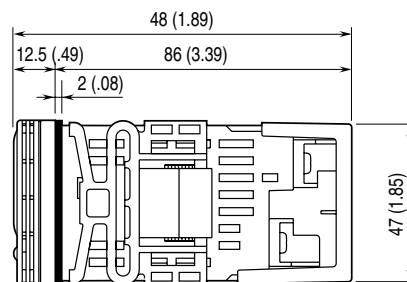
■ TOP VIEW



■ FRONT VIEW

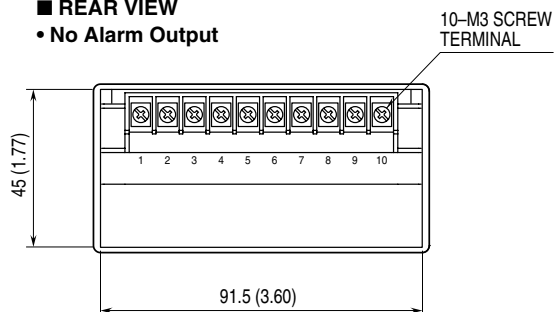


■ SIDE VIEW

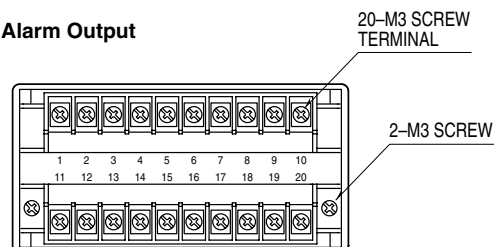


■ REAR VIEW

• No Alarm Output

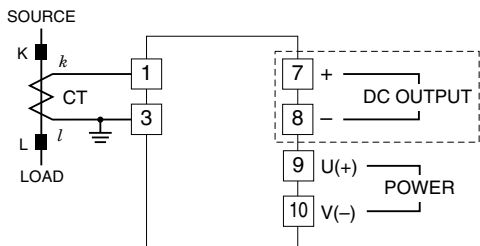


• Alarm Output

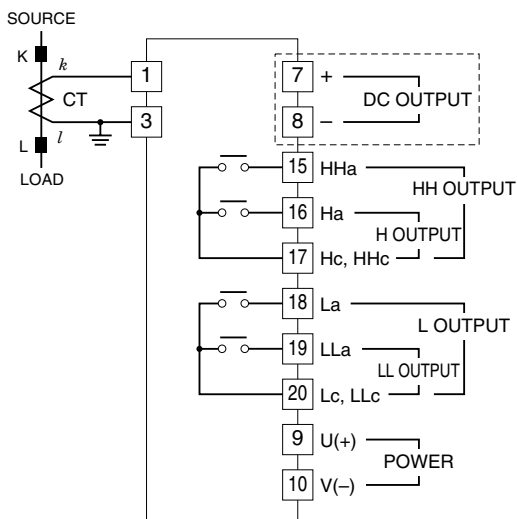


■ CONNECTION DIAGRAM

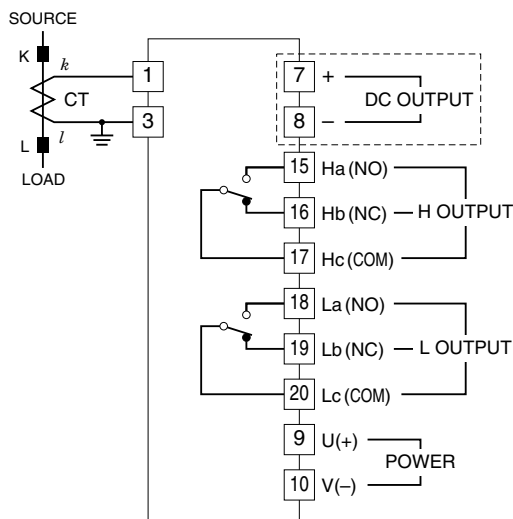
■ ALARM SUFFIX CODE 0: No alarm output



■ ALARM SUFFIX CODE 1: N.O. contact, 4 points

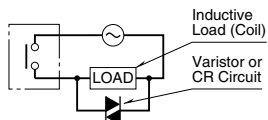


■ ALARM SUFFIX CODE 2: SPDT contact, 2 points

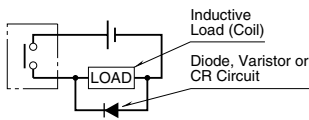


Note: The section enclosed by broken line is only with DC output option.

■ Relay Protection
• AC Powered



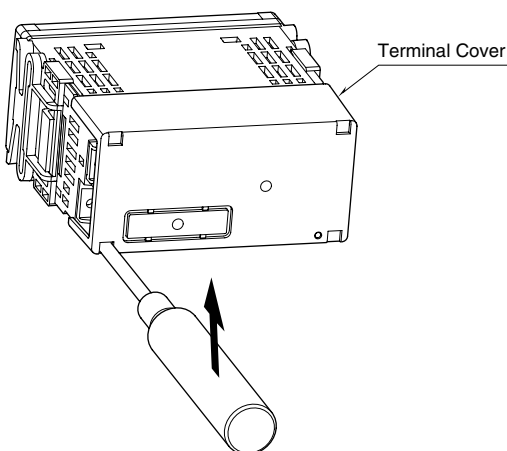
• DC Powered



■ TERMINAL BLOCK

• How to remove the terminal block cover

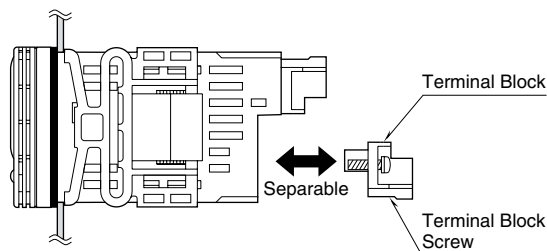
Insert the minus tip of a screwdriver into each hole at the four corners of the cover and pull it to the direction as indicated below to separate the terminal block cover.



• How to remove the terminal block

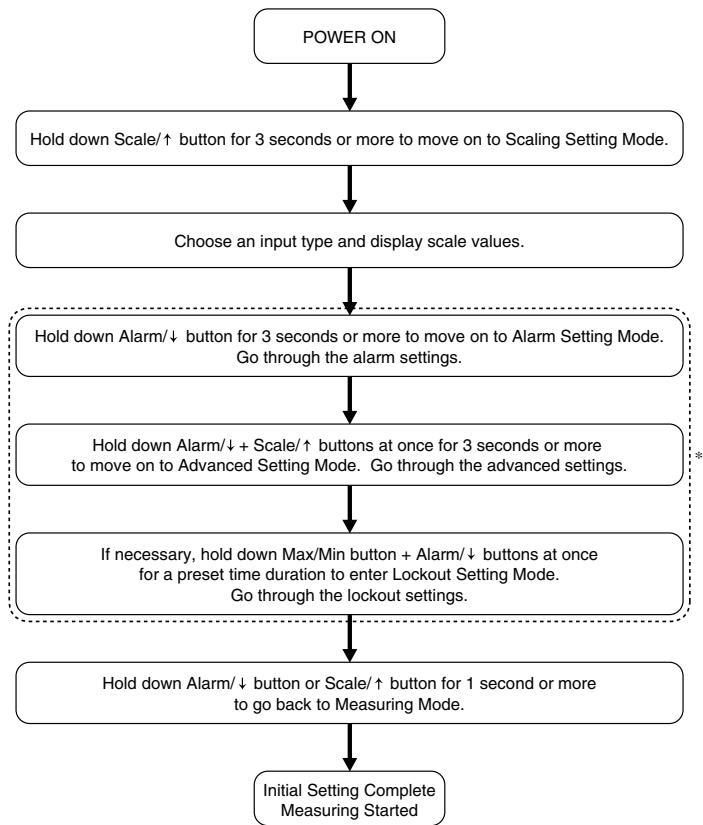
The lower terminal block is separable in two pieces. Loosen two screws on both sides of the terminal block to separate.

The upper terminal block is designed to be not separable in order to prevent open circuit at the CT secondary. Be sure to turn off the power supply, input signal and power supply to the output relays before separating the terminal block.



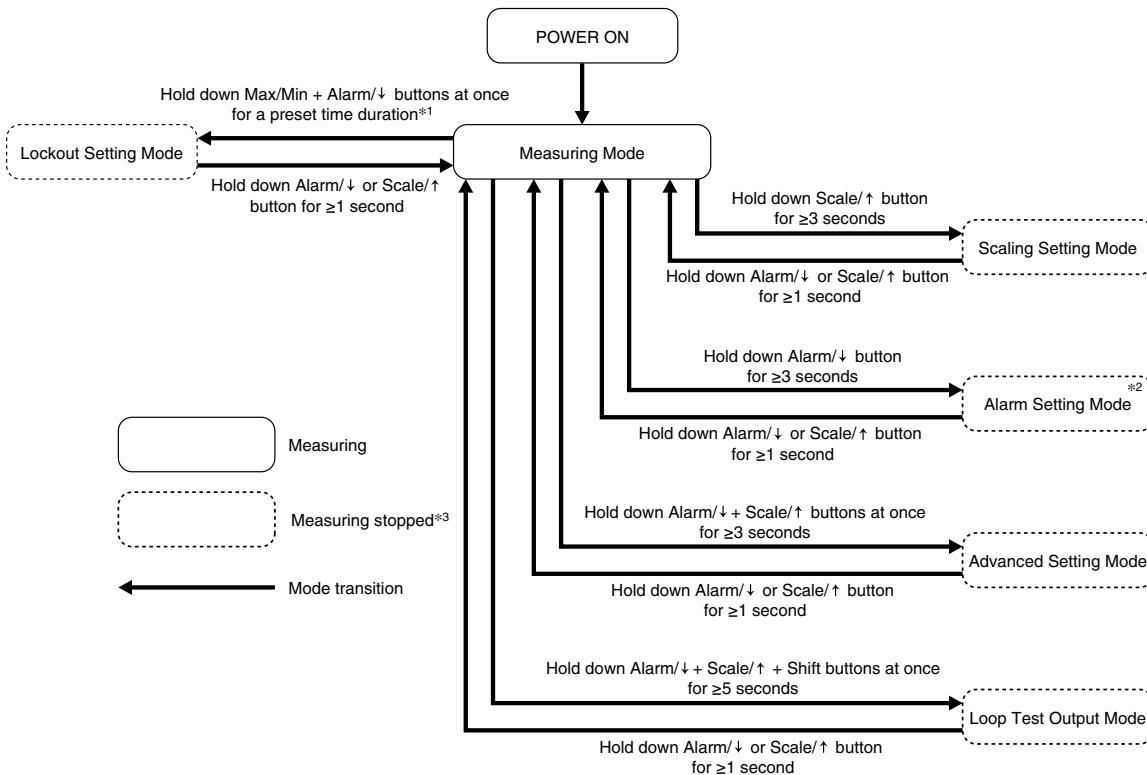
SETTING PROCEDURE


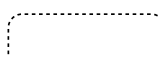

■ INITIAL SETTING FLOWCHART



*1. Optional settings for parameters in a broken-line section.
Alarm Setting Mode is locked with no-alarm-output type.

■ GENERAL SETTING FLOWCHART



 Measuring
 Measuring stopped*3
 Mode transition

*1. Preset time can be specified with "Transition Time to Lockout Setting Mode" in Advanced Setting Mode.

*2. Alarm Setting Mode is locked with no-alarm-output type.

*3. The last measured values or status are held for DC and alarm outputs while the measuring is stopped. (Except the analog output adjustments during the loop test and the scaling)

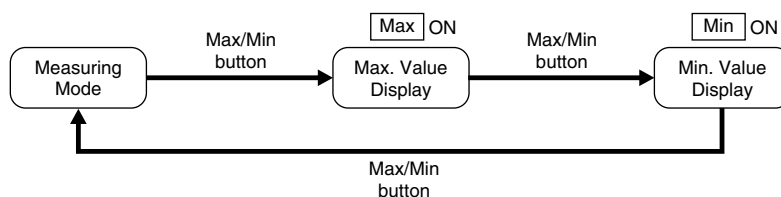
■ OPERATIONS IN MEASURING MODE

• Switching the main display to MAX or MIN values

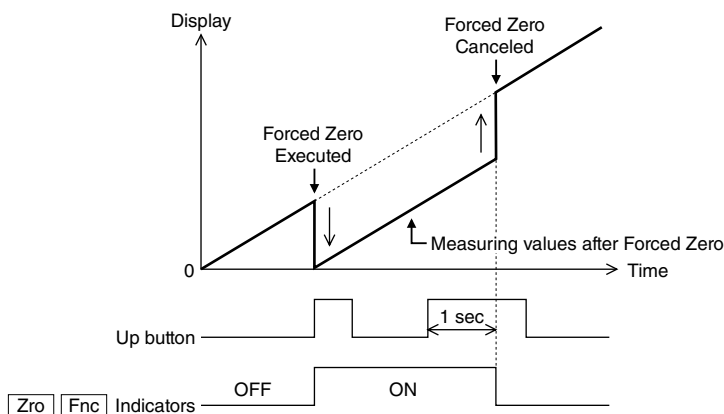
Press Max/Min button to switch the main display to MAX or MIN values.

'Max' or 'Min' indicator turns on during the MAX/MIN display mode.

Press Max/Min button again for 1 second or more, or turn the power supply off and on to cancel the MAX/MIN display mode.



• Forced Zero



Press Up button to shift the present display value to 0 and to continue measuring in reference to this point.

'Zro' and 'Fnc' indicators turn on during the Forced Zero mode.

Press Up button again for 1 second or more to cancel the mode.

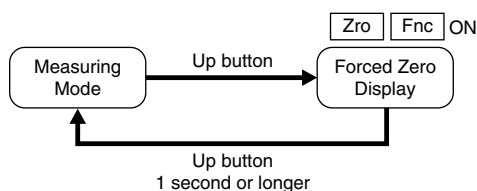
Forced Zero is effectively used when '0' is within the scaled range.

The command cannot be executed when the operation is prohibited with the lockout protection setting.

MAX/MIN display mode cannot be cancelled while in the Forced Zero mode.

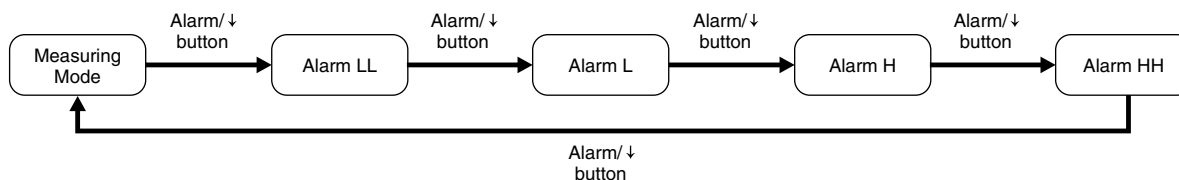
Forced Zero cannot be cancelled while in the MAX/MIN display mode.

Forced Zero value is stored in memory even when the power is removed.



• Confirming alarm setpoints

Press Alarm/↓ button to confirm alarm setpoints.



■ OPERATIONS IN SETTING MODES

• Main display

The main display shows the current settings while the panel meter is in the setting mode.

• Shifting through setting parameters

In any setting mode, pressing Alarm/↓ button shifts one parameter to the next. Pressing Scale/↑ button shifts one to the previous.

• Changing parameters

Pressing Shift button while one of the parameter settings is indicated on the display shifts the panel meter into the setting standby mode. The digit to which you can apply changes starts blinking.

Press Up button to change the blinking value.

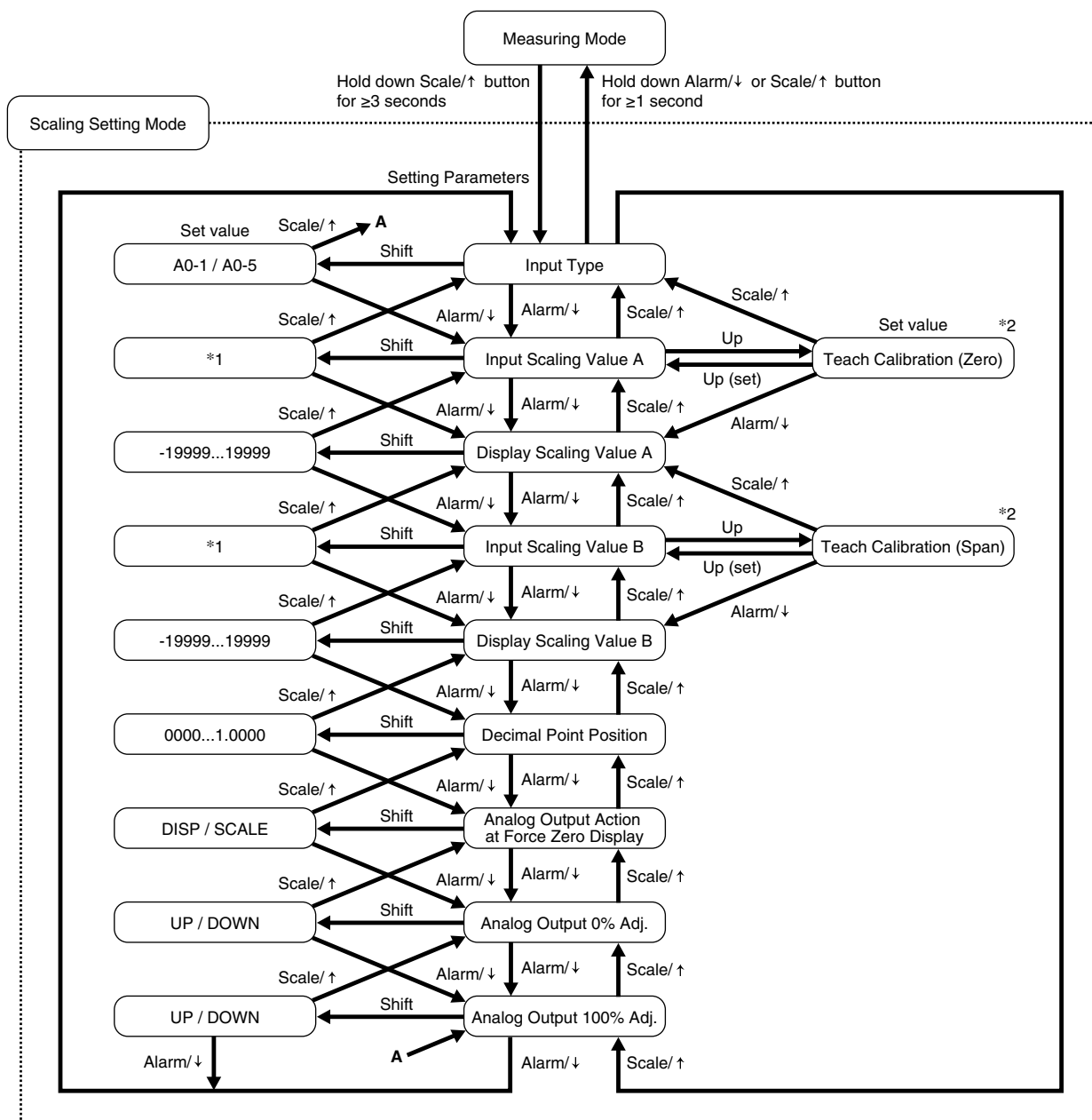
Press Shift button to go to the next digit.

Press Alarm/↓ or Scale/↑ button to apply the new value and go to the next or previous parameter setting.

• If you get lost...

Hold down Max/Min button for 1 second or more to return to the measuring mode without applying the last changes. (Those which have been already applied by pressing Alarm/↓ or Scale/↑ button are not cancelled.)

■ SCALING SETTING MODE



*1. Depends upon model suffix code. Refer to the following parameter list.

*2. Refer to Teach Calibration for detailed procedures.

PARAMETER	INDICATORS	DISPLAY	FUNCTION	DEFAULT VALUE	
Input type	[Zro] [Spn]	RD-1	Measuring range 0 to 1A	RD-5	
		RD-5	Measuring range 0 to 5A		
Input scaling value A	[Zro] [Tch]	RD-1	0 ... 1000	Input value for Zero point: Set to a specific value by using the buttons, or by Teach Calibration	0.000
		RD-5	0 ... 5000		
Display scaling value A	[Zro] [D/P]	- 19999 ... 19999	Display value for Input Scaling Value A	0.000	
Input scaling value B	[Spn] [Tch]	RD-1	0 ... 1000	Input value for Full-scale point: Set to a specific value by using the buttons, or by Teach Calibration	5.000
		RD-5	0 ... 5000		
Display scaling value B	[Spn] [D/P]	- 19999 ... 19999	Display value for Input Scaling Value B	5.000	
Decimal point position	[D/P]	4 positions or none	Decimal point position	0.000	
Analog output action	[Fnc]	d, SP	Proportional to the display value	d, SP	
		SCALE	Proportional to the scaling value		
Analog output 0% adjustment	[Zro] [Fnc]	UP (increasing)	Analog output 0% adjustment: adjustable range -5 to 105%	Adj	
		dO _U n (decreasing)			
Analog output 100% adjustment	[Spn] [Fnc]	UP (increasing)	Analog output 100% adjustment: adjustable range -5 to 105%	Adj	
		dO _U n (decreasing)			

Scaling setting:

The 0% and 100% of the measurement range can be set to the desired values by setting parameters.

Note: After initialization, the parameters will return to the default values.

Input Scaling Value A

Enter the desired zero value (0%). (Input scaling value A < Input scaling value B)

Input Scaling Value B

Enter the desired full scaling value (100%).

Note: For setting input scaling value A and B, proceed with the same method. The combination of inputting parameter and Teach Calibration is unable.

For product version 1.04 or earlier;

Input Scaling Value A

"0.0" is displayed as factory default setting or after initialization. For setting desired input scaling value A, calculate by using the formula shown below. (Input scaling value A < Input scaling value B)

(Example)

Input type: 0 to 5A

Input scaling: 4 to 5

$$\begin{array}{l} 4 + (5 \times (5 / 100)) = 4.25 \\ \text{(Zero value)} \quad \text{(5\% value of full scale of input type 0 to 5A)} \end{array}$$

Input Scaling Value B

Enter the desired full scaling value (100%).

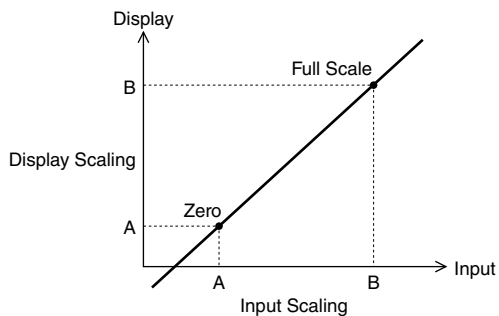
Decimal point position: Decimal point position is specified independently from the scaling. When you set the display scaling, include zeros for fractions (10000 to show 10.000).

Analog output: When the forced zero or low-end cutout is ON, the analog output is proportional to the display value.

Analog output 0% / 100% adjustment: Pressing [Shift] button switches the signal to increase or decrease, and then pressing [Up] button controls it toward the desired output value. 0% value < 100% value

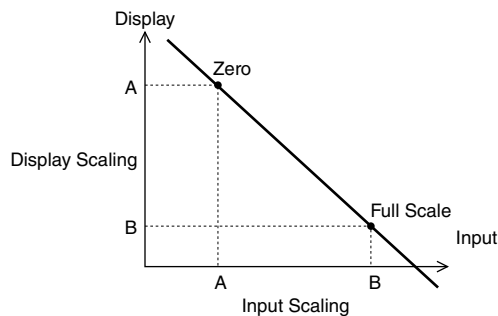
• **Normal Scaling**

The display value increases when the input signal increases.



• **Inverted Scaling**

The display value decreases when the input signal increases.



• **'Teach' Calibration**

'Input scaling value A' and 'Input scaling value B' can be adjusted by applying actual input signals. These settings will be lost after an initialization.

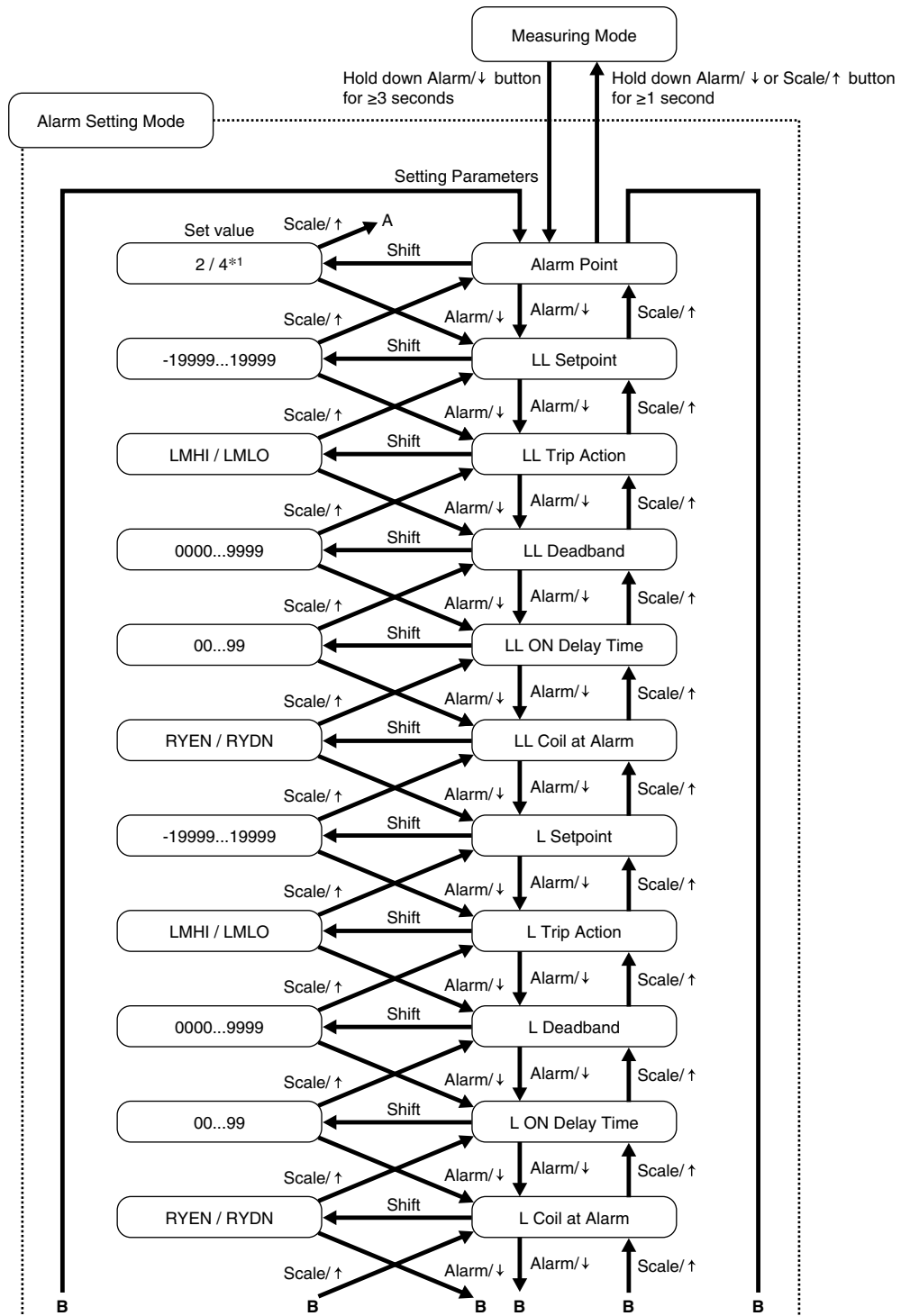
How to 'Teach' Input Values

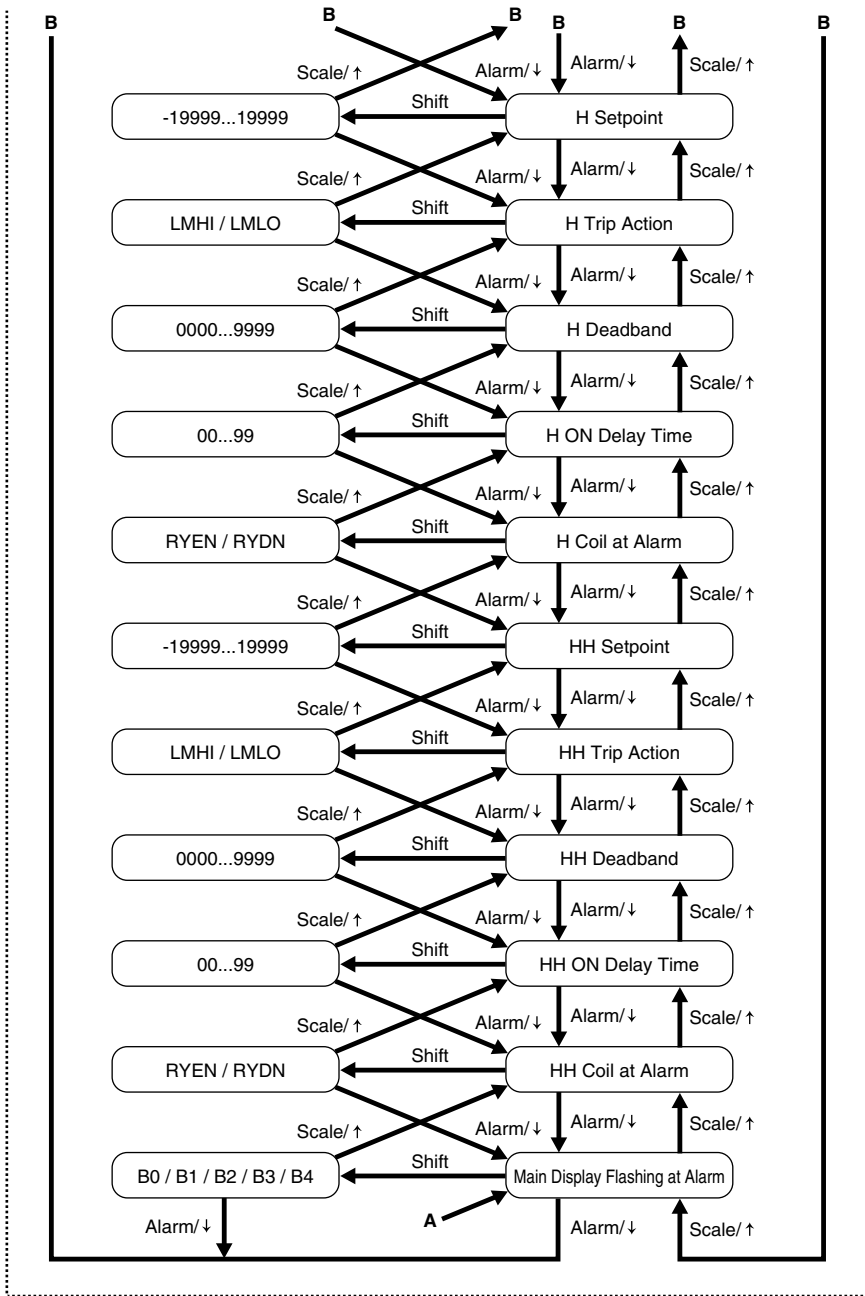
- 1) Hold down Scale/↑ button for 3 seconds or more to enter the scaling setting mode.
- 2) Choose an appropriate input type and press Alarm/↓ button to move on to Input scaling value A.
- 3) 'Zro' and 'Tch' indicators turn on.
- 4) Zero point: Press Up button and 'Tch' indicator starts blinking.
- 5) Apply 5% input signal. Press Up button again and 'Tch' indicators returns to ON.
- 6) Press Alarm/↓ button to move on to Display scaling value A.
- 7) Press Alarm/↓ button again to move on to Input scaling value B.
- 8) 'Spn' and 'Tch' indicators turn on.
- 9) Full-scale point: Press Up button and 'Tch' indicator starts blinking.
- 10) Apply 100% input signal. Press Up button again and 'Tch' indicators returns to ON.

Note 1: For setting input scaling value A and B, proceed with the same method. The combination of inputting parameter and Teach Calibration is unable.

Note 2: The Teach Calibration is a function to calibrate by applying actual input signal of 5% and 100%. The error might increase depending on the way of the Teaching Calibration.

■ ALARM SETTING MODE





*1. Alarm point is fixed at "2" when the alarm model suffix code 2 is specified.

PARAMETER	INDICATORS	DISPLAY	FUNCTION	DEFAULT VALUE
Alarm points	<input type="checkbox"/> H <input type="checkbox"/> L <input type="checkbox"/> Fnc	<i>RLn2</i>	Dual alarm: L, H	<i>RLn2</i>
	<input type="checkbox"/> HH <input type="checkbox"/> H <input type="checkbox"/> L <input type="checkbox"/> LL <input type="checkbox"/> Fnc	<i>RLn4</i>	Quad alarm: LL, L, H, HH	<i>RLn4</i>
LL setpoint	<input type="checkbox"/> LL <input type="checkbox"/> Fnc	- 19999 ... 99999	LL: Setpoint value	1000
LL trip action	<input type="checkbox"/> LL <input type="checkbox"/> Fnc	<i>LnHi</i>	LL: Hi trip	<i>LnLo</i>
		<i>LnLo</i>	LL: Lo trip	
LL deadband (hysteresis)	<input type="checkbox"/> P <input type="checkbox"/> LL <input type="checkbox"/> Fnc	0000 ... 9999	LL: Deadband (hysteresis) value	0001
LL ON delay time	<input type="checkbox"/> LL <input type="checkbox"/> D/P <input type="checkbox"/> Fnc	00 ... 99	LL: ON delay time (seconds)	00
LL coil at alarm	<input type="checkbox"/> LL <input type="checkbox"/> Fnc	<i>rYEn</i>	LL: Coil energized at alarm	<i>rYEn</i>
		<i>rYdn</i>	LL: Coil de-energized at alarm	
L setpoint	<input type="checkbox"/> L <input type="checkbox"/> Fnc	- 19999 ... 99999	L: Setpoint value	2000
L trip action	<input type="checkbox"/> L <input type="checkbox"/> Fnc	<i>LnHi</i>	L: Hi trip	<i>LnLo</i>
		<i>LnLo</i>	L: Lo trip	
L deadband (hysteresis)	<input type="checkbox"/> P <input type="checkbox"/> L <input type="checkbox"/> Fnc	0000 ... 9999	L: Deadband (hysteresis) value	0001
L ON delay time	<input type="checkbox"/> L <input type="checkbox"/> D/P <input type="checkbox"/> Fnc	00 ... 99	L: ON delay time (seconds)	00
L coil at alarm	<input type="checkbox"/> L <input type="checkbox"/> Fnc	<i>rYEn</i>	L: Coil energized at alarm	<i>rYEn</i>
		<i>rYdn</i>	L: Coil de-energized at alarm	
H setpoint	<input type="checkbox"/> H <input type="checkbox"/> Fnc	- 19999 ... 99999	H: Setpoint value	3000
H trip action	<input type="checkbox"/> H <input type="checkbox"/> Fnc	<i>HnHi</i>	H: Hi trip	<i>HnHi</i>
		<i>HnLo</i>	H: Lo trip	
H deadband (hysteresis)	<input type="checkbox"/> P <input type="checkbox"/> H <input type="checkbox"/> Fnc	0000 ... 9999	H: Deadband (hysteresis) value	0001
H ON delay time	<input type="checkbox"/> H <input type="checkbox"/> D/P <input type="checkbox"/> Fnc	00 ... 99	H: ON delay time (seconds)	00
H coil at alarm	<input type="checkbox"/> H <input type="checkbox"/> Fnc	<i>rYEn</i>	H: Coil energized at alarm	<i>rYEn</i>
		<i>rYdn</i>	H: Coil de-energized at alarm	
HH setpoint	<input type="checkbox"/> HH <input type="checkbox"/> Fnc	- 19999 ... 99999	HH: Setpoint value	4000
HH trip action	<input type="checkbox"/> HH <input type="checkbox"/> Fnc	<i>HnHi</i>	HH: Hi trip	<i>HnHi</i>
		<i>HnLo</i>	HH: Lo trip	
HH deadband (hysteresis)	<input type="checkbox"/> P <input type="checkbox"/> HH <input type="checkbox"/> Fnc	0000 ... 9999	HH: Deadband (hysteresis) value	0001
HH ON delay time	<input type="checkbox"/> HH <input type="checkbox"/> D/P <input type="checkbox"/> Fnc	00 ... 99	HH: ON delay time (seconds)	00
HH coil at alarm	<input type="checkbox"/> HH <input type="checkbox"/> Fnc	<i>rYEn</i>	HH: Coil energized at alarm	<i>rYEn</i>
		<i>rYdn</i>	HH: Coil de-energized at alarm	
Main display flashing at alarm	<input type="checkbox"/> Fnc	<i>b 0</i>	No flashing	<i>b 0</i>
		<i>b 1</i>	Flashing in 1.0 sec. intervals	
		<i>b 2</i>	Flashing in 0.5 sec. intervals	
		<i>b 3</i>	Flashing in 0.2 sec. intervals	
		<i>b 4</i>	Flashing in 0.1 sec. intervals	

Note 1: Alarm Setting Mode is locked with no-alarm-output type.

Alarm points depend upon the model suffix code. LL and HH setpoints are usable only for quad alarm type.

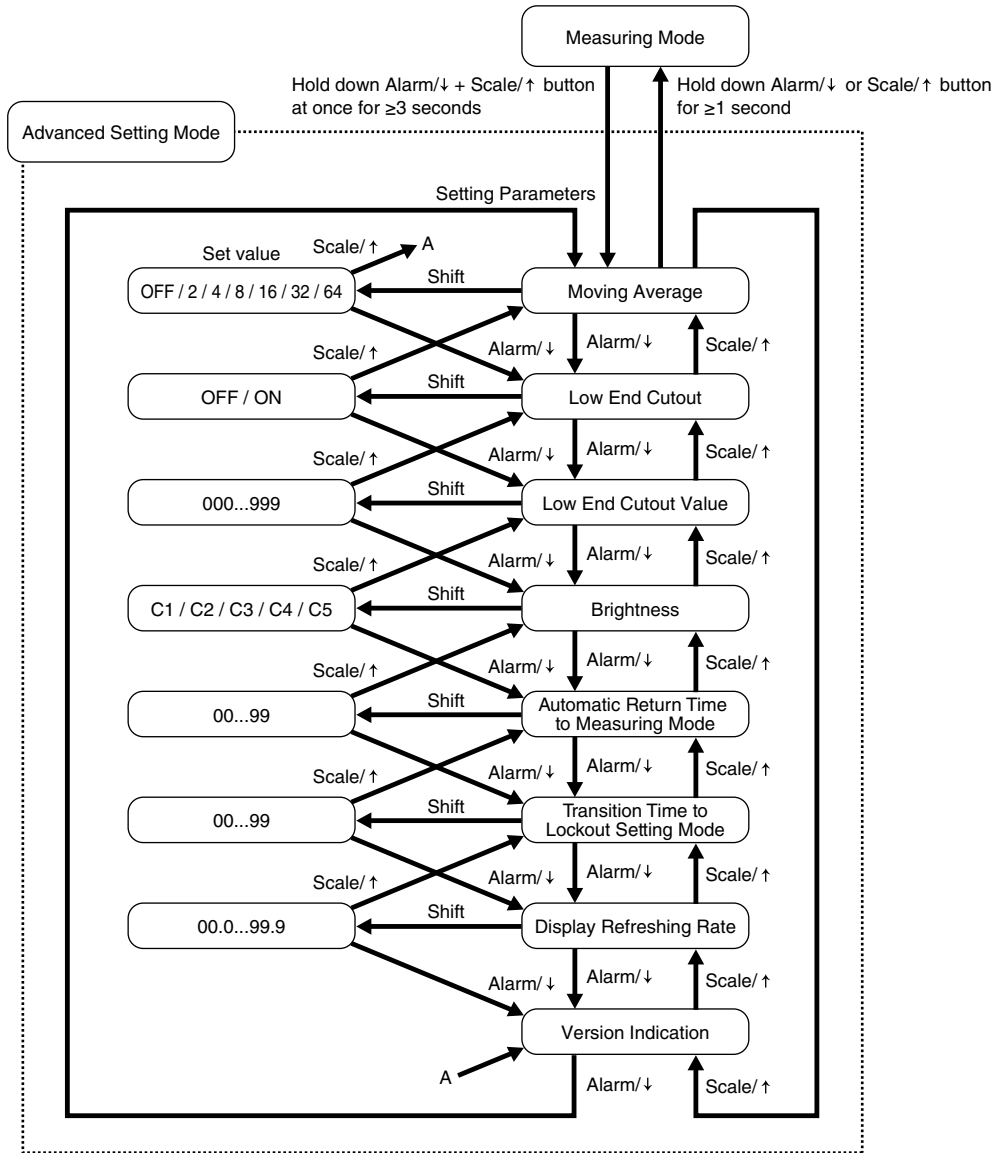
Note 2: LED status: = ON, = Blinking

Note 3: Specify setpoint and deadband in the scaled range values. Alarm is disabled when '----' is specified for the setpoint.

Note 4: All alarm setpoints are disabled (reset to '----' status) when the input type has been changed. Re-setting is required.

Note 5: Decimal point is not indicated when setting deadband values.

■ ADVANCED SETTING MODE



PARAMETER	INDICATORS	DISPLAY	FUNCTION	DEFAULT VALUE
Moving average	[Fnc]	RoFF	No moving averaging	RoFF
		R 2	Moving average with 2 samples	
		R 4	Moving average with 4 samples	
		R 8	Moving average with 8 samples	
		R 16	Moving average with 16 samples	
		R 32	Moving average with 32 samples	
Low-end cutout	[Fnc]	oFF	Low-end cutout OFF	o n
		o n	Low-end cutout ON	
Low-end cutout value	[Zro] [Fnc]	o000 ... o999	Low-end cutout value setting	o250
Brightness	[D/P] [Fnc]	[1	Brightness level 1 (dark)	[3
		[2	Brightness level 2	
		[3	Brightness level 3	
		[4	Brightness level 4	
		[5	Brightness level 5 (bright)	
Automatic return time to Measuring Mode	[D/P] [Fnc]	r 00 ... r 99	Specify in seconds	r 15
Transition time to Lockout Setting Mode	[D/P] [Fnc]	P 00 ... P 99	Specify in seconds	P 05
Display refreshing rate *1	[Fnc]	F000 ... F999	Specify in seconds	F000
Version indication	[Fnc]	N/A	Version number, indication only	N/A

Low-end cutout: Input signal below the preset cutout value is forcibly cut to 0.

Set for the three lowest digits of the scaled range (disregarding the decimal point)

With the cutout set to OFF, the low-end cutout value setting is locked.

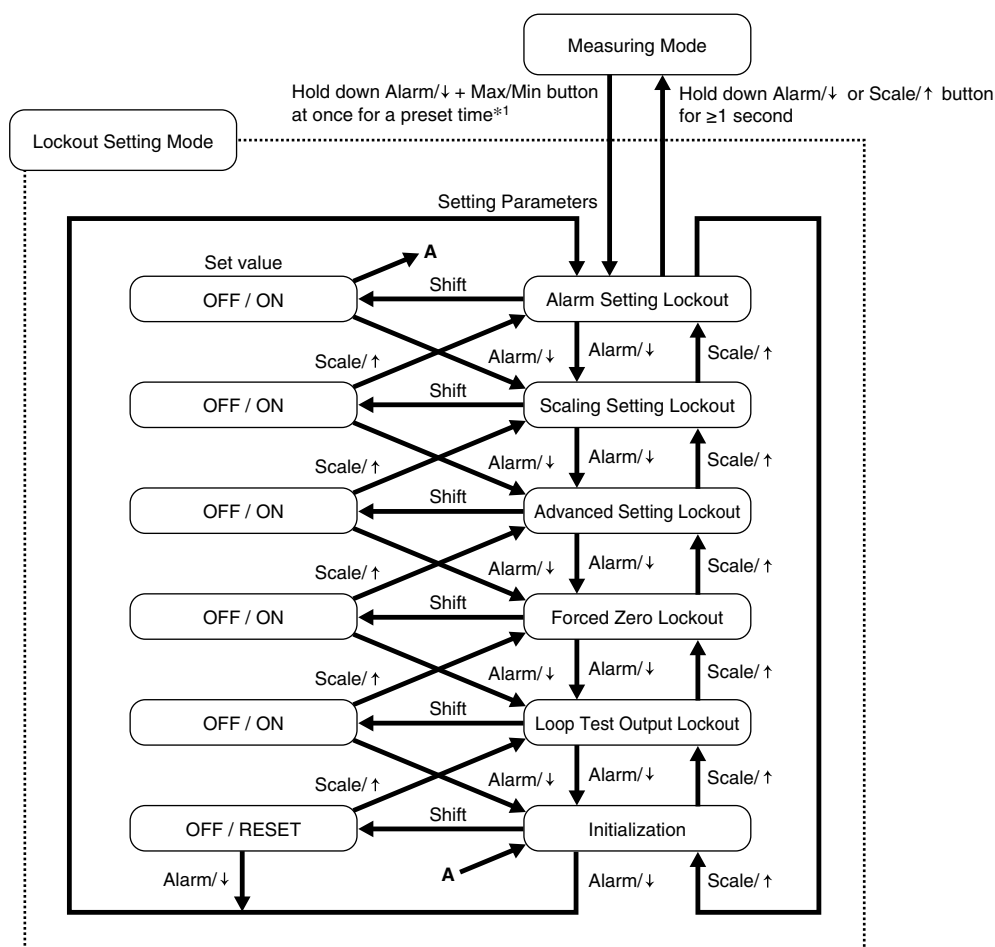
Automatic return time to Measuring Mode: The display goes back automatically to Measuring Mode if the front buttons are left untouched for the specified time period while it is in one of the setting modes (except the loop test output mode).

With this value set to 0, the display must always be exited manually from the setting mode.

Transition time to Lockout Setting Mode: The display goes to Lockout Setting Mode only when the designated buttons are pressed for the specified time duration.

*1. F00.0 = 25 msec. refreshing rate

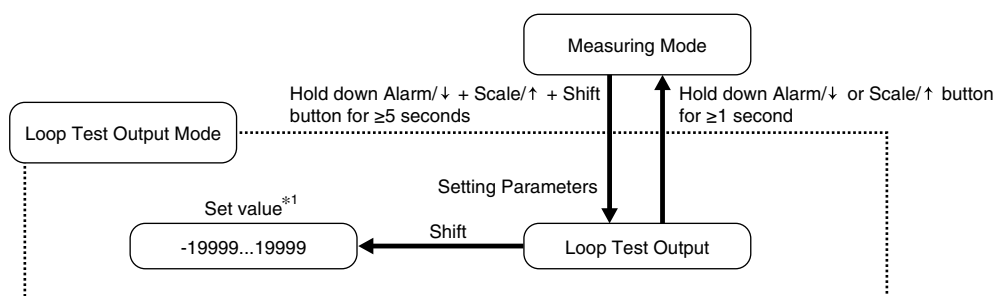
■ LOCKOUT SETTING MODE



*1. Preset time can be specified with "Transition Time to Lockout Setting Mode" in Advanced Setting Mode.

PARAMETER	INDICATORS	DISPLAY	FUNCTION	DEFAULT VALUE
Alarm setting lockout	D/P Fnc	RoFF	Unlock Alarm Setting Mode	RoFF
		R on	Lock Alarm Setting Mode	
Scaling setting lockout	D/P Fnc	SoFF	Unlock Scaling Setting Mode	SoFF
		S on	Lock Alarm Setting Mode	
Advanced setting lockout	D/P Fnc	doFF	Unlock Advance Setting Mode	doFF
		d on	Lock Advanced Setting Mode	
Forced zero lockout	D/P Fnc	≡oFF	Unlock (Enable) Forced Zero operation	≡oFF
		≡ on	Lock (Disable) Forced Zero operation	
Loop test output lockout	D/P Fnc	toFF	Unlock Loop Test Output Mode	toFF
		t on	Lock Loop Test Output Mode	
Initialization	D/P Fnc	roFF	Initialization prohibited	roFF
		rESt	Execute Initialization	

■ LOOP TEST OUTPUT MODE



*1. Hold down Alarm/↓ or Scale/↑ button for ≥1 second to return to the measuring mode while setting parameters.

PARAMETER	INDICATORS	DISPLAY	FUNCTION	DEFAULT VALUE
Loop test output	<div style="display: flex; flex-wrap: wrap; gap: 5px;"> Zro Spn D/P </div> <div style="display: flex; flex-wrap: wrap; gap: 5px;"> Tch Fnc </div> <div style="display: flex; flex-wrap: wrap; gap: 5px;"> Min / Max </div>	- 19999 ... 19999*1 (display blinking)	Scaling value for the loop test output	N/A

Loop test output: Pressing [Shift] button switches the signal to increase ([Max] ON) or decrease ([Min] ON), and then pressing [Up] button controls it toward the desired output value.

Alarm trip functions according to the scaling values during the loop test.

*1. The specified decimal point position is applied to the loop test output value. -19999 to 19999 when 'No decimal fraction' is specified.

ERROR MESSAGES

MAIN DISPLAY	ERROR MESSAGE	WHAT TO DO
5Err	Input error, Out of the measuring range	Increase/decrease the input signal until it is back within the measuring range.
1Err	Non-volatile memory error (reading)	While the error message is on the display, press Up button for 3 seconds or more, go to the lockout setting mode and initialize the unit to its factory default status.*1
4Err	Non-volatile memory error (writing)	
rErr	Internal data error	Repair is needed if the display does not recover after the power is reset.

*1. If the unit does not recover its function after the initialization, repairing in the factory may be required.

CHARACTER SET

0	1	2	3	4	5	6	7	8	9	-	A	B	C	D	E	F	G	H	I	J	K	L	M	N	O	P	Q	R	S	T	U	V	W	X	Y	Z
0	1	2	3	4	5	6	7	8	9	-	A	b	C	d	E	F	G	H	,	J	K	L	ñ	o	P	q	r	S	t	U	u	Y	z	;		

LIGHTNING SURGE PROTECTION

M-System offers a series of lightning surge protectors for protection against induced lightning surges. Please contact M-System to choose appropriate models.

M-SYSTEM WARRANTY

M-System warrants such new M-System product which it manufactures to be free from defects in materials and workmanship during the 36-month period following the date that such product was originally purchased if such product has been used under normal operating conditions and properly maintained, M-System's sole liability, and purchaser's exclusive remedies, under this warranty are, at M-System's option, the repair, replacement or refund of the purchase price of any M-System product which is defective under the terms of this warranty. To submit a claim under this warranty, the purchaser must return, at its expense, the defective M-System product to the below address together with a copy of its original sales invoice.

THIS IS THE ONLY WARRANTY APPLICABLE TO M-SYSTEM PRODUCT AND IS IN LIEU OF ALL OTHER WARRANTIES, EXPRESS OR IMPLIED, INCLUDING ANY IMPLIED WARRANTIES OF MERCHANTABILITY OR FITNESS FOR A PARTICULAR PURPOSE. M-SYSTEM SHALL HAVE NO LIABILITY FOR CONSEQUENTIAL, INCIDENTAL OR SPECIAL DAMAGES OF ANY KIND WHATSOEVER.

M-System Co., Ltd., 5-2-55, Minamitsumori, Nishinari-ku, Osaka 557-0063 JAPAN, Phone: (06) 6659-8201, Fax: (06) 6659-8510, E-mail: info@m-system.co.jp